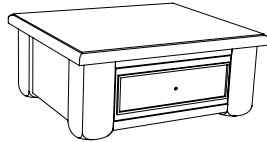


P O T T E R Y B A R N

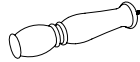
Caroline Small Nightstand Assembly Instructions

- Please read all instructions before beginning assembly.
- For your safety and convenience, assembly by two people is recommended.
- Use the parts and hardware lists to identify and separate each of the components included.
- Save all packing materials until assembly is complete to avoid the accidental discarding of smaller parts or hardware

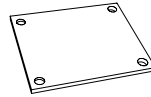
PARTS:



(1) Top - A



(4) Post - B



(1) Shelf - C



(4) Foot - D



(1) Knob - E

Assembly Instructions:

1. Carefully lay Top (A) upside down on a carpeted or scratch-free surface.
2. Attach the Posts (B) to the bottom of Top (A) by turning and screwing Post (B) into the bottom of Top . (Fig.1)
3. Align shelf panel (C) to bottom of Post (B), insert Foot (D) into the hole on the corner of shelf and finally into the bottom of Post (B) then turning and screwing foot (D) into the bottom of Post (B).

Fig. 1

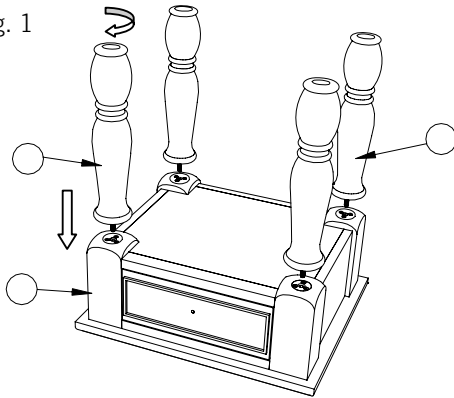
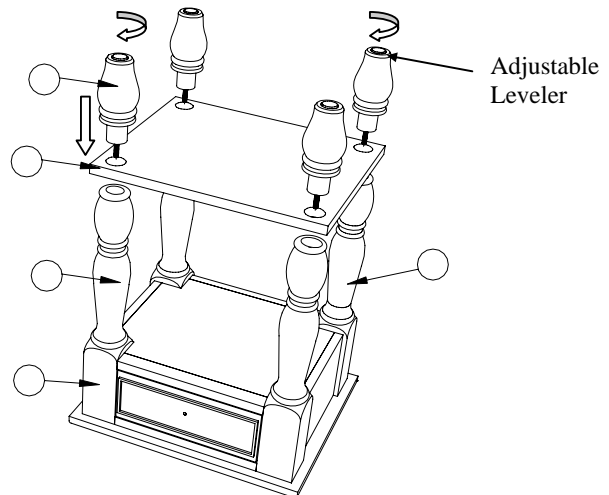
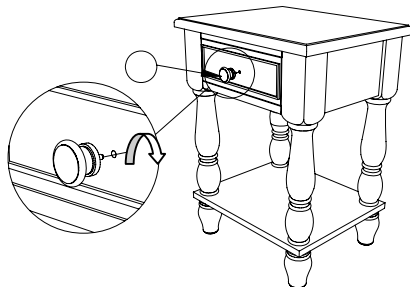


Fig. 2



4. Grip nightstand firmly and carefully turn upright. Attach Knob (E) to drawer by turning and screwing knob into the front of drawer. (Fig.3)

Fig. 3



5. If needed, adjust the recessed lellers located underneath each leg. Turn the lellers until adequate contact is made with the floor. (Fig.2)
6. Assembly is complete.

Care Instructions:

- Dust with a clean, soft damp cloth and wipe dry immediately.
- Avoid the use of chemicals and harsh cleaning agents.

thank you for your purchase
stores | catalog | www.potterybarn.com