

P O T T E R Y B A R N

Hyde Occasional Console Assembly Instructions

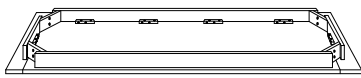
- Please read all instructions before beginning assembly.
- For your safety and convenience, assembly by two people is recommended.
- Use the parts and hardware lists to identify and separate each of the components included.
- Save all packing materials until assembly is complete to avoid the accidental discarding of smaller parts or hardware.

TOOLS:

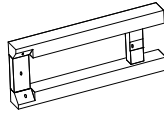


(1) Allen Key

PARTS:



(1) Table Top with Apron - A



(2) End Leg Frame -B



(1) Stretcher - C

HARDWARE:



(4) Long Bolts: (5/16" Dia * 1-3/4" L) -a



(2) Short Bolts: (5/16" Dia * 1-1/2") -b



(2) U-Washers (Ø5/16") -c



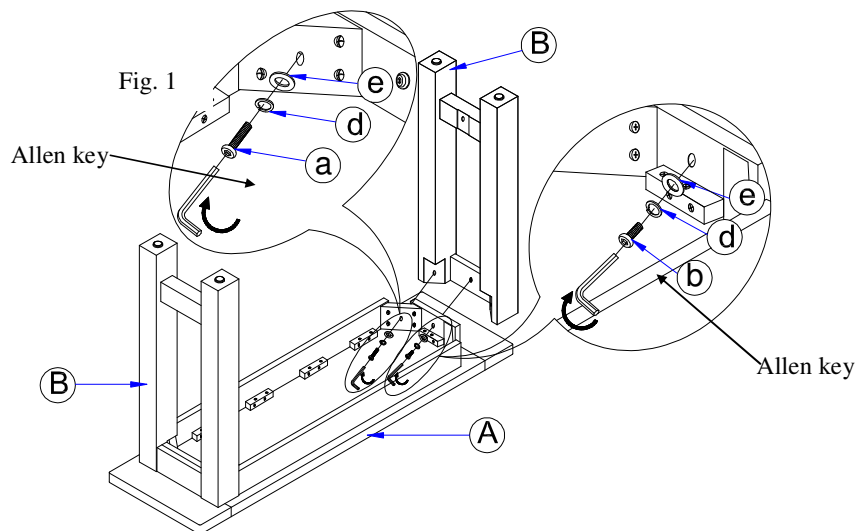
(6) Spring Washers (Ø5/16") -d



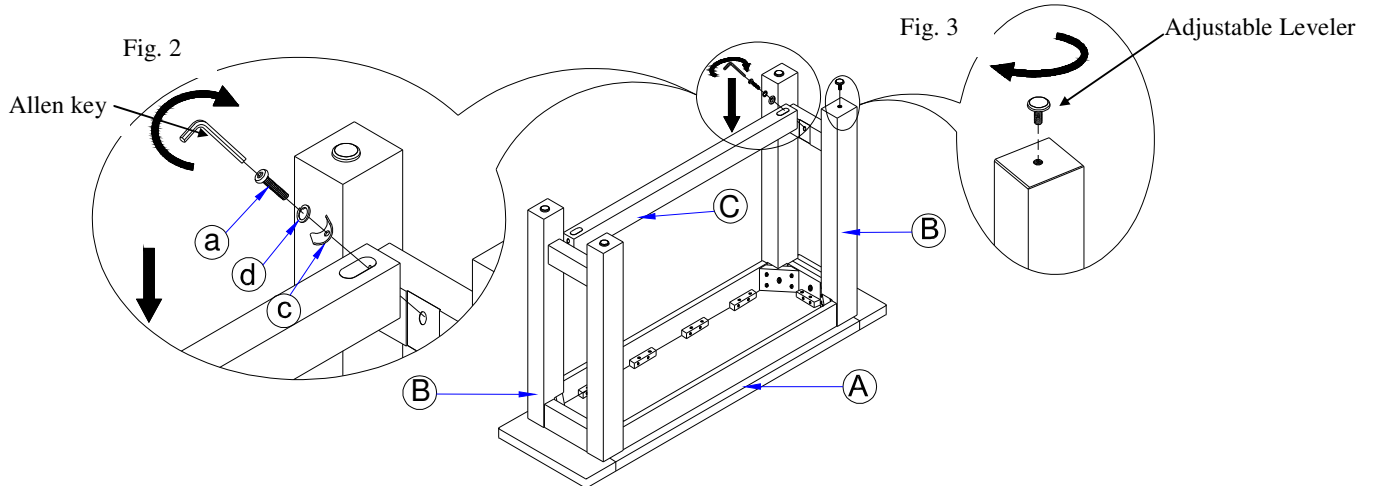
(4) Flat Washers (Ø5/16") -e

Assembly Instructions:

1. Carefully turn the Top with Apron upside down on a carpeted or scratch-free surface.
2. Loosely attach each End Leg Frame (B) to the Top with Apron (A) using long bolt (a), short bolt (b), spring washer (d) and flat washer (e) as shown in Fig. 1.



3. Insert the Stretcher (C) between the two End Leg Frames (B), then slide the long bolt (a) with spring washer (d) and U-washer (c) through the stretcher (C) into the predrilled hole on the bottom rail of leg frame (B). See Fig. 2.



4. Tighten all bolts securely by Allen key, but do not over tighten the bolts.
5. Turn the assembled console to the upright position.
6. Assembly is complete.

Adjusting Levels:

Due to an uneven floor the furniture may not sit level due causing it to wobbles. If the piece wobbles, determine which corner does not touch the ground correctly. With two people follow these steps:

1. Carefully lift the item slightly to provide access to the levelers attached to the bottom. (Fig. 3).
2. Turn the levelers until adequate contact will be made with the floor. Gently set down the piece and check stability.
3. Repeat steps until furniture sits firmly on the ground.

Care Instructions:

- Dust with a clean, soft damp cloth and wipe dry immediately.
- Avoid the use of chemicals and harsh cleaning agents.

thank you for your purchase.
stores | catalog | www.potterybarn.com