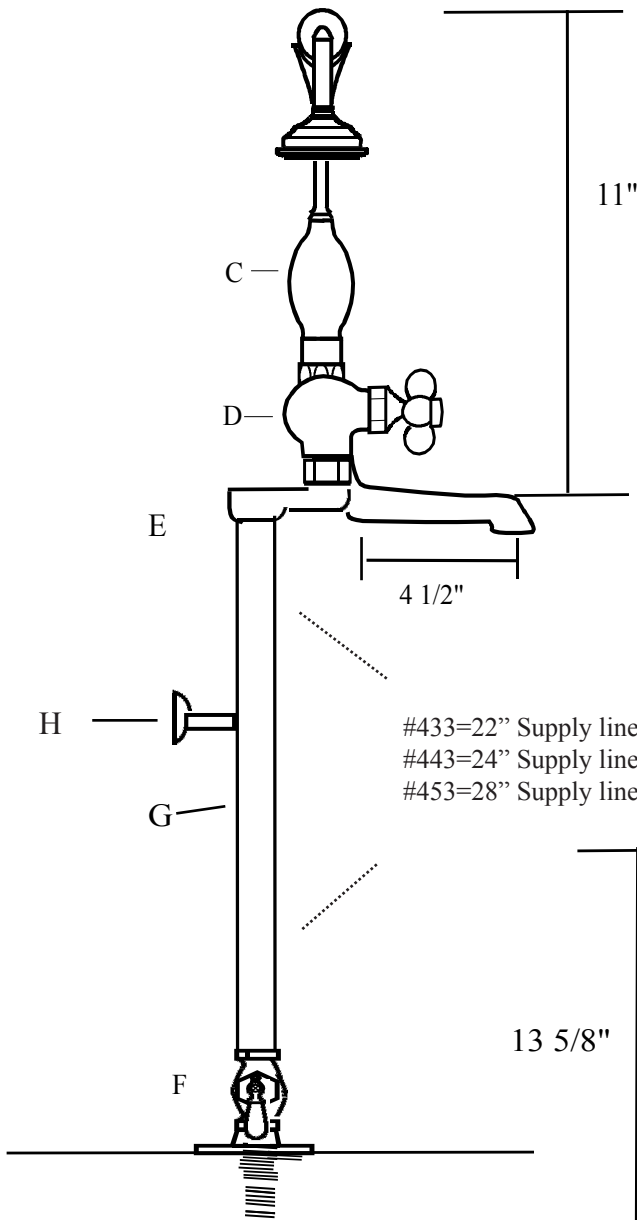


# SUNRISE

930 98th Ave., Oakland, CA 94603

(510) 729-7277

## #433,443,453 Floor mounted Tubfill/Handshower



#433=22" Supply lines  
#443=24" Supply lines  
#453=28" Supply lines

### PARTS LIST

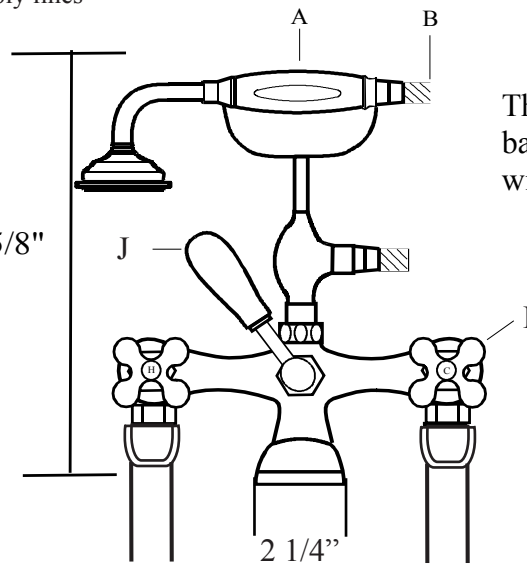
- A #413-5 Handshower Handle
- B #413-3 Handshower Hose
- C #533-5 Tee and Cradle
- D #533-4 Valve body with Spout
- E #433-1 2 1/2" Offset Shank
- F #424-2 Shut off valve
- G #433-5/6 Hot & cold supply lines 22"  
#443-5/6 Hot & cold supply lines 24"  
#453-5/6 Hot & cold supply lines 28"
- H #400-6 Adjustable wall bracket

### HANDLE PART NUMBERS

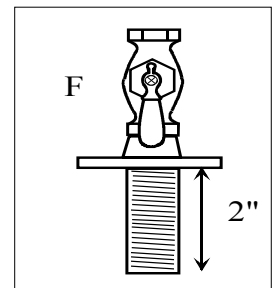
- I #18 Metal Cross Handles
- J #533-7 Diverter Handle

### REPLACEMENT PARTS:

- K #403-2 Hot valve
- L #403-1 Cold valve



This faucet features an integral backflow prevention. Provided with a 60" handshower hose.

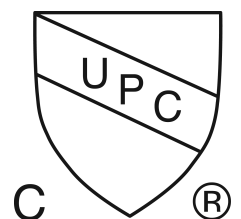


Nipples are not glued to shut off valves

All faucets are made of solid brass and are available in Protected Polished Brass, Unprotected Polished Brass, Polished Chrome, Polished Nickel, Brushed Nickel & Oil Rubbed Bronze.

For deck or wall mounted version specify #533.

All handles are interchangeable, you may substitute any handle style on any faucet.



Installation should be done by a licensed plumber or contractor and not by the homeowner.

Teflon tape (not included) is recommended for all threaded connections.

In case of blockage in a valve, remove the bonnet nut and cartridge, flush the valve, and put the bonnet nut and cartridge back in place.

Secure the supply lines "G" to the floor with lock nuts, washers, and screws.

Connect flexible supply hoses (not included) with ½" I.P.S. connections to the brass nipples under the floor.

Follow step (a) if a model 42 drain is present or step (b) if a model 48 drain is present.

(a) Slide the wall brackets "H" onto the supply lines "G" and tighten them down 18" above the floor. Drill screws through the wall flanges and into the wall.

(b) Slide the 433-8 bracket over the top of the supply lines "H" and overflow pipe. Tighten it down 12"-14" on the supply lines.

Thread the solid end of the shanks "E" onto the top of the supply lines.

Thread the nuts on the shanks onto the body "D" of the faucet.

Thread tee and cradle "C" onto body "D".

Thread the short nut of the handshower hose "B" onto the handshower valve.

Thread the long nut of the handshower hose "B" onto the handshower wand "A".

Shipping dimensions/weight:

Box 1: 18"x12"x9"/11 lbs.

Box 2: 36"x11"x6"/10 lbs.