

P O T T E R Y B A R N

Frameless mirror with shelf mounting instructions

Note:

This mounting hardware is meant for dry wall/stud mounting only. If walls are concrete, brick or plaster, please consult your local hardware store for assistance. For safety and ease of mounting, installation is recommended using two people. Do not use or attach wire for hanging the frameless mirror. It is meant to hang from the affixed keyholes on the back.

Note: MAXIMUM TOTAL WEIGHT CAPACITY IS 12 POUNDS (5.44 KG).

Tools Needed:

Level, Tape Measure, Stud Finder, #2 Phillips screwdriver, Pencil

Parts Included:

- (1) Frameless mirror
 - (1) Glass shelf
 - (2) Brackets
 - (2) Shelf screws
 - (2) Metal screws
 - (2) Dry Wall anchors (for dry wall only)
 - (2) Clear plastic washers
- For stud mounting the anchors are not required, use only the screws.

Assembly Instructions:

1. Secure glass shelf to brackets with shelf screws. Note: **In order to avoid mirror breakage, use a hand screw driver only.**
2. Place the **plastic washers between the bracket ends and mirror**. Secure brackets to the mirror with long screws.

Mounting Instructions:

1. Determine your desired hanging location. Measure the distance between the keyholes on the back of the mirror, making sure the measurements are taken from the centers of both keyholes.
2. Record this measurement on the wall with a pencil. Use a carpenter's level and a tape measure to ensure a level installation.
3. Stud mounting is always best, so try to position the keyholes over studs if possible. Use a stud finder to locate a stud in desired location. If any of the keyholes align with stud, use provided metal mounting screws. If there is no stud, the wall anchors/metal screws are both required.

Dry Wall Mounting

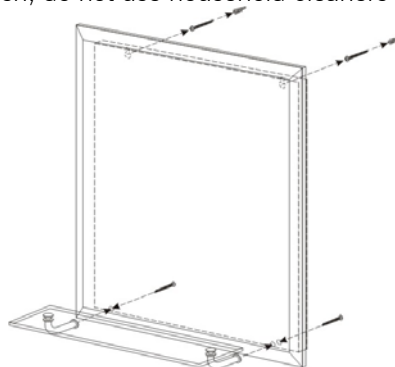
1. Use a Phillips screwdriver to insert the wall anchors. Do not "push" or drive the anchors into the wall. They are designed to bore into the wall like a drill bit. Slowly turn the anchors clockwise while applying pressure until the flange just touches the wall.
2. Insert the metal screw into the wall anchor turning clockwise leaving approximately ½" between the back of the screw head and the wall.
3. Align the keyholes over the screw heads. Slide the mirror down until the tops of the keyholes rest on the screws. Tighten or loosen screws as needed to fit the mirror snugly against the wall.

Stud Mounting

1. With a Phillips screwdriver (or drill) insert metal screws into the stud clockwise until tight.
2. Align the keyholes over screw heads. Slide the mirror down until the tops of the keyholes rest on the screws.

Care Instructions:

Wipe with a soft, dry cloth. To protect the finish, do not use household cleaners or abrasives.



thank you for your purchase