

# P O T T E R Y B A R N

## hampton ladder

**Note:** This ladder is for storage and decorative purposes only. Do not use as a step ladder.

Parts Included:



Large Screws  
(A) - 2pcs

Toggles W/2 1/8" SMS (B) – 2pcs

Hooks(C)  
(C) - 2pcs

Small Screws (Flat Head)  
(D) - 6pcs

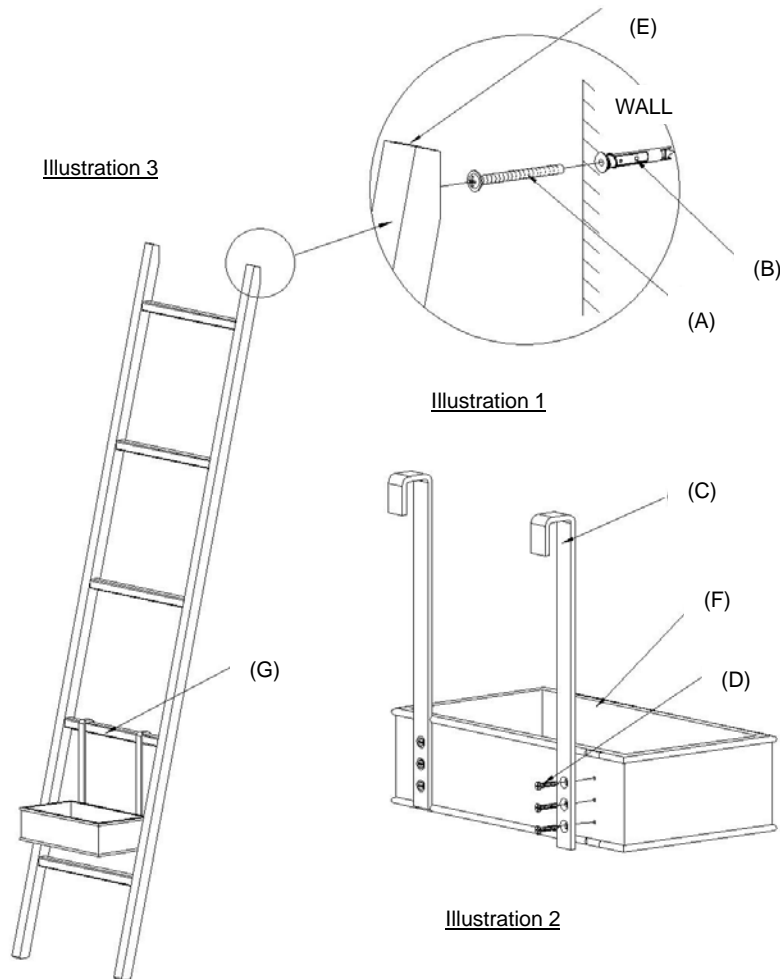


Illustration 3

Illustration 1

Illustration 2

### Note:

*This hardware is meant for dry wall or stud mount only. If walls are concrete, brick or plaster, please consult your local hardware store for assistance. For safety and ease of mounting, installation is recommended using two people.*

### Tools needed

Level, Tape Measure, Stud Finder, #2 Phillips screwdriver, Pencil

### Hardware & Parts Included:

- (2) Toggle Anchors and (2) Large Screws (for dry wall only)
- (6) Small Screws (Flat Head)
- (2) Hooks
- (1) Ladder

### Mounting Instructions:

1. Measure the distance between the pre-drilled holes on the back of the ladder. Determine ladder position. Mark the location of the screw holes on the wall. The center of these marks will be the insertion points of the mounting hardware. Use a tape measure and level to make sure the markings are even.
2. Stud mounting is always best, so try to position the ladder over studs if possible. Use a stud finder to locate stud in desired location. If any of the pre-drilled holes on the ladder align with stud, use stud mounting screws (not included). For dry wall mounting with no stud, use the included toggle anchors/large anchor screws.

### Dry Wall Mounting

1. Use a Phillips screwdriver to insert the toggle anchors (B). Do not "push" or drive the anchors into the wall, it is designed to bore into the wall like a drill bit. Slowly turn the anchors clockwise while applying pressure until the flange just touches the wall. Keep turning clockwise until one of the arrows on the flange is pointing to the 12 o'clock position.
2. Insert the large screw (A) into the toggle anchor turning clockwise. At this point, you will feel a slight resistance. This is the point where the large screw is engaging the pivoting portion of the anchor. Keep turning screw clockwise until the screw head touches the flange. Tighten the screw until it becomes difficult to turn. At this point the internal pivot will have engaged the backside of the dry wall. Remove the anchor screw turning counter-clockwise.
3. Align the pre-drilled holes on the ladder over the anchors, re-insert large toggle screws and tighten with Phillips screwdriver.

### Stud Mounting

1. Place the ladder over the marked positions on the wall. With a Phillips screwdriver (or drill) insert stud mounting screws (not included) clockwise until tight.
2. Align the shelf over the mounted wall brackets and position securely onto the wall.

### Caddy

1. Attach caddy (F) to the two hooks (C) using the flat head screws (D). See illustration 2.
2. To hang caddy from ladder, place hooks over ladder rung (G). See illustration 3.

