

P O T T E R Y B A R N

Hudson Headboard Full / Queen / King / Calking

Pre-Assembly:

- ❖ Please read all instructions carefully before assembly.
- ❖ For your safety and ease, assembly by two people is recommended.
- ❖ Carefully lay out and identify all parts and hardware prior to assembly.
- ❖ Save all packing materials until assembly is complete to avoid accidentally discarding small parts or hardware.

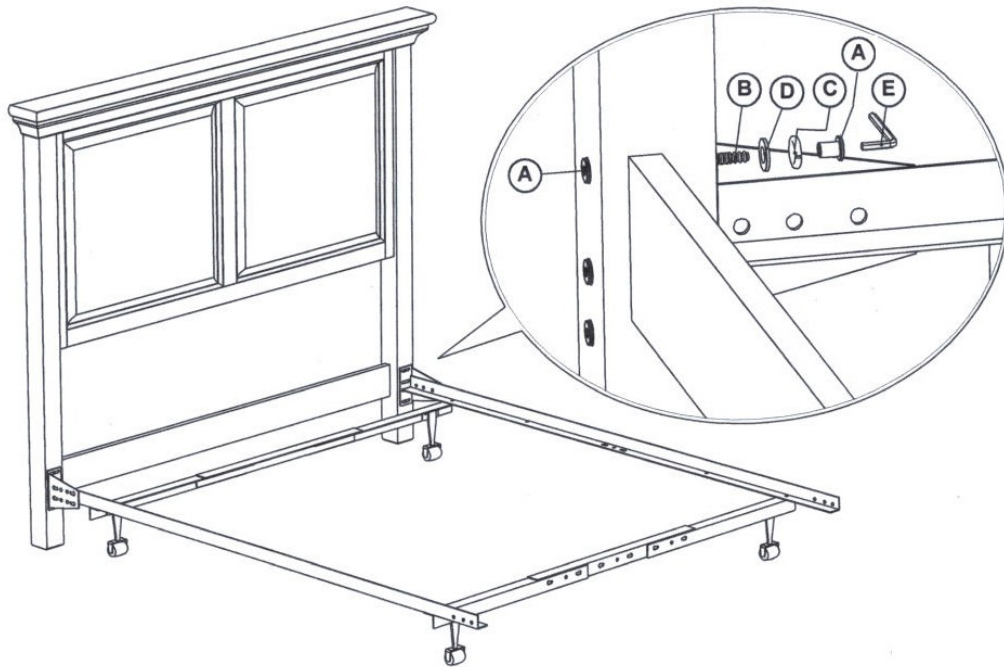
Hardware Enclosed:

- A (12) Sleeve Nut
- B (6) Thread Bolt M.6 x 2 ¾"
- C (6) Spring Washer
- D (6) Flat Washer
- E (2) Allen Wrench

Needed: (1) Bed frame (sold separately)

Assembly instructions:

1. Determine the desired location of headboard. One person should hold the headboard in a vertical position tilted slightly forward.
2. Attach sleeve nuts to thread bolt. Attach bed frame (sold separately) by aligning the holes in the faceplates of the bed frame to the holes on the headboard. Secure using the sleeve nuts, spring washer, and flat washer as shown in illustration. Tighten with the Allen wrench.



Care Instructions:

- For daily cleaning, dust with a dry, soft cloth.
- Avoid the use of chemical and abrasive cleaners.
- Wipe up spills immediately.

thank you for your purchase

store | catalog | www.potterybarn.com