

P O T T E R Y B A R N

Mason Double Console with Sink Assembly Instructions

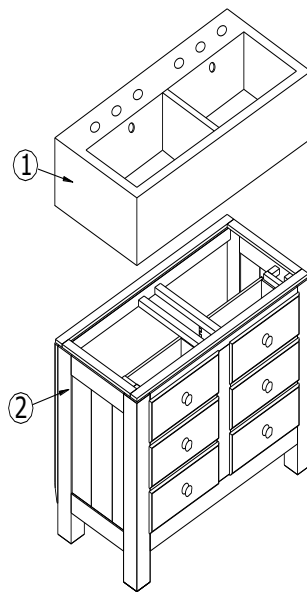
- Please read all instructions before beginning assembly.
- For your safety and convenience, assembly by two people is recommended.
- Use the parts and hardware lists to identify and separate each of the components included.
- Save all packing materials until assembly is complete to avoid the accidental discarding of smaller parts or hardware.
- A standard 8" spread faucet should be used with this sink console.

Note : Console need to be leveled and mounted to both wall and floor. Some hardware items needed for proper assembly and installation are not included : ex. Shim, spacer, high quality silicone or acrylic based bath sealant, etc.

Note : Avoid moving the top after it has been set into place.

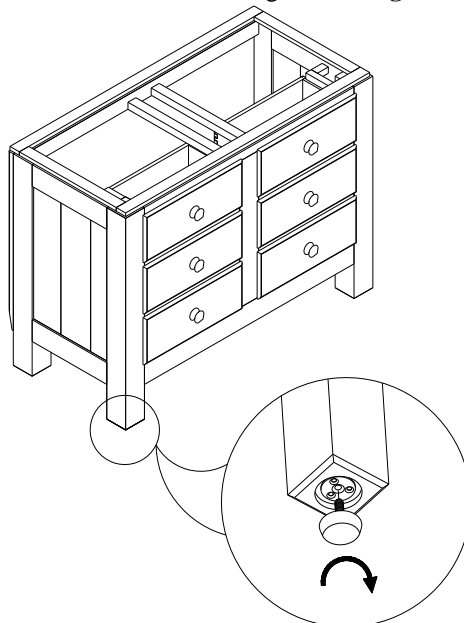
PARTS Included:

- 1 –Square Basin – (1 x)
- 2 – Console base – (1 x)



Assembly Instructions: .

1. **Leveler adjustment:** Levelers are pre-installed on the legs and adjust as needed to make sure the console is leveled. Turn counter-clockwise to increase height, clockwise to decrease height. See **Fig. 1**.

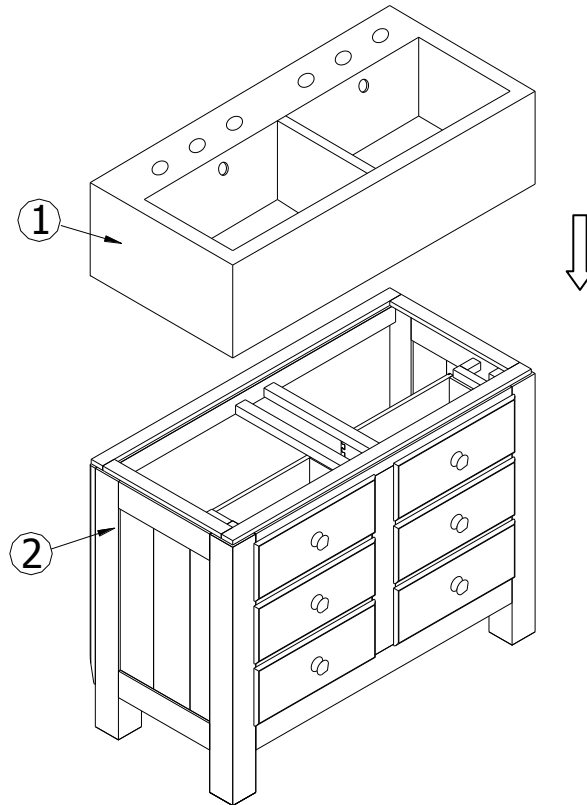


P O T T E R Y B A R N

Mason Single Console with Sink

2. Apply a high quality silicone or acrylic based bath sealant to the corners of the basin “ 1” rim where it will contact the base” 2” . Place basin “ 1” flat on console base “ 2” . Avoid moving the basin after it has been set into place.

Fig. 1



3. Open console's top drawer to provide working space for installation of faucet and water supply.

Wood Care Instructions:

- Dust with a clean, soft damp cloth and wipe dry immediately.
- Avoid the use of chemicals and harsh cleaning agents.

thank you for your purchase.
stores | catalog | www.potterybarn.com

P O T T E R Y B A R N

Mason Single Console with Sink

Back view

