

POTTERY BARN

Parker Bedside

Pre-Assembly:

- Please read all instructions carefully before assembly.
- For your safety and ease, assembly by two people is recommended.
- Carefully lay out and identify all parts and hardware prior to assembly.
- Save all packing materials until assembly is complete to avoid accidentally discarding small parts or hardware.

Tools Needed:

- Philips Screwdriver (not included)

Assembly Instructions:

Note: The door is reversible. It can be hinged to open from the left or from the right. Figure #1 and Figure #2.

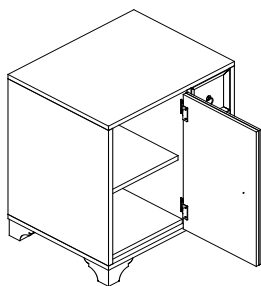
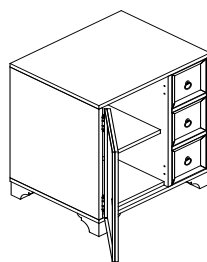


Figure #1



Figure#2

1. To install door to the pre-drilled holes on the opposite side from which it is attached, use a Philips Screwdriver to unfasten the screws at hinges. Figure #3. Turn the door as shown Figure#4.

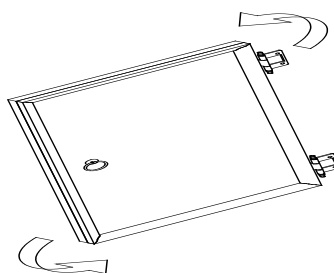
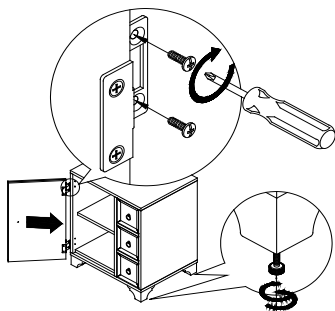


Figure #3

Figure #4

2. Adjust the knob. Figure#5.

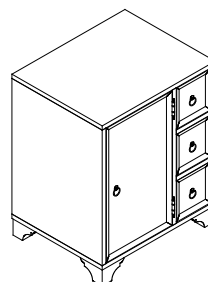
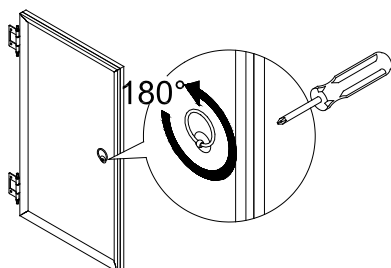


Figure #5

Care Instructions:

- To clean, wipe with a soft damp cloth. Always avoid the use of chemical and abrasive cleaners.

- Wipe spills immediately.

thank you for your purchase
stores | catalog | www.potterybarn.com