

# P O T T E R Y B A R N

## Valencia Headboard

### Pre-Assembly:

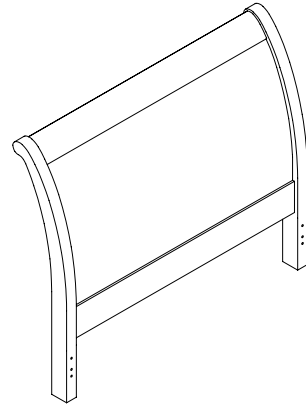
- Please read all instructions carefully before assembly.
- For your safety and ease, assembly by two people is recommended.
- Carefully lay out and identify all parts and hardware prior to assembly.
- Save all packing materials until assembly is complete to avoid accidentally discarding small parts or hardware.

### Parts Included:

- (1) Valencia Headboard

### Hardware Packet included:

- (2) Allen Key (A)
- (6) 1/4"x 90 x 15 Allen Bolts (B)
- (6) 1/4"x 15 x 17x 9 Allen Nuts (C)
- (6) 1/4"x 11mmx2mm Spring Washer (D)
- (6) 1/4"x 16mmx1mm Flat Washer (E)



### Needed:

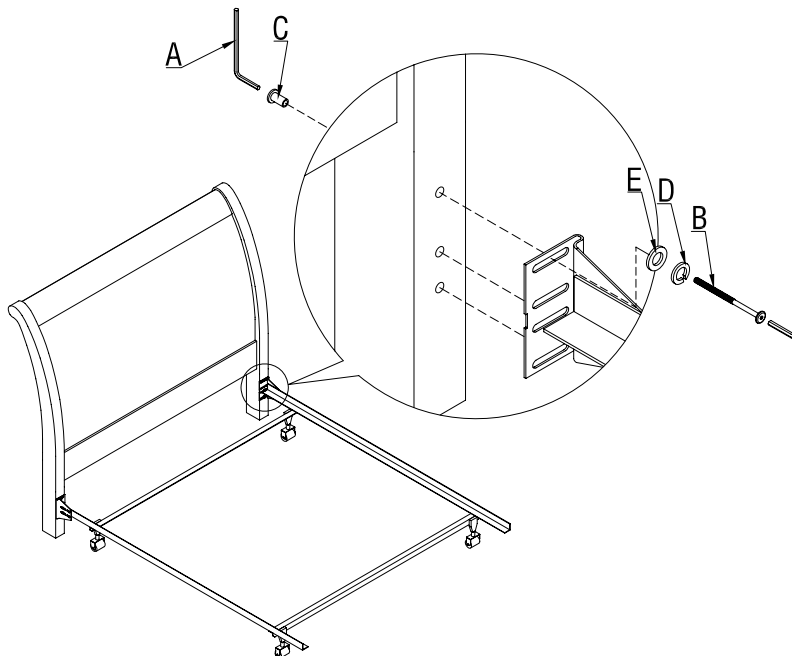
- (1) Bed frame (sold separately)

### Tools Needed:

- Philips screwdriver (not provided)

### Assembly Instructions:

1. Hold headboard upright and tilted slightly towards the faceplates of the pre-assembled bed frame.
2. Align the slot in the faceplate with the pre-drilled holes in the legs of the headboard.
3. Insert an (C) Allen Nut into the pre-drilled hole from the back. Insert an (B) Allen bolt into (E) spring washer and (E) Flat washer through the top hole from the other side.
4. Repeat for all pre-drilled holes.
5. Tighten (B) Allen Bolts and (C) Allen Nuts by using enclosed (A) Allen key and wrench. Periodically tighten all connections.



### Care Instructions:

- To clean, wipe with a soft damp cloth.
- Always avoid the use of chemical and abrasive cleaners.
- Wipe spills immediately.

thank you for your purchase