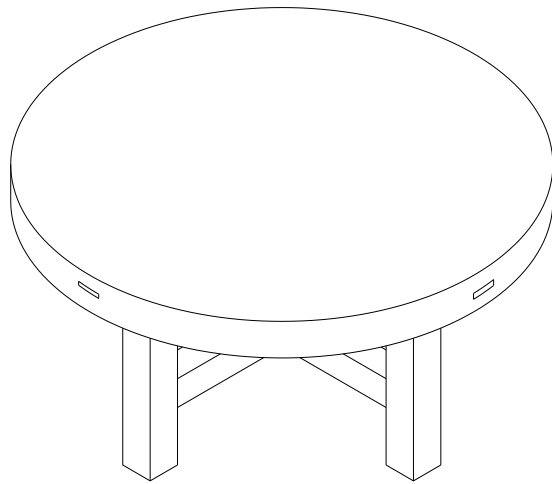


POTTERY BARN



MARIETTA VINTAGE COFFEE TABLE

Important Safety Instructions:

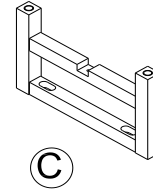
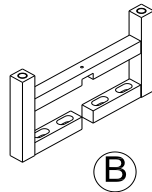
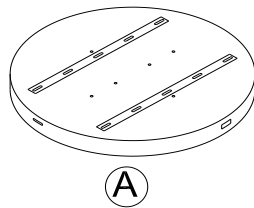
- Please read all instructions carefully before assembling.
- For your safety, assembly by two or more adults is strongly recommended.
- Keep instructions for future use.
- Use only vendor supplied hardware to assemble. Using unauthorized hardware could jeopardize the structural integrity of the item.

Pre-assembly:

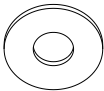
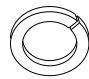
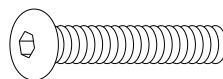
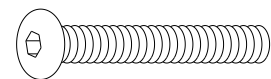
- Remove all parts and hardware from the box and lay out on a clear carpeted or scratch-free work surface, as this will avoid damaging parts during assembly. The shipping box provides an ideal work surface.
- Do not dispose of any packaging or contents of the shipping carton until assembly is completed to avoid accidentally discarding small parts or hardware.
- Use the parts and hardware lists below to identify and separate each of the pieces included.
- The illustrations provided allow for easier assembly when used in conjunction with the assembly instructions.
- The use of power tools to aid in assembly is not recommended. Power tools can damage hardware and split wood.

Parts Included:

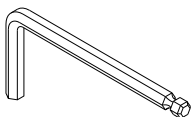
- (A) Coffee Table Top 1x
- (B) Leg (cutouts on both supports) 1x
- (C) Leg (cutout on bottom support) 1x



Hardware Included:

<p>(D) Flat Washer</p>  <p>Dia. 5/16"x1" 7x</p>	<p>(E) Spring Washer</p>  <p>Dia. 5/16" 7x</p>	<p>(F) Short Bolt</p>  <p>Dia. 5/16"x1 1/2"L 1x</p>	<p>(G) Long Bolt</p>  <p>Dia. 5/16"x2 3/8"L 6x</p>
--	---	--	---

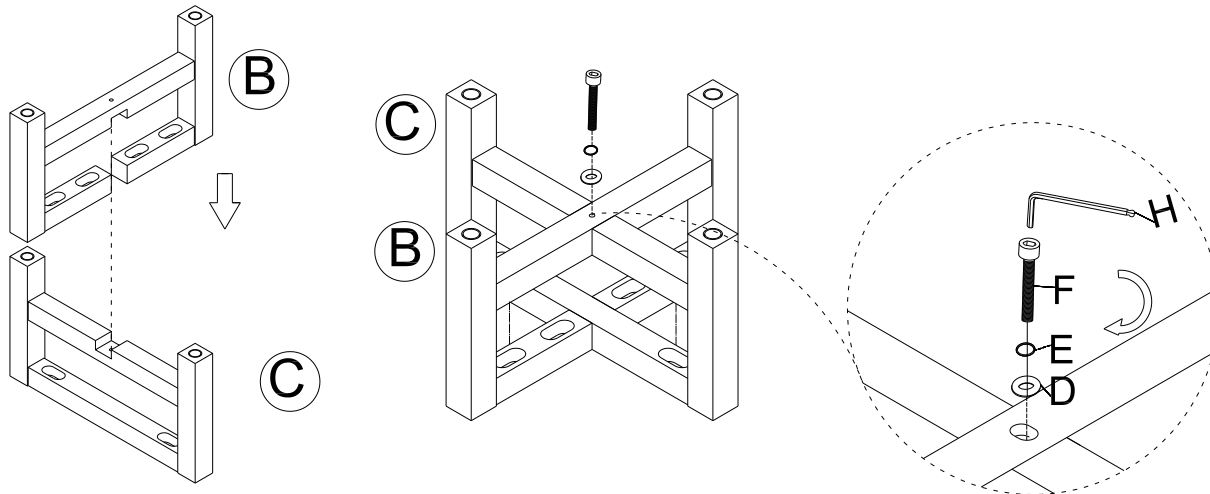
Tools Required (included):



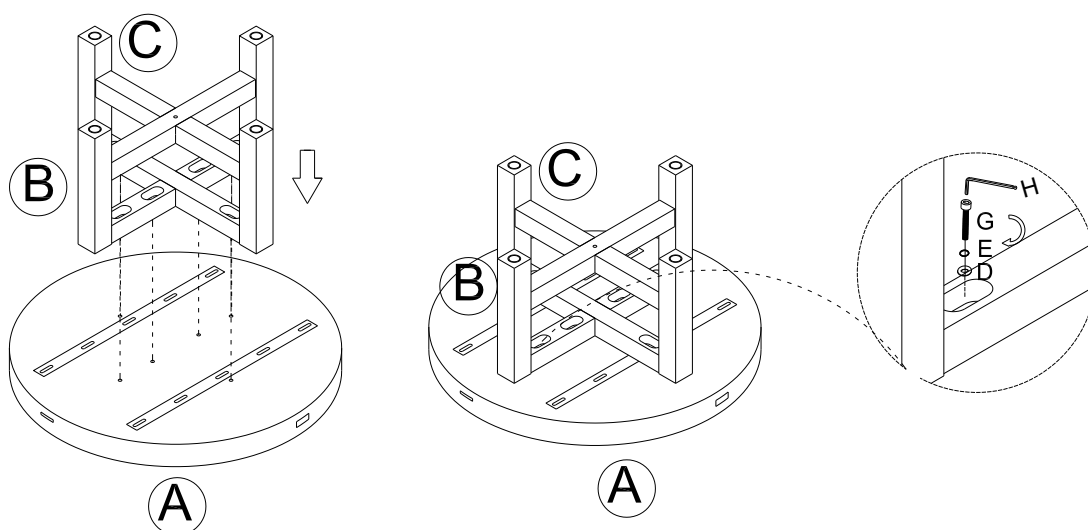
- (H) Allen Key 5mm

Assembly Instruction Steps:

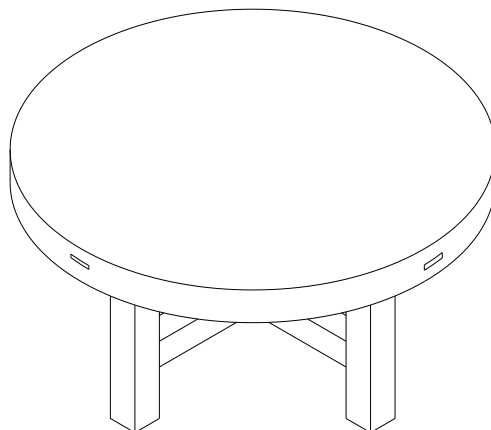
1. Place Leg (C) on an even surface upside-down with the adjustable levers facing upward. Slide Leg (B) upside-down through the center of Leg (C) until both frames fit together. Using the Short Bolt (F), Spring Washer (E) and Flat Washer (D), secure the legs in place by tightening the bolt with Allen Key (H).



2. Carefully turn the Coffee Table Top (A) upside down on soft, scratch-free surface such as a carpet or rug. Line up the assembled base with the countersunk holes on the Coffee Table Top (A). Using the Long Bolt (G), Spring Washer (E), and Flat Washer (D), finger-tighten all bolts into place. Once all bolts are secured, fully-tighten all bolts with the Allen Key (H).



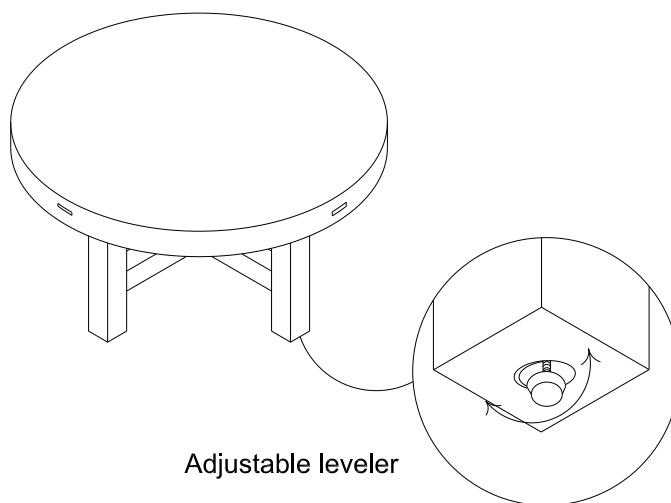
3. Carefully turn the coffee table upright. It is now ready for use.



Adjusting the levelers:

Due to an uneven floor, the furniture may not sit level due causing it to wobble. If the furniture wobbles, determine which corner does not touch the ground correctly. With two people follow these steps:

1. Carefully elevate the item slightly to provide access to the levelers attached to the bottom.
2. Turn the levelers until adequate contact will be made with the floor. Gently set down the piece and check stability.
3. Repeat steps until furniture sits firmly on the ground.



Care Instructions:

- Dust often using a clean, soft, dry and lint-free cloth.
- Blot spills immediately and wipe with a clean, damp, cloth.
- We do not recommend the use of chemical cleansers, abrasives or furniture polish on our lacquered finish.
- Hardware may loosen over time. Periodically check to make sure all connections are tight.
Re-tighten if necessary.

Thank you for your purchase
Stores | catalog