

POTTERY BARN

Display Wall Shelf with Drawer

Mounting instructions

Tools: Level, Philips Screwdriver, Stud-Finder

Hardware: FOUR Anchors; FOUR Screws
Four Allen Screws, One Allen Key

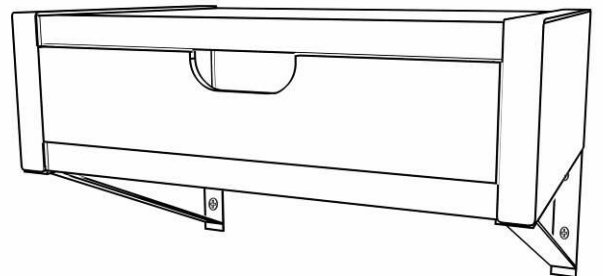
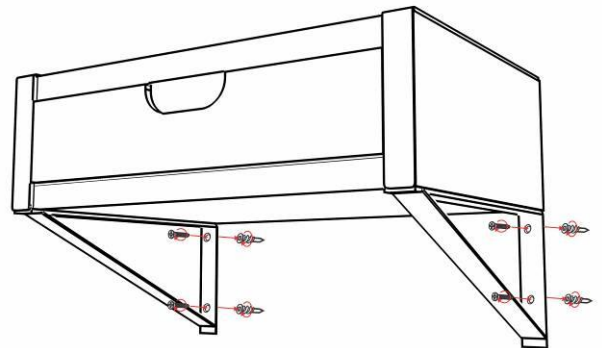
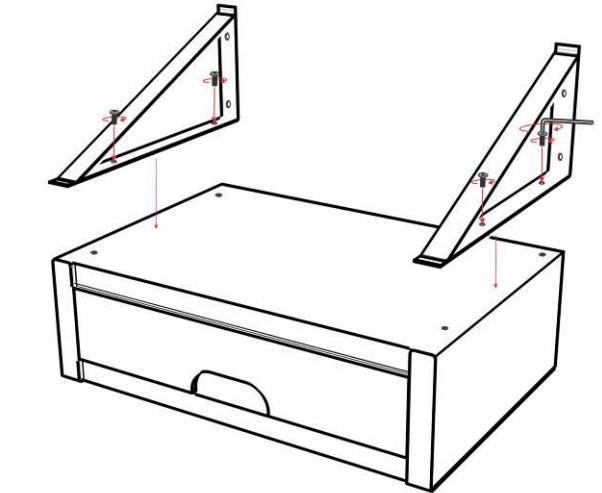
The hardware included with this item is meant for drywall or stud mounting only. If your walls are made from concrete, brick or plaster, please consult your local hardware store for assistance in selecting the appropriate hardware.

Parts Included: (1) Shelf with Drawer (A), (2) Brackets (B)

Max Load: Maximum total weight capacity for this product is 40 pounds (18.1 Kg).

Mounting Instructions:

- 1) Place the Shelf with Drawer(A) on the floor such that its bottom allen screw holes align to the Brackets (B) through holes as these are designed to fit into shelf with Drawer. (A)
- 2) Now rotate the item upright and level against a wall at the desired mounting location. Use one of the provided screws to mark the wall through each of the two through-holes of the mounting and then set the bracket aside.
- 3) If either of the two marks of Step (1) aligns with a wall stud (use a stud-finder to determine this), use a screwdriver to secure a screw at this mark directly into the wall and stud when instructed to do so below. Do not use a provided anchor at this stud location because the anchor cannot penetrate wood.
- 4) For each mark that does not align with a stud, use a Phillips screwdriver to install an anchor into the wall. To do this, position the tip of the anchor against the wall at the mark and then firmly push the anchor into the wall as you rotate it clockwise. The anchor is designed to drive itself into the wall as it is rotated. Continue rotating the anchor until the wide end becomes even with the surface of the wall.
- 5) With the help of another person, hold the bracket upright and against the wall so that the two through holes align with either a stud-aligned mark or an installed anchor. Use a screwdriver to secure a provided screw through each through hole and into the wall or an installed anchor. Rotate the screw clockwise until tight.



6) Installation complete!

Care Instructions:

To clean: Wipe with a soft, dry cloth.

Do not use any abrasive or strong-chemical household cleaners.

Thank you for your purchase
Stores | catalog | www.potterybarn.com