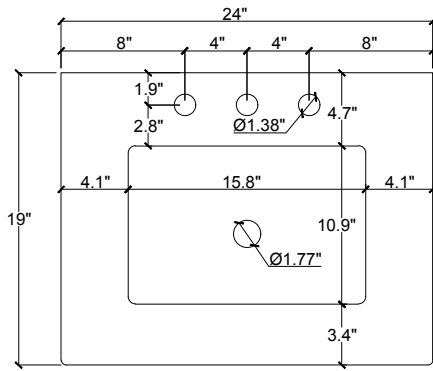
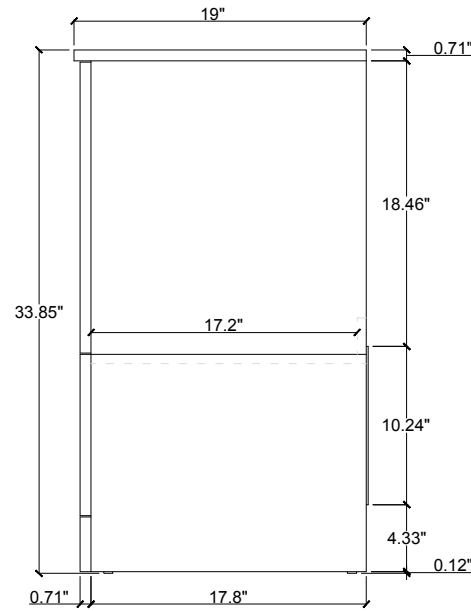


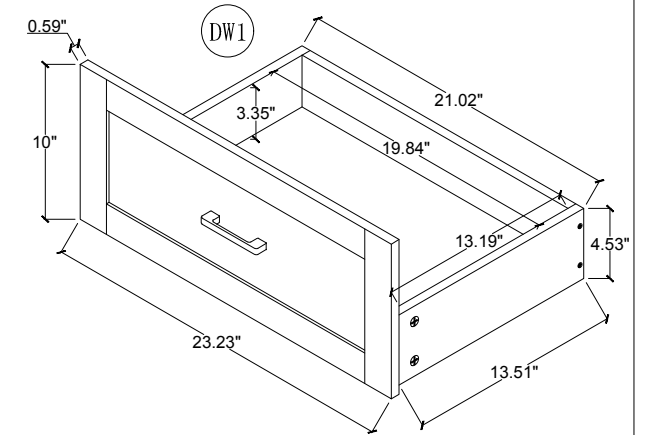
**MODEL NO.:**  
**VF2824MW**  
**Version:29.4.2024**



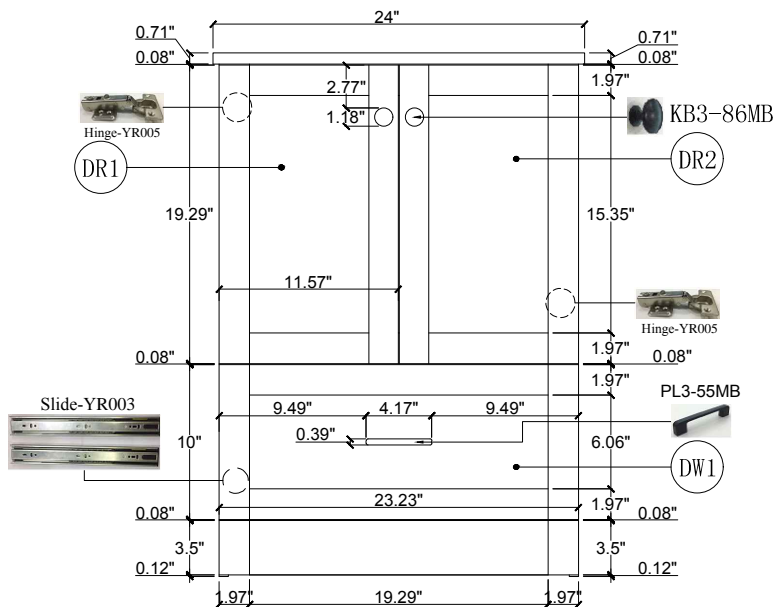
Top view



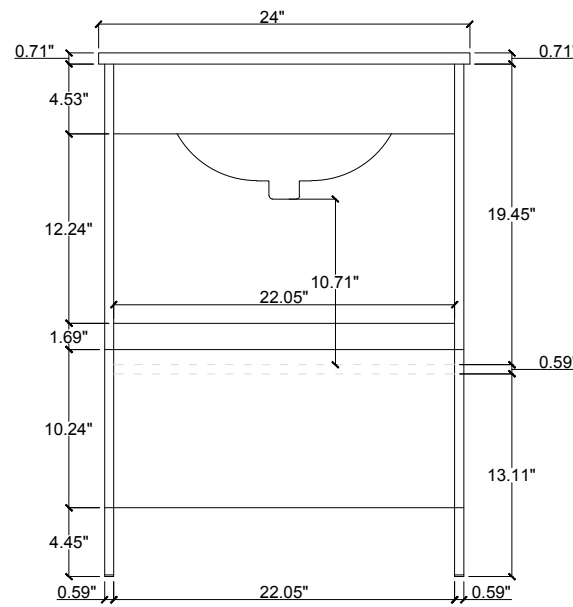
Side view



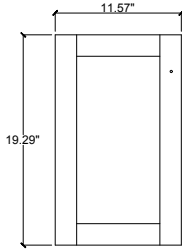
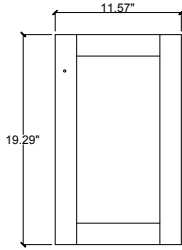
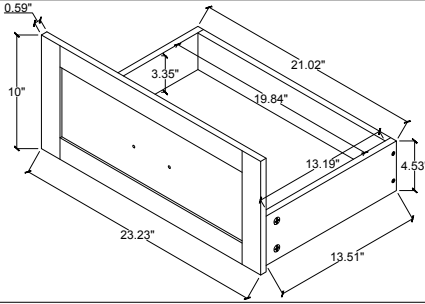
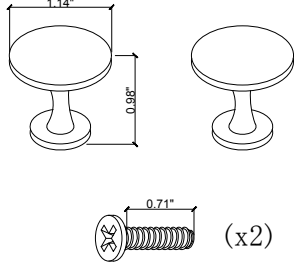
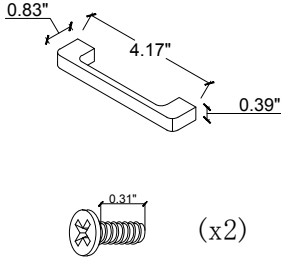
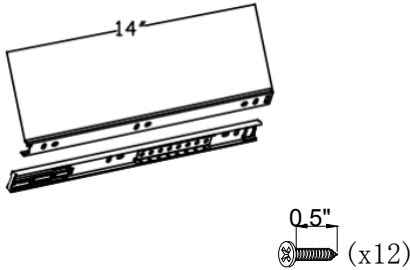
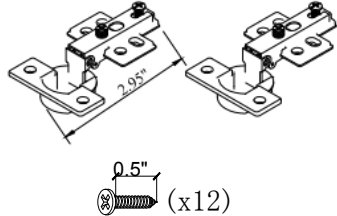
Drawer Interior Size



Front view



Back view

Parts Number	Picture	Description	qty	Diagram number
P-VF2824MW-DR1		Left Door (Mango Wood)	1	DR1
P-VF2824MW-DR2		Right Door (Mango Wood)	1	DR2
P-VF2824MW-DW1		Bottom Drawer (Mango Wood)	1	DW1
KB3-86MB-2PK		Knob (set of 2) 1.14"(29mm) (Matte Black) Door Knob Screws ( 2 ) M4*0.71"(18mm)	1	KB3-86MB
PL3-55MB-1PK		Pull (set of 1) 4.17"(106mm) (Matte Black) Drawer Pull Screws ( 2 ) M4*0.31"(8mm)	1	PL3-55MB
Slide-YR003-2PK		Drawer Slide (2) Screws (set of 12) M4*0.5"(13mm) (Nickel )	1	Slide-YR003
Hinge-YR005-2PK		Hinge(set of 2) Screws (set of 12) M4*0.5"(13mm) (Nickel)	2	Hinge-YR005

