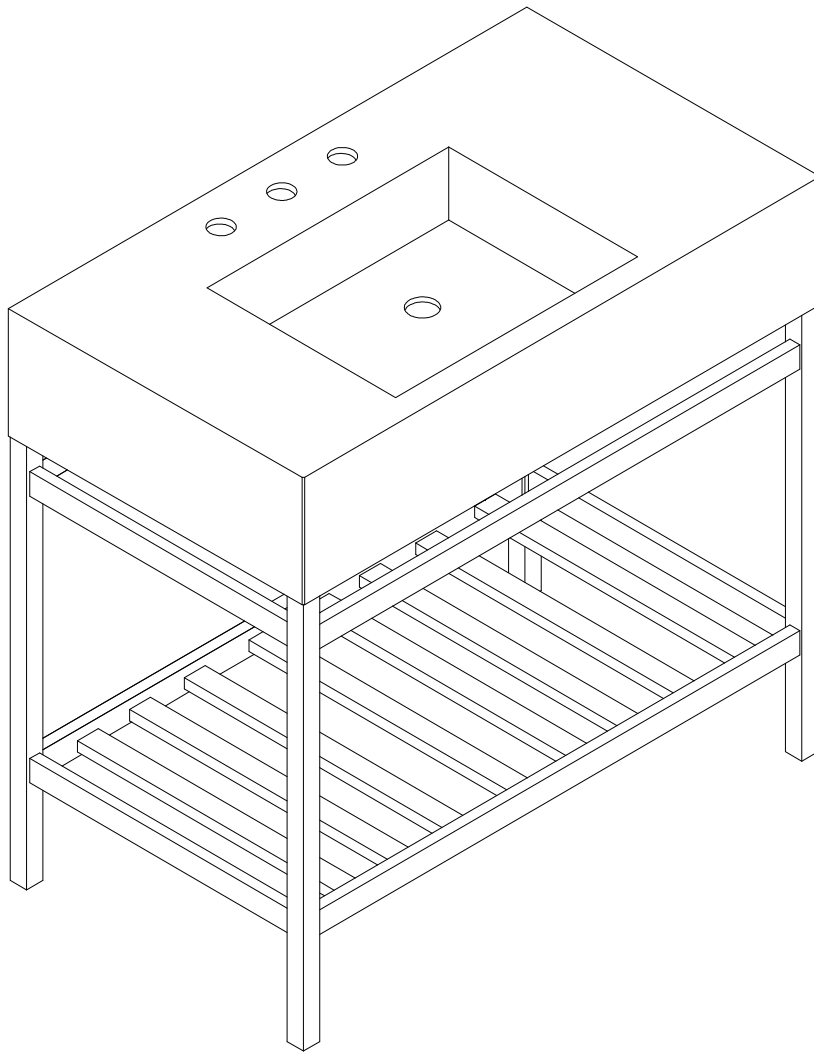


POTTERY BARN



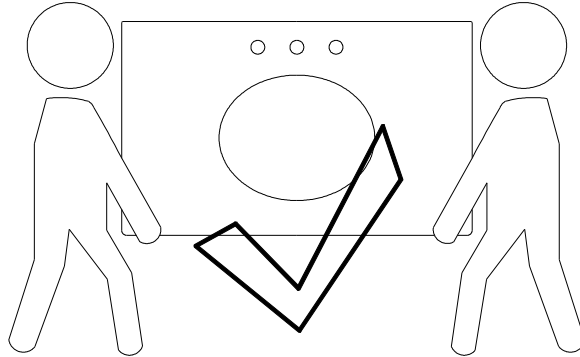
CLARENCE MARBLE TOP SINGLE

Important Safety Instructions:

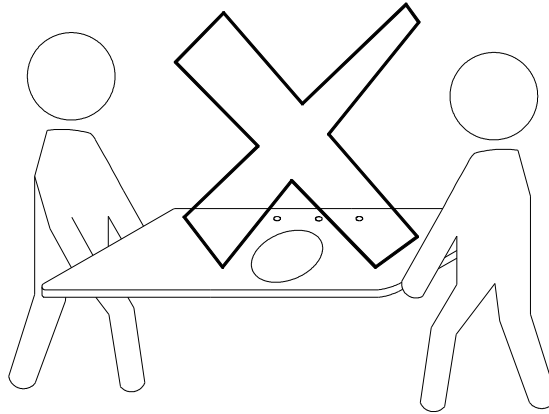
Keep natural stone materials in its packaging until installation and store on its edge.

CAUTION: When removing natural stone product from its package, always ensure it is removed vertically on its long edge.

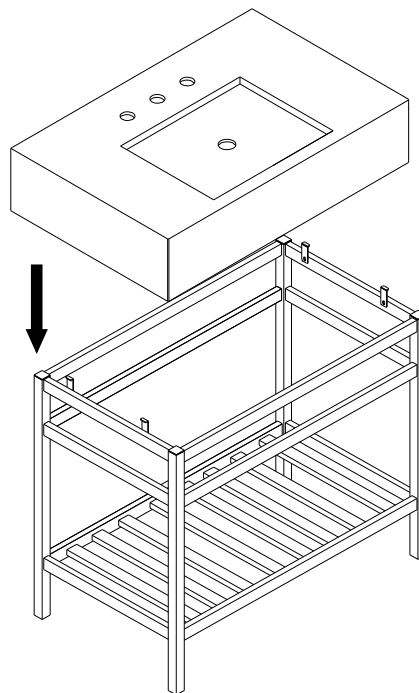
- Always carry natural stone product vertically on its long edge.



- Carrying natural stone flat WILL cause them to crack or break.



- Place top as close as possible to the final desired location.



- **NOTE:** Avoid moving the top after it has been set into place.

- **PROFESSIONAL INSTALLATION REQUIRED - Contractor and Plumber needed for Installation.**
- Please read all instructions carefully before assembling.
- For your safety, assembly by two or more adults is strongly recommended.
- Keep instructions for future use.
- Use only vendor supplied hardware to assemble. Using unauthorized hardware could jeopardize the structural integrity of the item.
- The mounting hardware included with this item is meant for dry wall/stud mounting only. If your walls are made from something other than drywall or wood such as concrete, brick or plaster, please consult your local hardware store for assistance in selecting the appropriate hardware. This item is secured to the wall using either expanding anchors and screws for drywall or just the screws if a mounting hole happens to align with a wall stud.

Pre-assembly:

- Remove all parts and hardware from the box and lay out on a clear carpeted or scratch-free work surface, as this will avoid damaging parts during assembly. The shipping box provides an ideal work surface.
- Do not dispose of any packaging or contents of the shipping carton until assembly is completed to avoid accidentally discarding small parts or hardware.
- Use the parts and hardware lists below to identify and separate each of the pieces included.
- The illustrations provided allow for easier assembly when used in conjunction with the assembly instructions.
- The use of power tools to aid in assembly is not recommended. Power tools can damage hardware and split wood.
- **Keep all parts out of the reach of children.**
- **A standard 8" spread faucet should be used with this Marble top console.**

Note: The Marble top is fragile. In order to preserve its integrity, it is important to limit the amount of handling it gets. Due to the nature of this natural material, slight chipping or cracking may result with excessive handling or if placed on a hard surface.

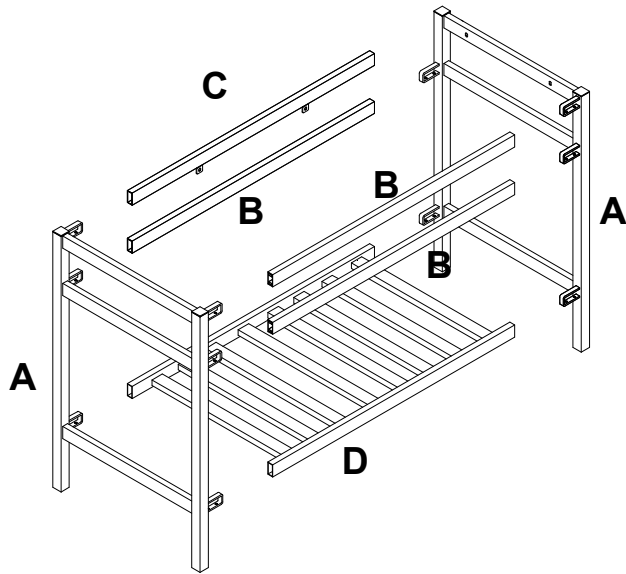
The Marble top, even when it is still packed, should never lie flat, except for when it is placed on top of the console or during unpacking. Please note that arrows on the package indicate the side to be placed up while storing.

Marble should be unpacked with extreme care. Once unpacked, the marble top should be placed directly on top of the console. If placing down, marble top should only be placed on its end and on a very soft, cushioned surface such as a rug or thick toweling.

Note: Consoles usually need to be leveled and mounted to both wall and floor. Some hardware items needed for proper assembly and installation are not included: ex. shim, spacer, high quality silicone or acrylic based bath sealant, etc. **DO NOT USE PLUMBERS PUTTY OR ANY OIL BASED SEALANT AS THIS WILL STAIN THE MARBLE.**

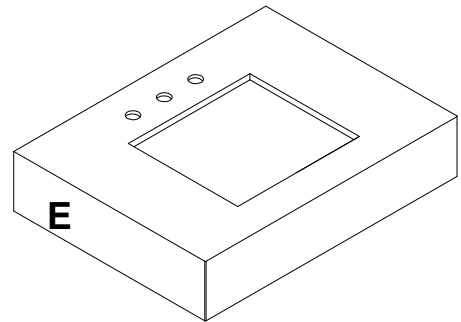
Note: Some cutting and drilling may be necessary to mount console base to wall or to shape shelves for under-sink hardware or plumbing.

Parts Included (Box 1 of 3):



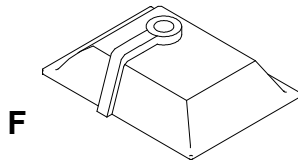
- (A) Side Frame 2x
- (B) Rail 3x
- (C) Back Top Rail 1x
- (D) Bottom Frame 1x

Parts Included (Box 2 of 3):




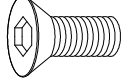

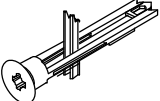

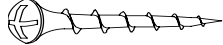
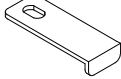
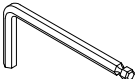
- (E) Marble Countertop 1x

Parts Included (Box 3 of 3):

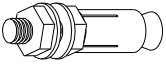
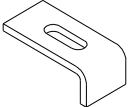


- (F) Basin 1x

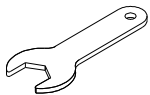
Hardware Included (Box 1 of 3):

<p>(G) Bracket</p>  <p>2x</p>	<p>(H) Flat Head Bolt</p>  <p>Dia. M5*12mm 24x</p>	<p>(I) Bolt</p>  <p>Dia. M5 x 12mm 6x</p>	<p>(J) Toggle</p>  <p>2x</p>
<p>(K) Toggle Screw</p>  <p>2x</p>	<p>(L) Mounting Screw</p>  <p>Dia. M4x 50mm 2x</p>	<p>(M) L Shape Bracket</p>  <p>4x</p>	<p>(N) Allen Wrench</p>  <p>1x</p>

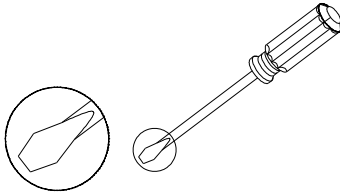
Hardware Included (Box 2 of 3):

(O) Anchor  4x	(P) L Shape Bracket  4x
--	---

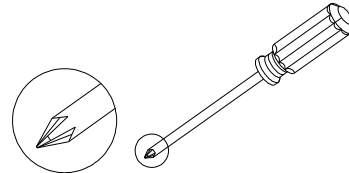
Tools Required (Not Included):



Open Wrench



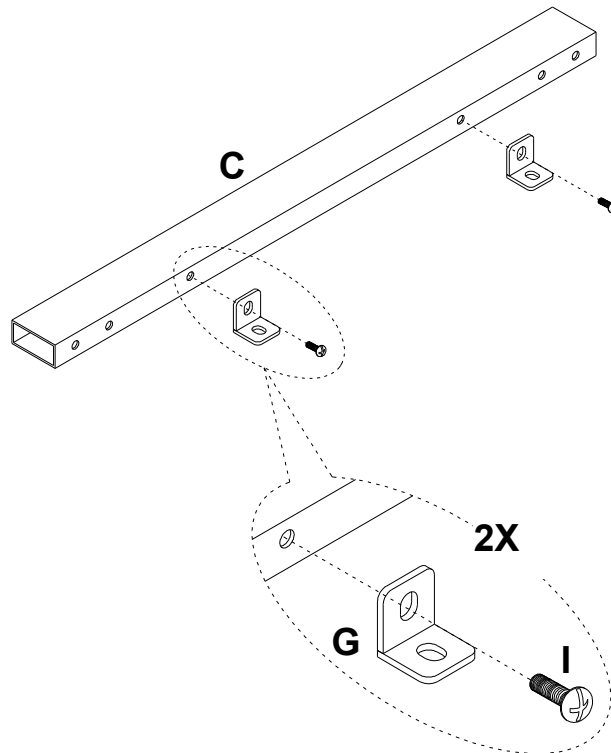
Flat Head Screwdriver



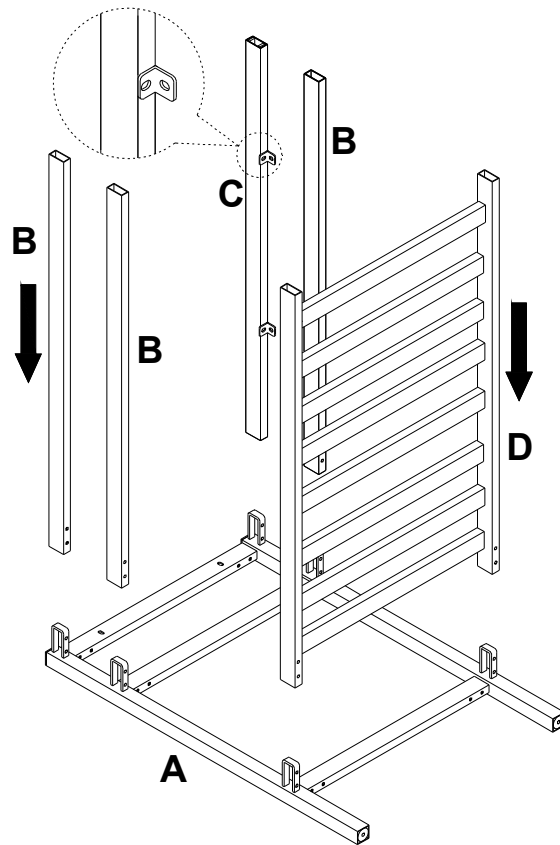
Phillips Head Screwdriver

Assembly Instruction Steps:

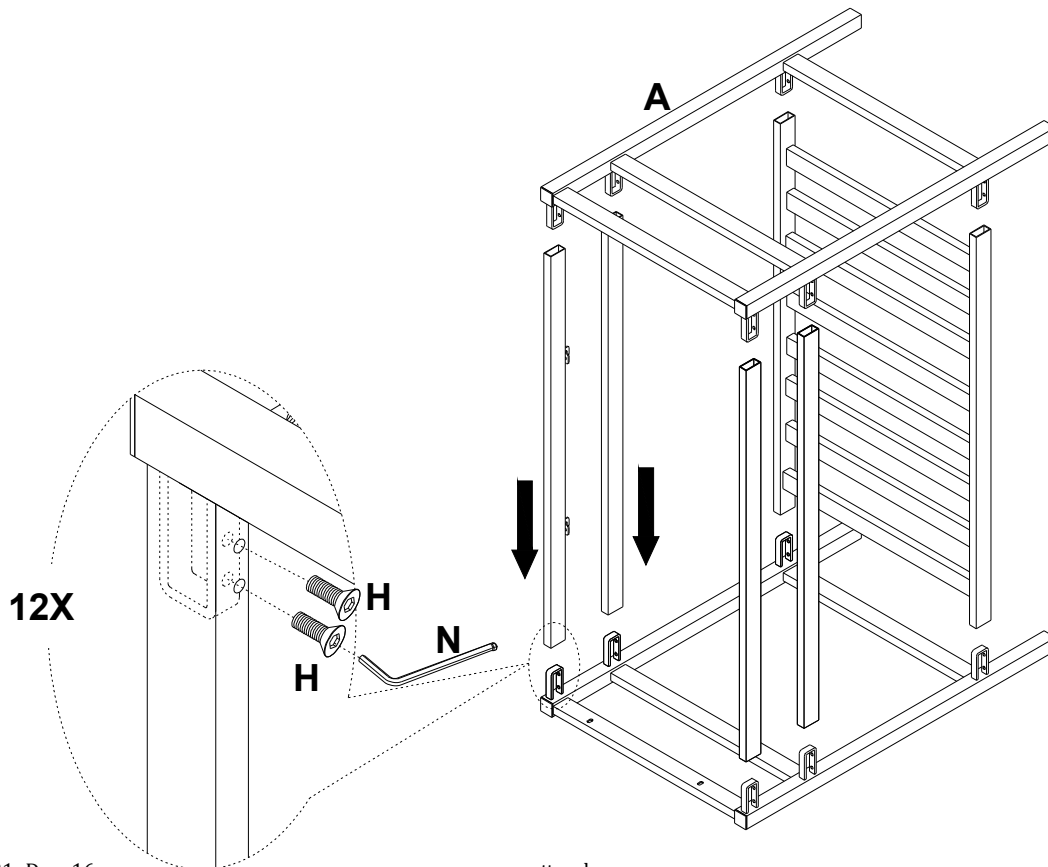
1. Attach Bracket (G) to Back Top Rail (C) by using Bolt (I), tighten with Philip Head Screwdriver.



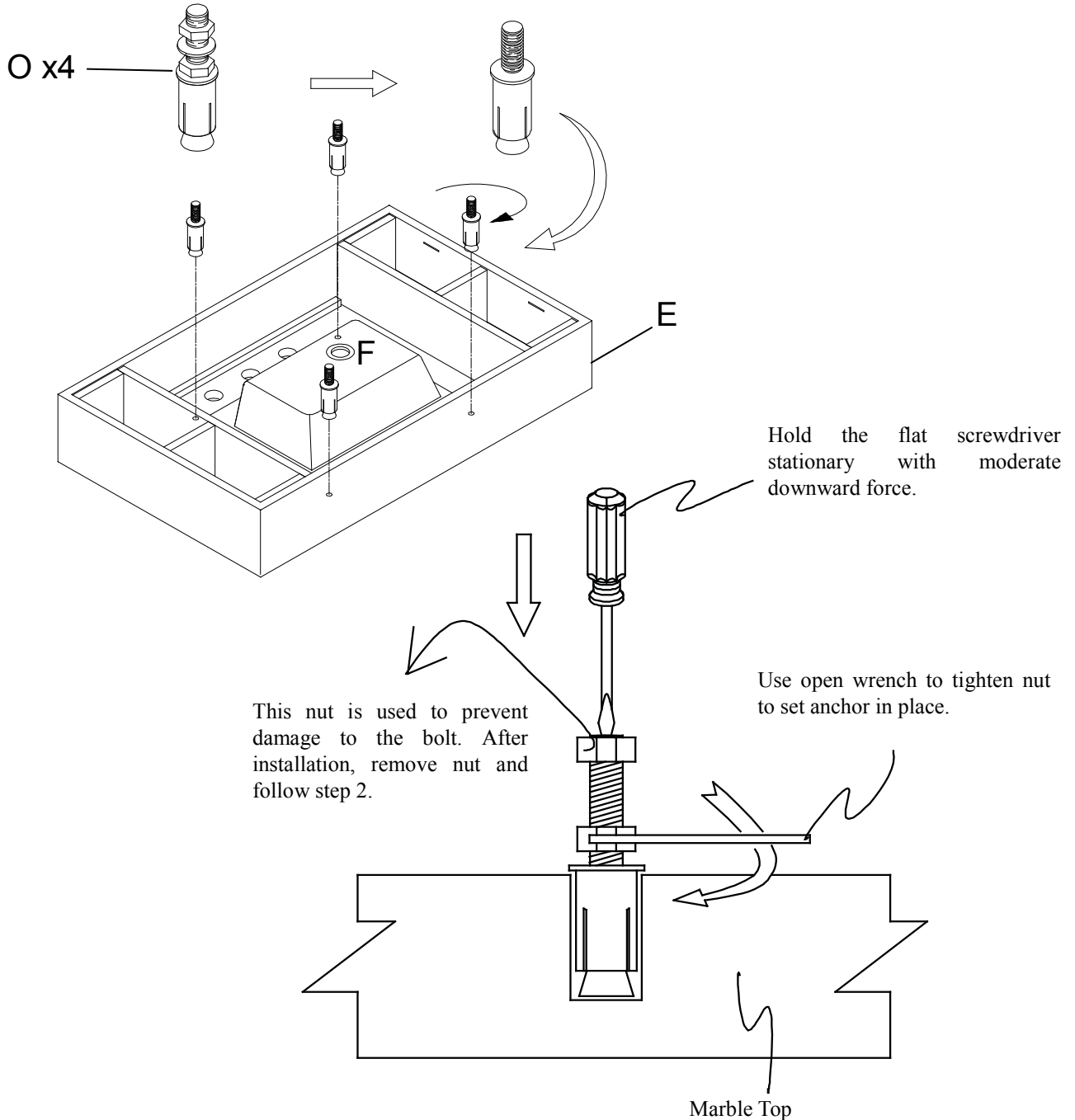
2. Attach Rail (B), Back Top Rail (C) and Bottom Frame (D) to Side Frame (A) as shown.



3. Attach another Side Frame (A) to assembly as shown, insert Bolt (H) and tighten with Allen Wrench (N).



4. Position the basin (F) by placing over the marble top cutout. Remove top washer and nut from anchor (O). Carefully set the threadless anchor end into the predrilled holes at backside of countertop.



5. Basin installation:

- 1) Place the L shape brackets (P), top washer and nut in succession through the other end of anchor. Secure by tightening the nut with a wrench.

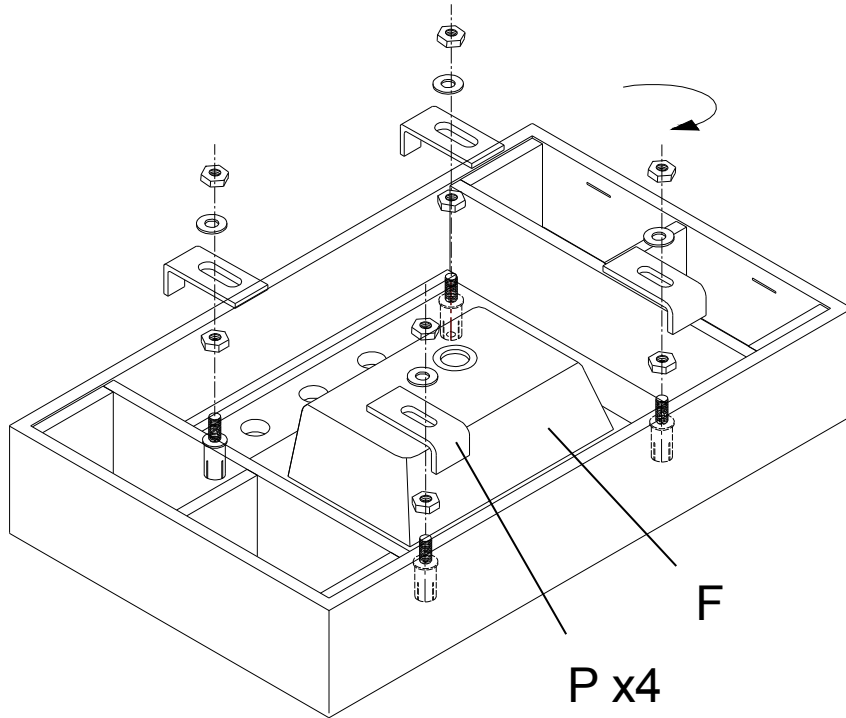
Note: position the basin (F) squarely under the cutout before fixing L shape brackets tightly, don't tighten the brackets at this stage.

- 2) Apply a continuous bead of high quality silicone or acrylic based bath sealant to the basin rim where it will contact the countertop. **DO NOT USE PLUMBERS PUTTY OR ANY OIL BASED SEALANT AS THIS WILL STAIN THE MARBLE. Note: Don't use adhesives or adhesive sealants.**

Draw the basin rim up to the countertop until it is snug.

CAUTION: TO AVOID BKAGE, DON'T OVER-TIGHTEN WITH WRENCH.

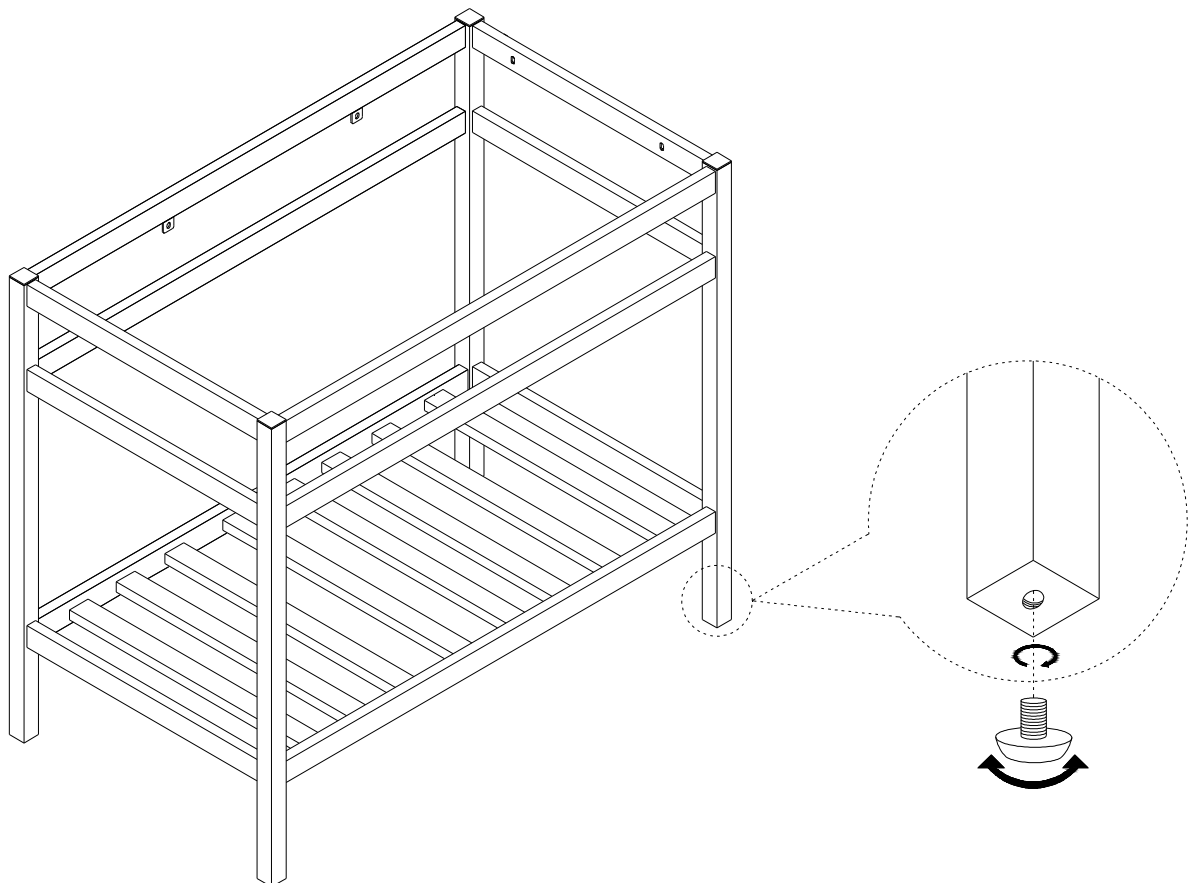
Immediately wipe away any excessive sealant.



6. Leveler adjustment:

Note: Before installing marble top onto console base; console needs to be properly leveled, shimmed (if necessary), and secured to floor and wall as required.

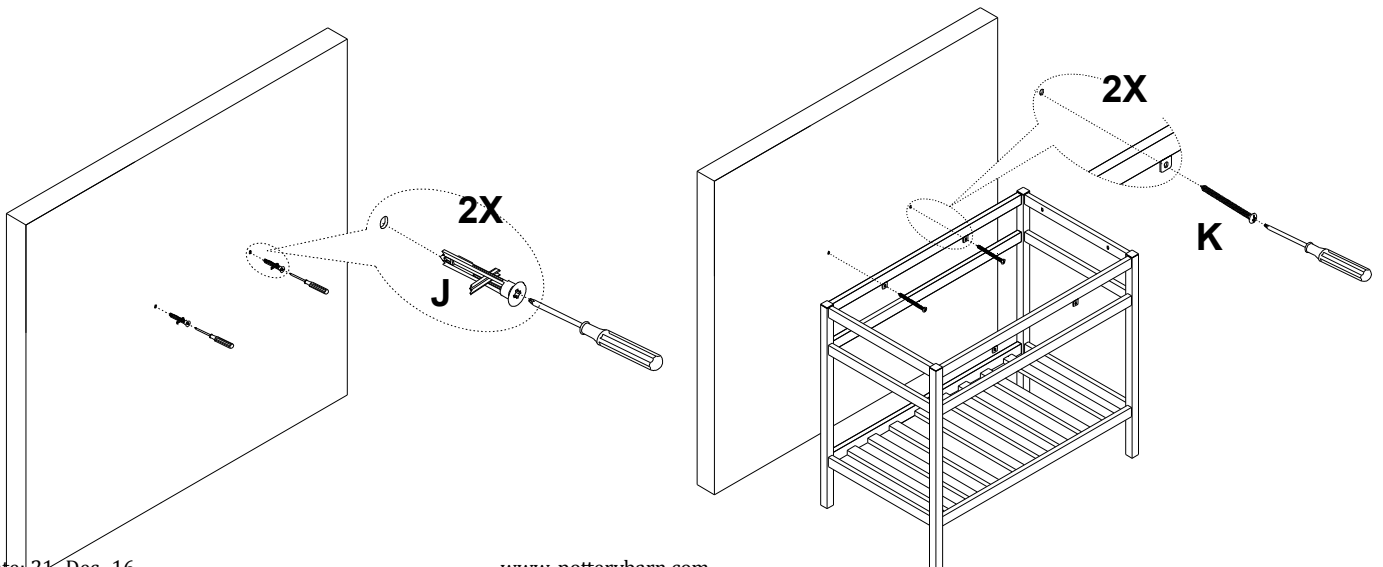
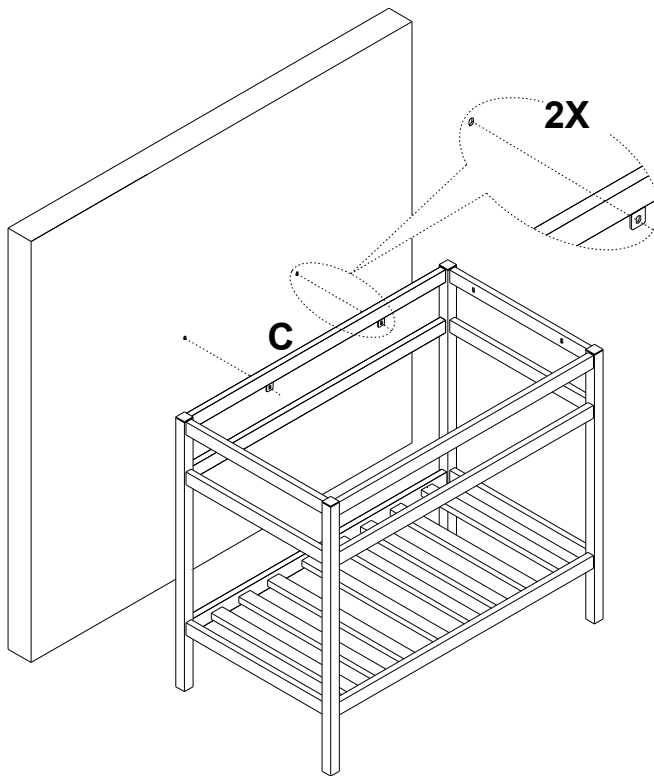
Levelers are pre-installed on the corner of bottom console and adjust as needed to make sure the console is level. Turn counter-clockwise to increase height, clockwise to decrease height.



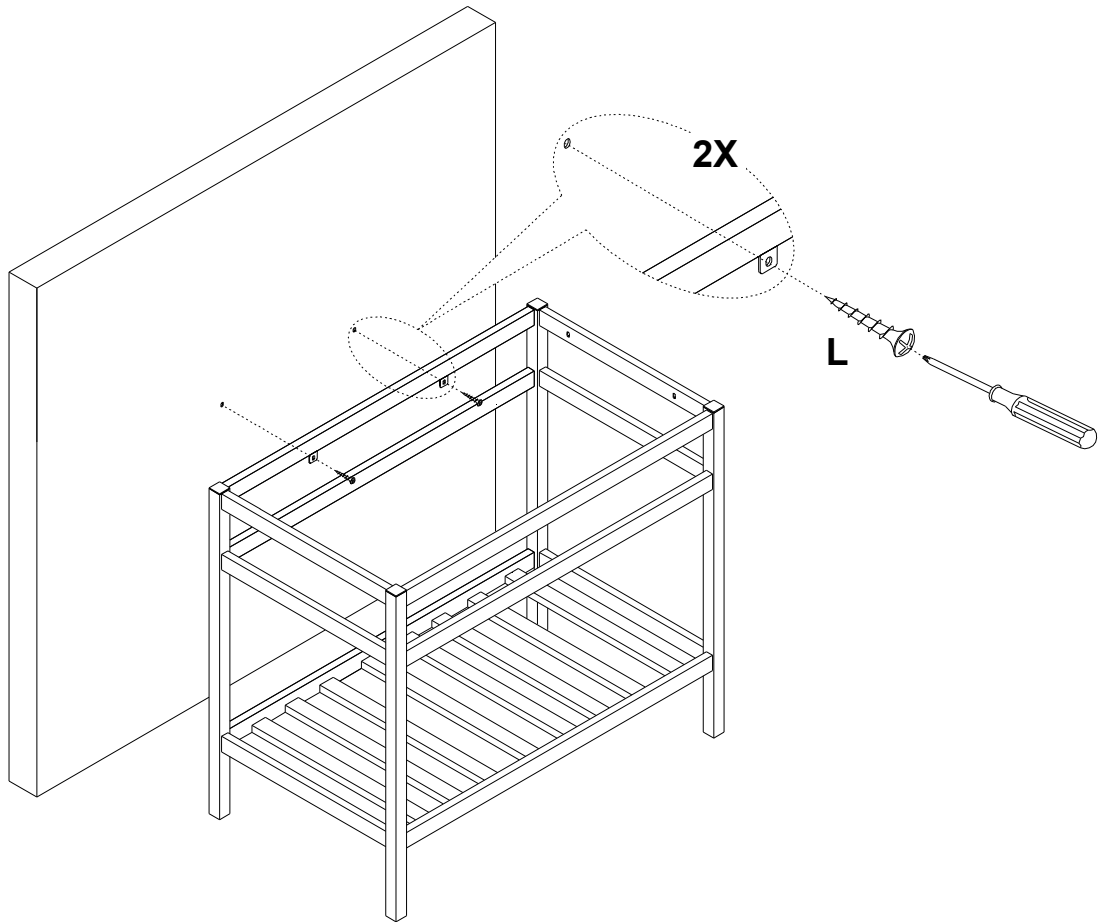
7. MOUNT THE BASE TO THE WALL- The Base must be secured to the wall.

NOTE: For safe mounting it is essential to use the proper hardware for your wall type. The hardware included is meant for drywall or wood stud mounting only. If walls are concrete, brick or plaster, please consult your local hardware store for assistance in selecting the appropriate hardware. **Mount to wood studs whenever possible.**

- 1) Move the BASE to the desired placement against the wall. Use a sharp pencil or a screw to mark the wall through the holes on top rail (C). These marks are the insertion marks for the provided hardware.
- 2) The provided toggle (J) is needed for drywall applications, but cannot penetrate into wall studs (wood). Therefore, we recommend that you use a stud finder to determine if any of the insertion marks align with a wall stud. If so, only a Mounting Screw (L) will be used at that mark. If not, then both a Toggle (J) and a Toggle screw (K) will be used.
- 3) **For drywall mounting:** using a screwdriver to engage a Toggle (J) and position the toggle tip against the wall at the insertion mark. Gently push the toggle into the wall as you rotate the toggle clockwise. Continue rotating until the large flange of the toggle is flush with the wall.
- 4) Once the Toggle (J) is installed into the wall at the marked locations, return the BASE to the wall. Use a screwdriver to secure the BASE through toggle screw (K) into the toggle.



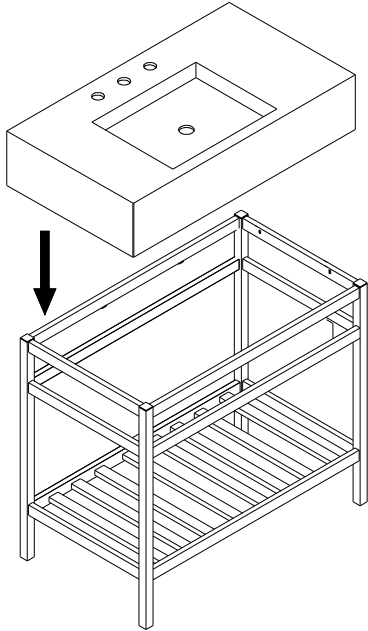
- 5) **For stud mounting:** Use a screwdriver to secure the BASE through Mounting Screw (L) at the marked locations, simply drive down Mounting Screw (L) for securing.



8. Use a dry cloth to wipe off any dirt or dust from the top edge of console, apply high quality silicone or acrylic based bath sealant to top edge of console. **DO NOT USE PLUMBERS PUTTY OR ANY OIL BASED SEALANT AS THIS WILL STAIN THE MARBLE.**

Carefully lift up the marble countertop (B) with basin attached to place it onto the console base.

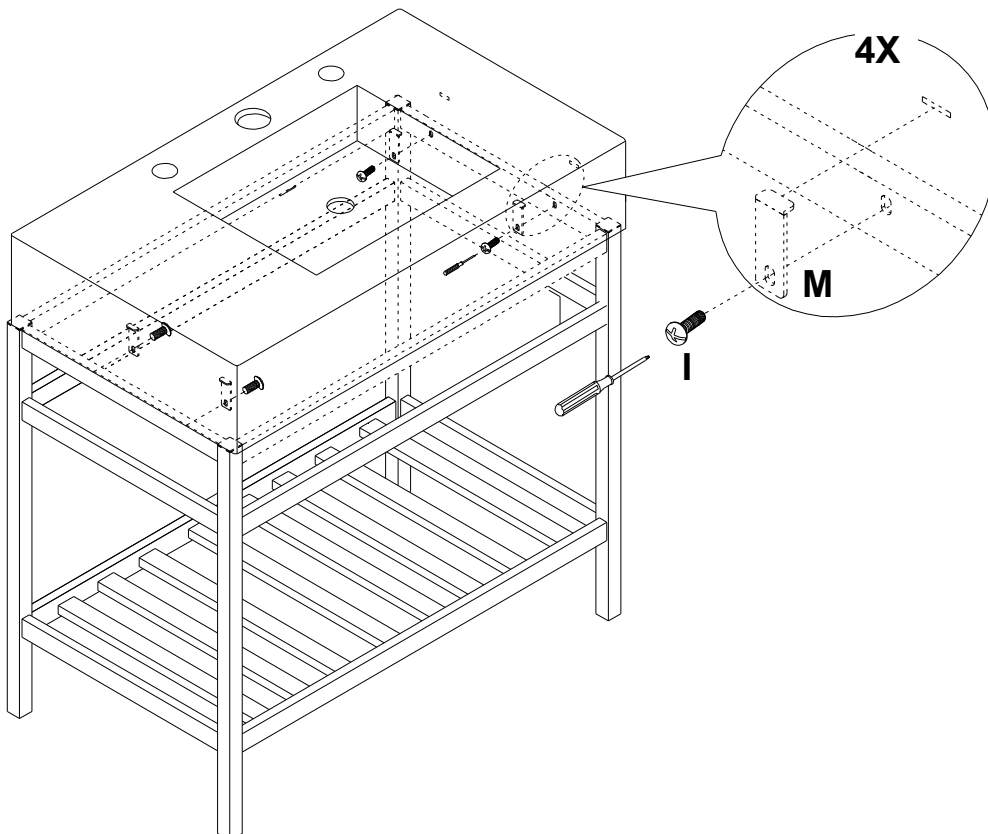
Avoid moving the top after it has been set into place. Allow the top to dry a minimum of 24 hours to allow for proper adhesion to the console.



Caution: For safe handling, 1-2 people are recommended.

Note: Always carry any natural stone vertically. Carrying stone products flat may cause cracking or breakage.

9. Attach L Shape bracket (M) to Marble Countertop (E) by using Bolt (I), tighten with Philip Head Screwdriver.



Care Instructions:**Console Care:**

Wipe cabinet with a soft, dry cloth. To protect the finish, avoid the use of all chemical and household cleaners and abrasives as they may damage finish.

Marble Care:

Marble is a natural material. The amount of veining and coloration will vary which is part of its inherent beauty. Marble is sensitive to acid, as it is a natural stone, which consists mainly of calcium carbonate. Please remove wine or fruit juice immediately from the surface of marble top. We strongly advise against use of acidic cleaners.

To maintain the marble top:

Consult with a professional at your local home supply store regarding sealer. Re-apply sealer every two years.

Clean frequently with a clean soft damp cloth. Use a mild liquid detergent and warm water.

Avoid all types of abrasive cleaners and rough cleaning pads. Do not use any products that contain acids, as this can cause the finish to dull.

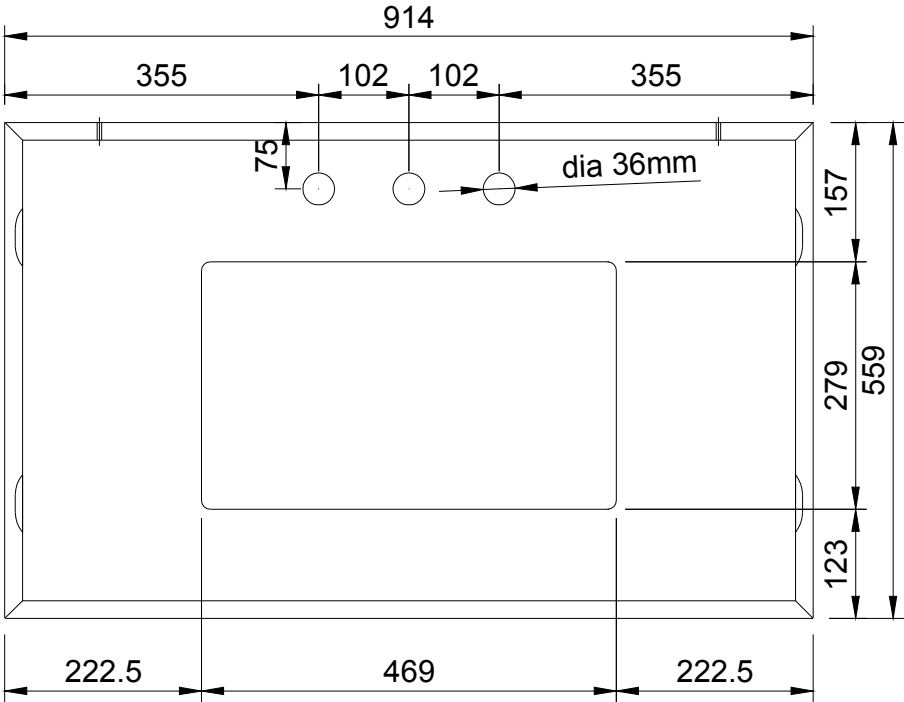
Liquid spills should be cleaned promptly.

Placing protective pads on the bottom of any heavy objects will help prevent scratching of the marble surface.

Do not place extremely heavy items on the marble top.

Thank you for your purchase
Stores | catalog

CLARENCE MARBLE TOP SINGLE



- 222.5mm= from side of marble top to side of the basin
- 424mm= from side of marble top to basin drain hole
- 123mm= from front of marble top to the front of the basin
- 157mm= from back of marble top to the back of the basin

