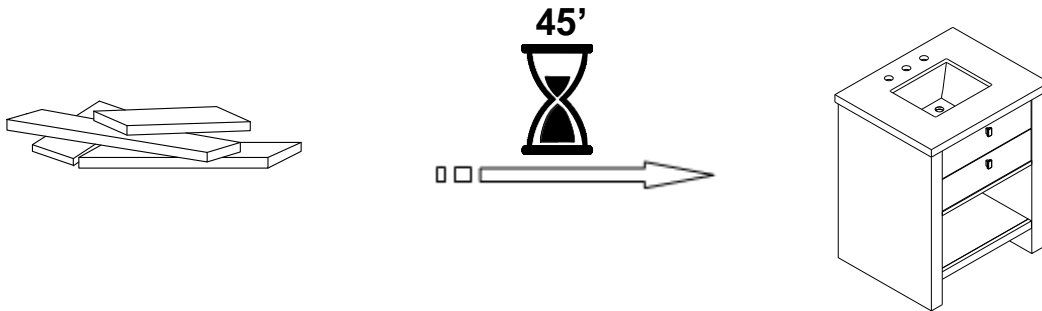


MODERN FARMHOUSE



⚠ ENGLISH

- Do not dispose of any packaging or contents of the shipping carton until assembly is completed to avoid accidentally discarding small parts or hardware.

⚠ FRANÇAIS

- Ne jetez rien des produits d'emballage et du contenu de la boîte jusqu'à ce que l'assemblage soit terminé, afin d'éviter de jeter par mégarde de petites pièces ou des morceaux.

⚠ ESPAÑOL

- Para evitar desechar accidentalmente las partes pequeñas o las piezas de ferretería, no tirar el embalaje o contenido de la caja hasta que el ensamblaje esté completo.

Care Instructions:

- Dust often using a clean, soft, dry and lint-free cloth.
- When blot spills, wipe with a clean, damp cloth immediately.
- We do not recommend the use of chemical cleansers, abrasives or furniture polish on our lacquered finish.
- Hardware may loosen over time. Periodically check to make sure all connections are tight. Re-tighten if necessary.

Instructions d'entretien :

- Épousseter régulièrement avec un chiffon propre, doux et non pelucheux.
- Éponger immédiatement les liquides renversés et essuyer à l'aide d'un chiffon propre et humide.
- L'utilisation de produits nettoyants chimiques, d'abrasifs ou d'encaustiques sur nos finitions laquées n'est pas recommandée.
- Le matériel de fixation peut se desserrer avec le temps. Vérifiez régulièrement afin de vous assurer que tous les raccords sont bien serrés. Resserrez-les au besoin.

Instrucciones de cuidado:

- Limpiar el polvo con un trapo limpio, suave, seco y libre de pelusas.
- Secar los derrames de inmediato y limpiar con un trapo limpio y húmedo.
- Recomendamos no usar limpiadores químicos, abrasivos o lustramuebles sobre el acabado barnizado.
- Las piezas de ferretería pueden aflojarse con el tiempo. Controlar periódicamente que estén bien ajustadas. Si es necesario, volver a ajustarlas.

THE VANITY MUST BE SECURED TO THE WALL.

NOTE: For safe mounting it is essential to use the proper hardware for your wall type. The hardware is not included, please consult your local hardware store for assistance in selecting the appropriate hardware. Mount to wood studs whenever possible.

Measure the location of the plumbing locations in the wall. Mark the back panel of the case corresponding to the location of the plumbing. Cut holes in the back panel for the plumbing to pass through.

Move the BASE to the desired placement against the wall. Use a sharp pencil or a screw to mark the wall through the holes on top rail.

NOTE: New holes can be drilled in the top back rail of the vanity to properly align with the wood studs.

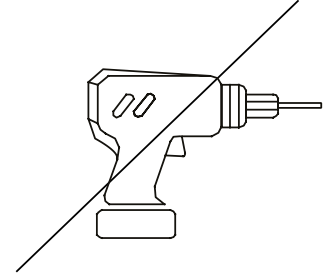
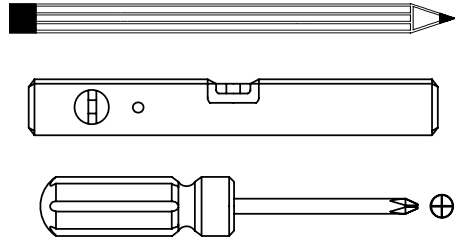
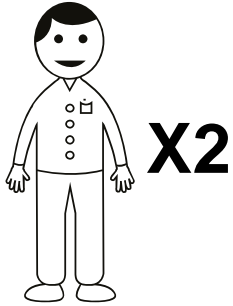
Williams-Sonoma Inc.

Assembly Instructions
Instructions d'assemblage
Instrucciones de Ensamblaje

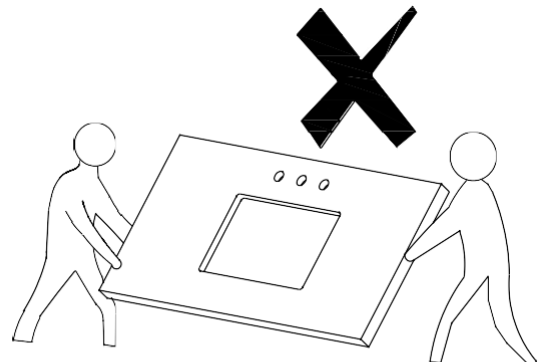
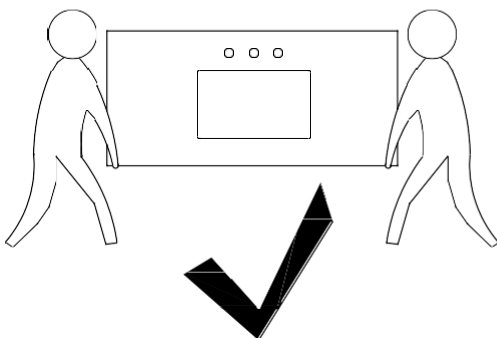
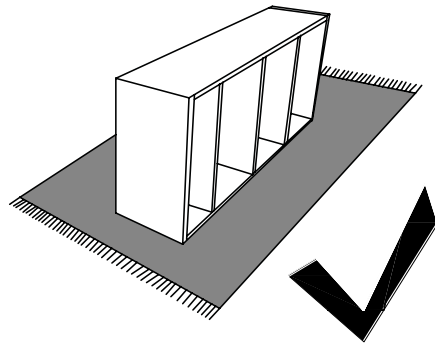
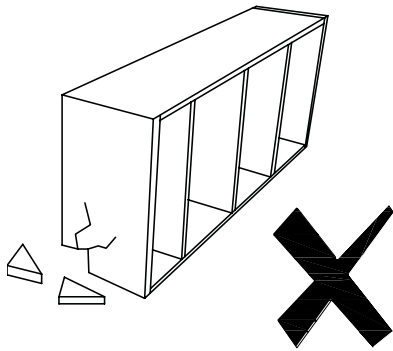
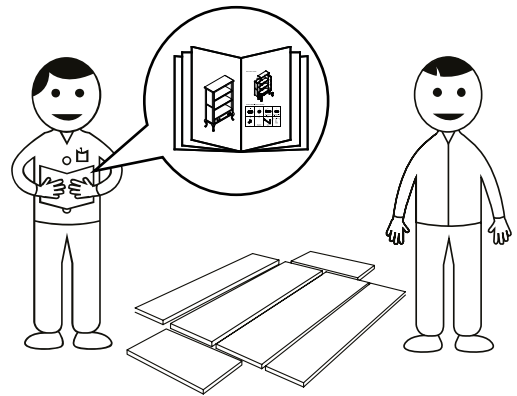
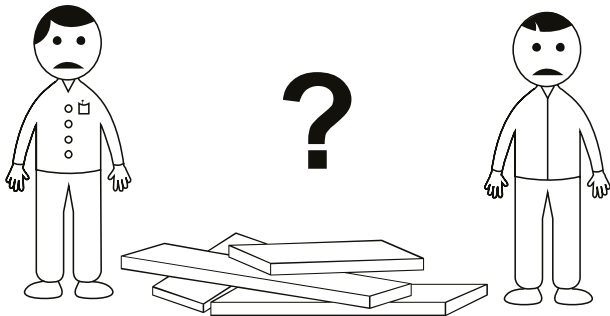
Pottery Barn – Pottery Barn Teen – Pottery Barn Kids – Williams Sonoma Home – West Elm – Rejuvenation – Mark and Graham - GreenRow

JUL-19-2023

4/13



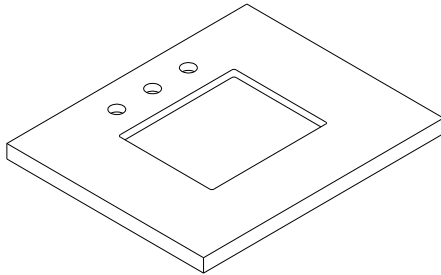
(NOT INCLUDED / NON INCLUS / NO INCLUIDAS)



BOX CONTENTS

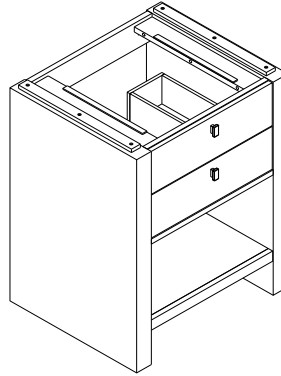
Box 1 of 1

A



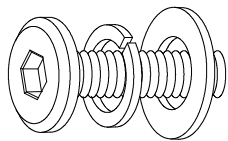
1X

C



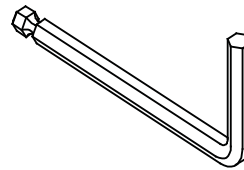
1X

D



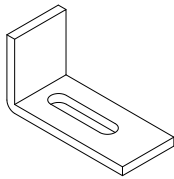
Ø1/4" x 1-1/2"
4X

E



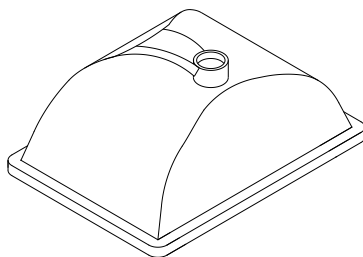
1X

F



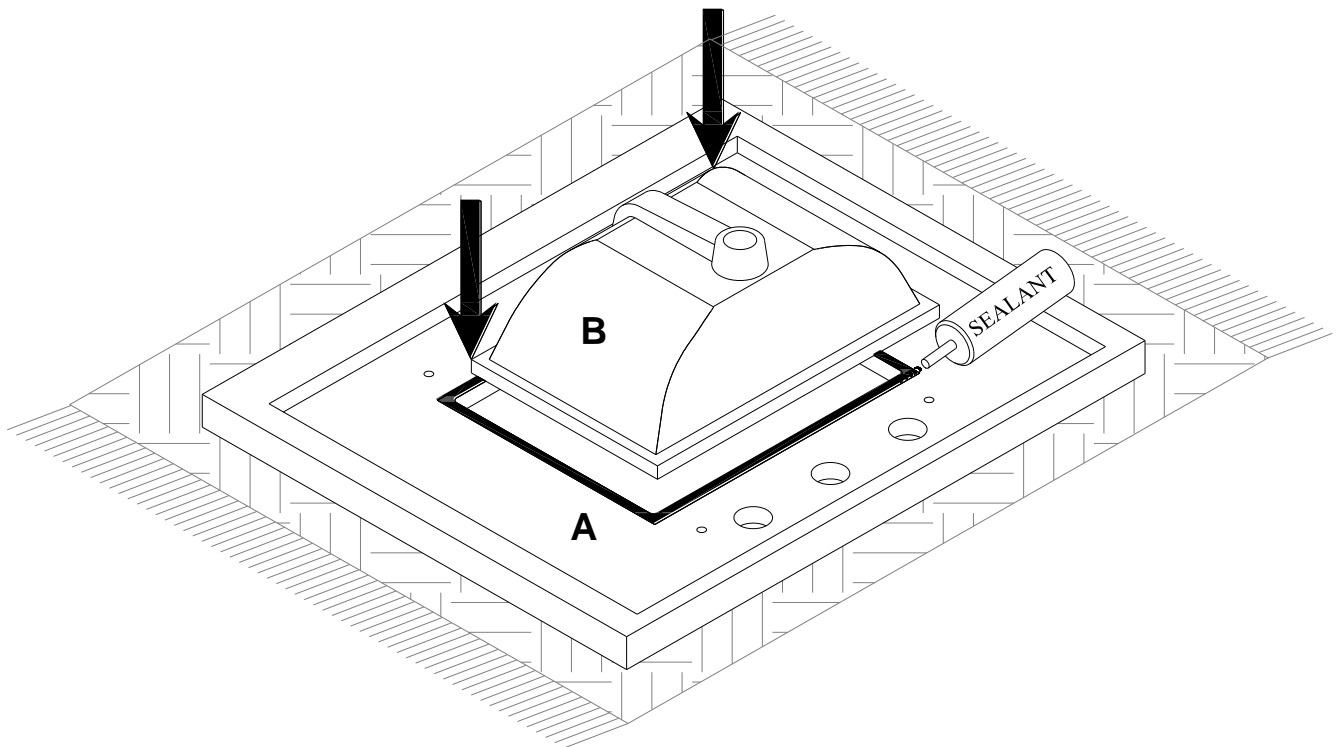
4X

B

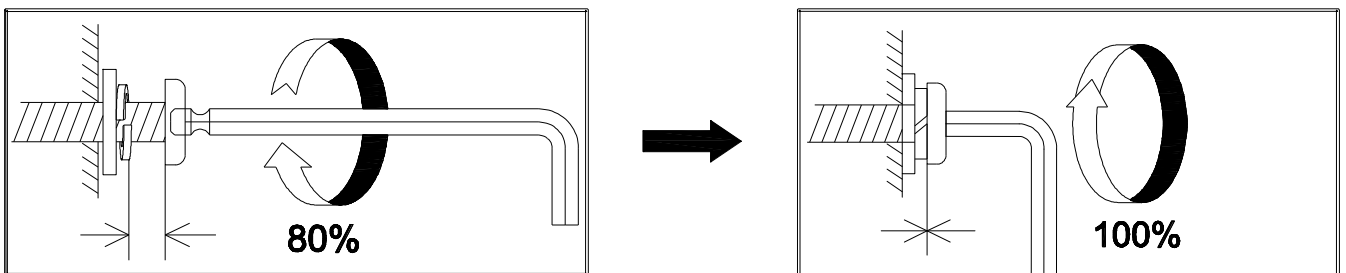
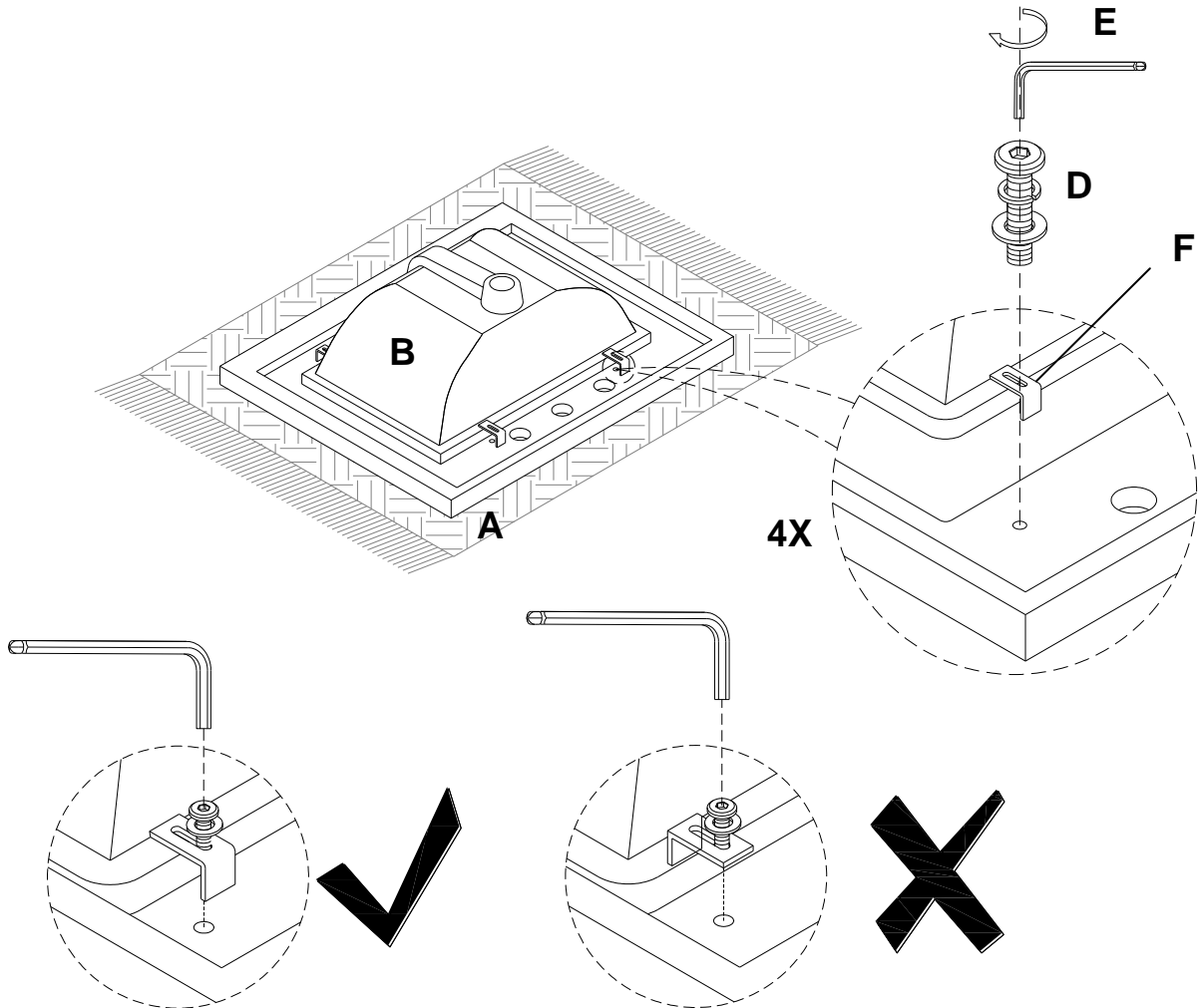


SOLD SEPARATELY

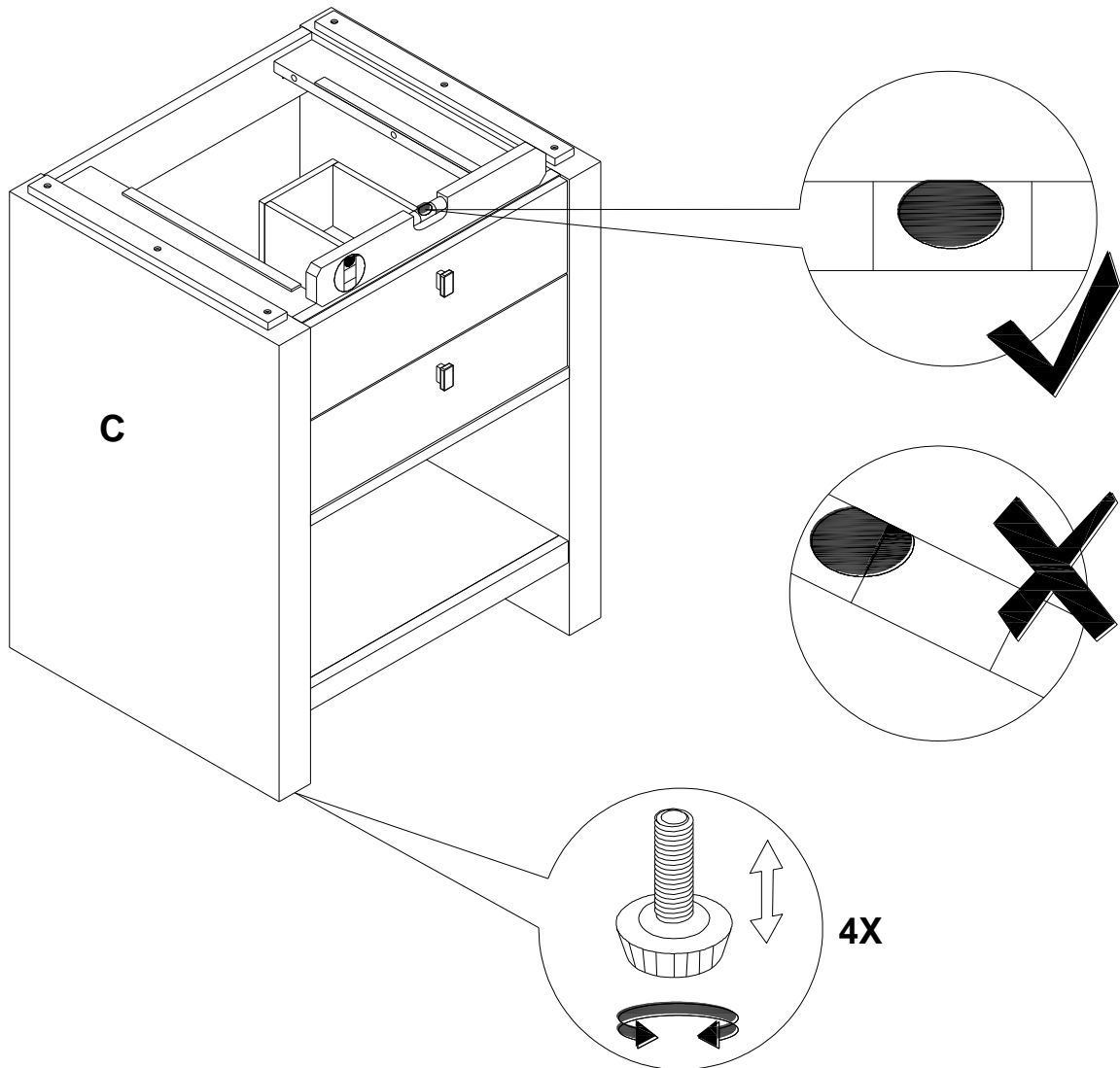
1



2



3

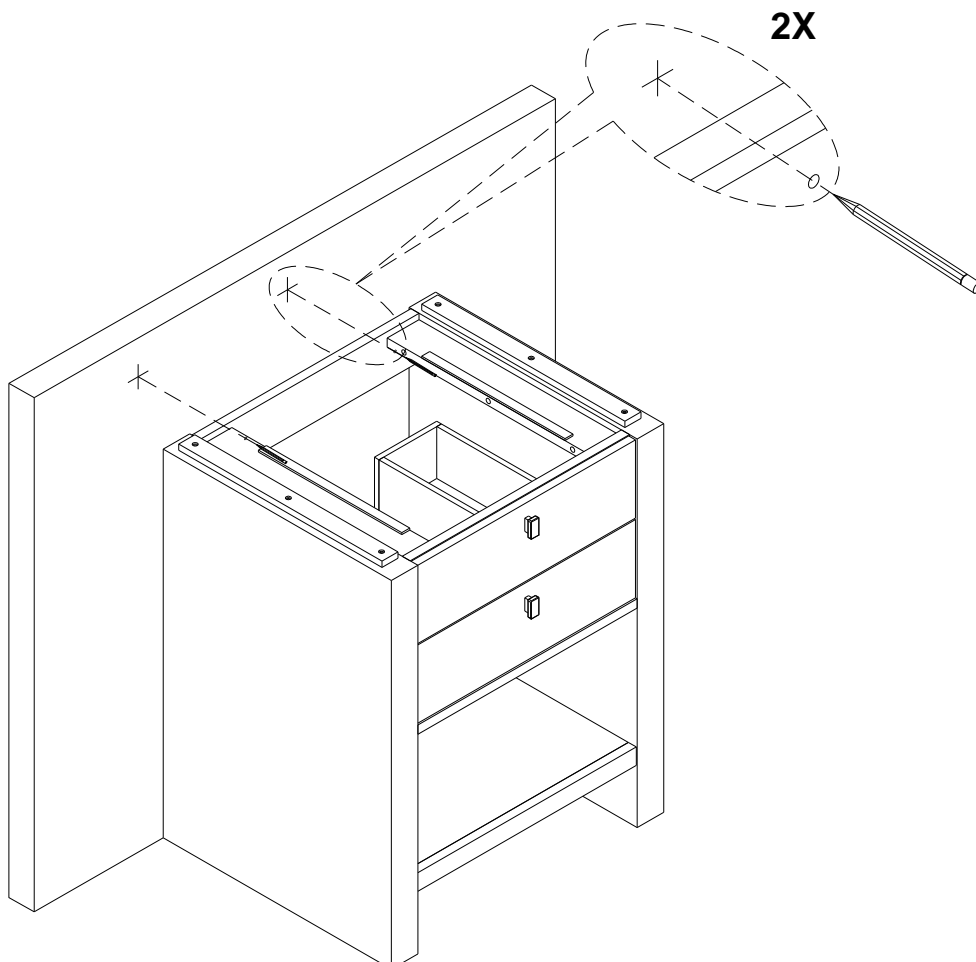


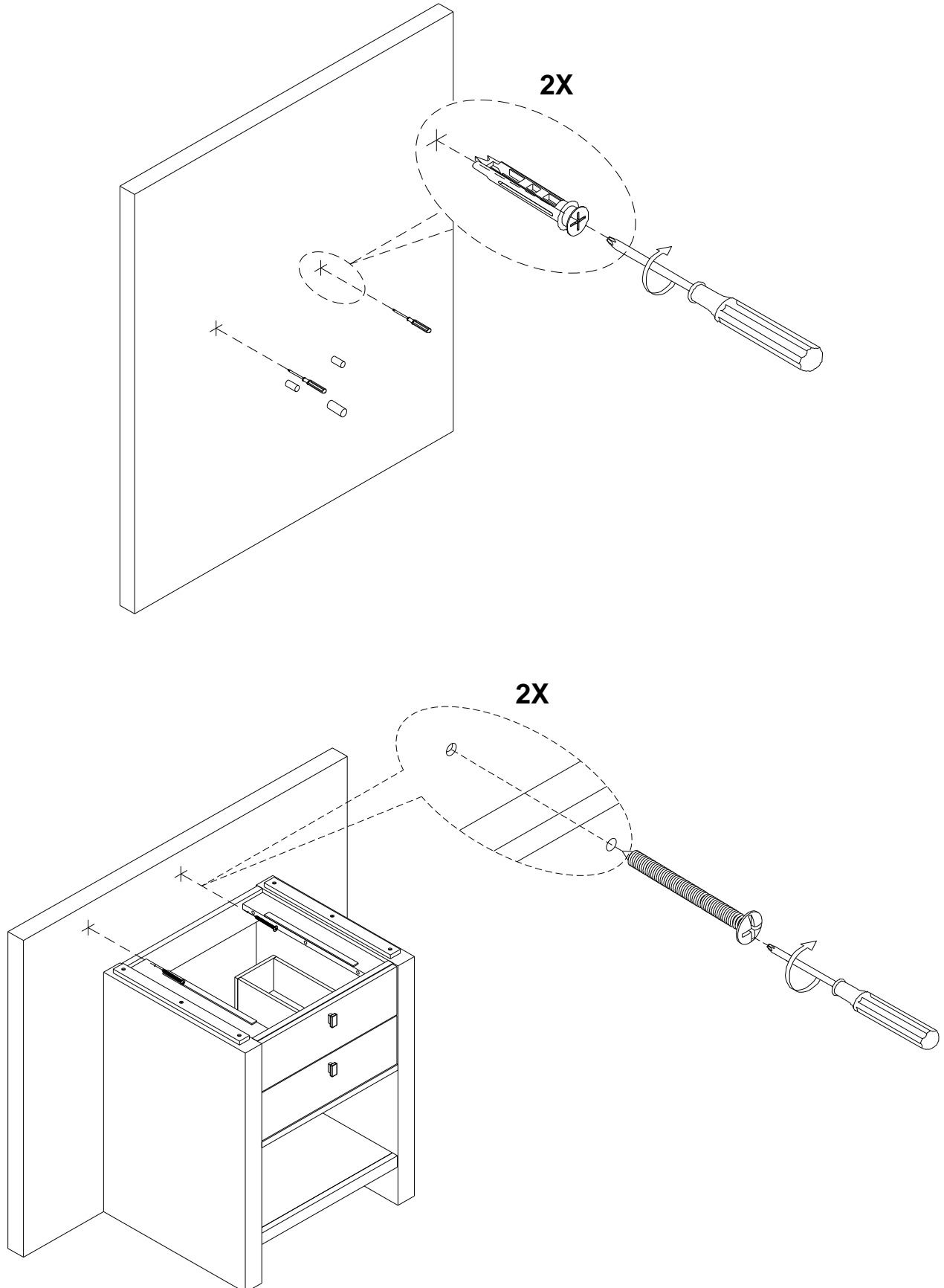
4

MOUNT THE BASE TO THE WALL- The Base must be secured to the wall.

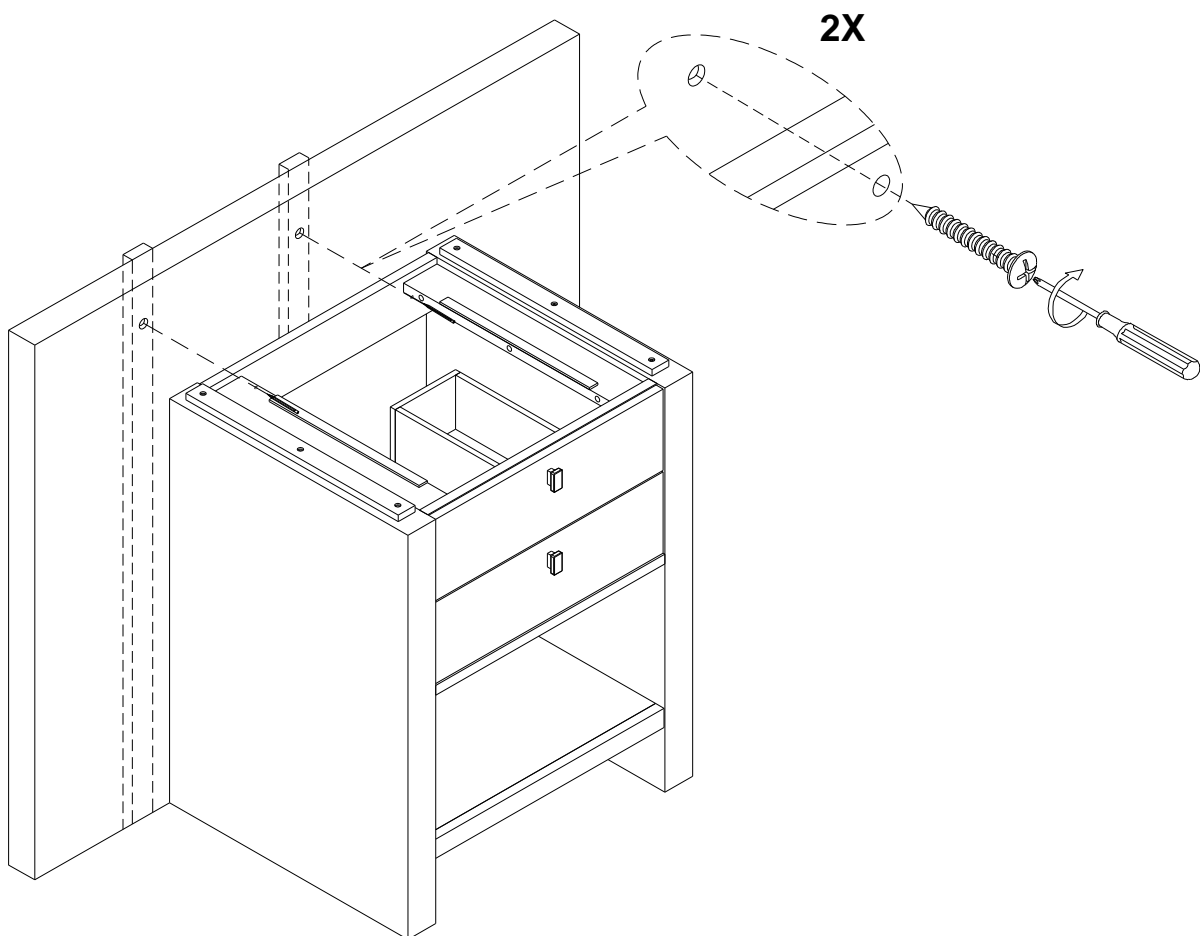
NOTE: For safe mounting it is essential to use the proper hardware for your wall type. The hardware included is meant for drywall or wood stud mounting only. If walls are concrete, brick or plaster, please consult your local hardware store for assistance in selecting the appropriate hardware. Mount to wood studs whenever possible.

- 1) Move the BASE to the desired placement against the wall. Use a sharp pencil or a screw to mark the wall through the holes on top rail (C). These marks are the insertion marks for the provided hardware.
- 2) The provided toggle (J) is needed for drywall applications, but cannot penetrate into wall studs (wood) Therefore, we recommend that you use a stud finder to determine if any of the insertion marks align with a wall stud. If so, only a Mounting Screw (L) will be used at that mark. If not, then both a Toggle (J) and a Toggle screw (K) will be used.
- 3) For drywall mounting: using a screwdriver to engage a Toggle (J) and position the toggle tip against the wall at the insertion mark. Gently push the toggle into the wall as you rotate the toggle clockwise. Continue rotating until the large flange of the toggle is flush with the wall.
- 4) Once the Toggle (J) is installed into the wall at the marked locations, return the BASE to the wall. Use a screwdriver to secure the BASE through toggle screw (K) into the toggle.





- 5) For stud mounting: Use a screwdriver to secure the BASE through Mounting Screw (L) at the marked locations, simply drive down Mounting Screw (L) for securing.



5

