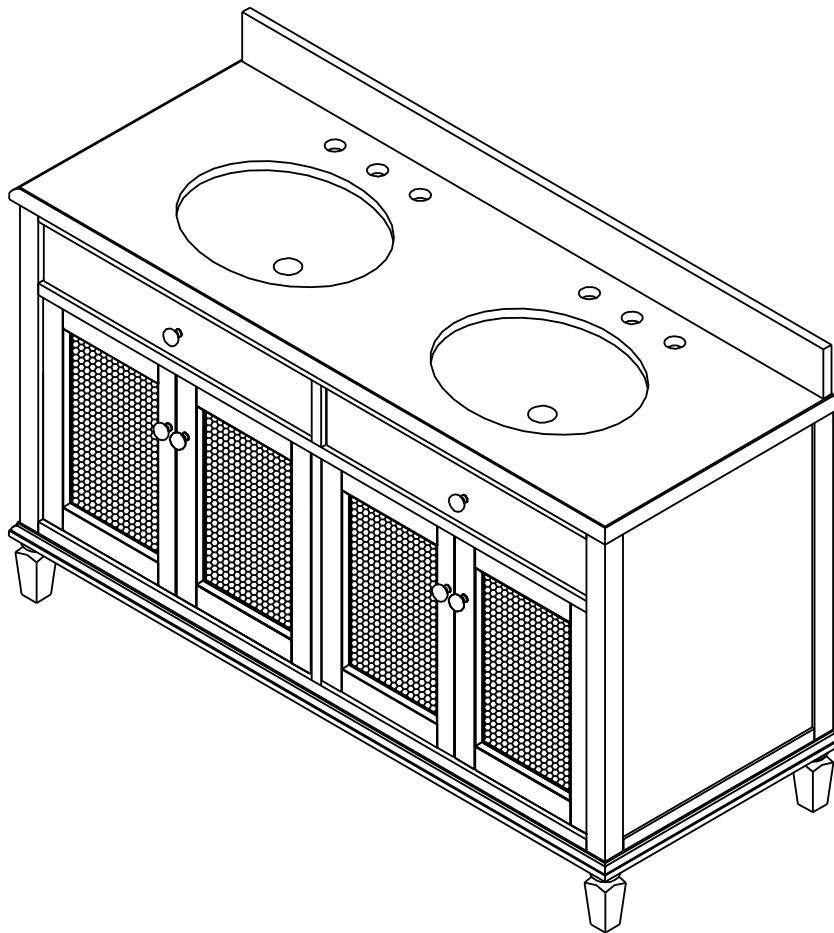


# POTTERY BARN



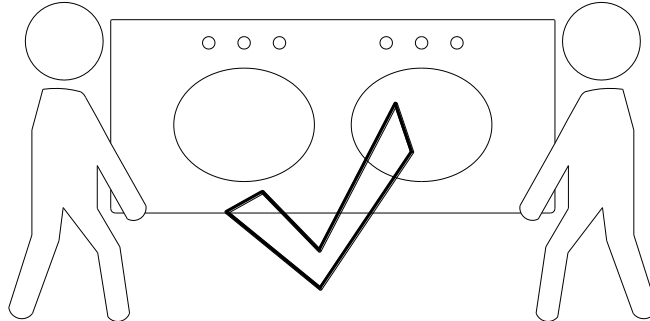
## SAUSALITO BATH CONSOLE DOUBLE

**Important Safety Instructions:**

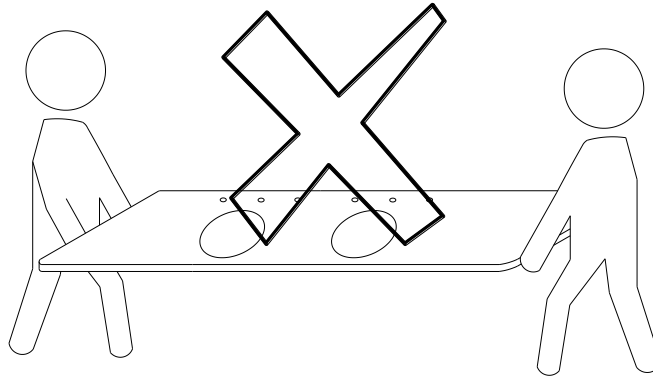
Keep natural stone materials in its packaging until installation and store on its edge.

**CAUTION:** When removing natural stone product from its package, always ensure it is removed vertically on its long edge.

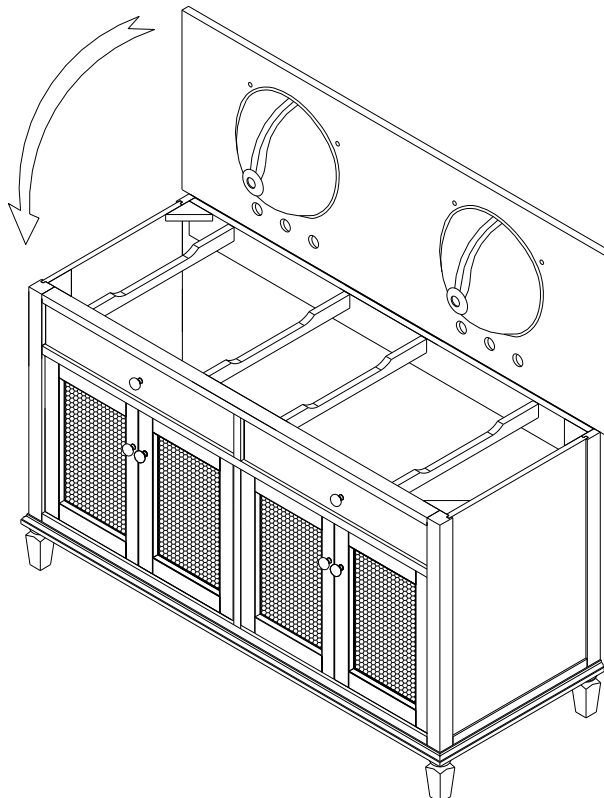
- Always carry natural stone product vertically on its long edge.



- Carrying natural stone flat WILL cause them to crack or break.



- Place top as close as possible to the final desired location.



- **NOTE:** Avoid moving the top after it has been set into place.

- **PROFESSIONAL INSTALLATION REQUIRED - Contractor and Plumber needed for Installation.**
- Please read all instructions carefully before assembling.
- For your safety, assembly by two or more adults is strongly recommended.
- Keep instructions for future use.
- Use only vendor supplied hardware to assemble. Using unauthorized hardware could jeopardize the structural integrity of the item.

**Pre-assembly:**

- Remove all parts and hardware from the box and lay out on a clear carpeted or scratch-free work surface, as this will avoid damaging parts during assembly. The shipping box provides an ideal work surface.
- Do not dispose of any packaging or contents of the shipping carton until assembly is completed to avoid accidentally discarding small parts or hardware.
- Use the parts and hardware lists below to identify and separate each of the pieces included.
- The illustrations provided allow for easier assembly when used in conjunction with the assembly instructions.
- The use of power tools to aid in assembly is not recommended. Power tools can damage hardware and split wood.
- **Keep all parts out of the reach of children.**
- **A standard 8" spread faucet should be used with this Marble top console.**

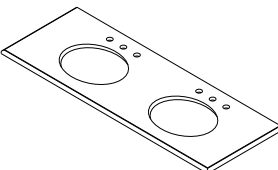
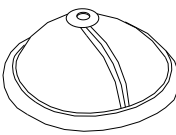
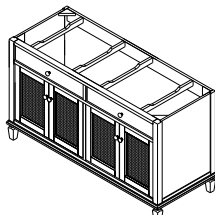
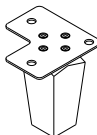
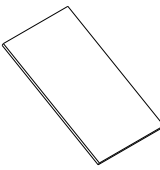
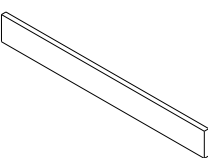
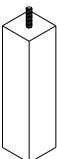
**Note:** The Marble top is fragile. In order to preserve its integrity, it is important to limit the amount of handling it gets. Due to the nature of this natural material, slight chipping or cracking may result with excessive handling or if placed on a hard surface.

The Marble top, even when it is still packed, should never lie flat, except for when it is placed on top of the console or during unpacking. Please note that arrows on the package indicate the side to be placed up while storing. Marble should be unpacked with extreme care. Once unpacked, the marble top should be placed directly on top of the console. If placing down, marble top should only be placed on its end and on a very soft, cushioned surface such as a rug or thick toweling.

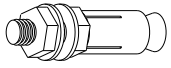
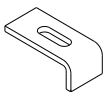
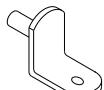
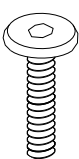
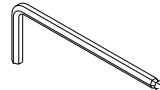
**Note:** Consoles usually need to be leveled and mounted to both wall and floor. Some hardware items needed for proper assembly and installation are not included: ex. shim, spacer, high quality silicone or acrylic based bath sealant, etc. **DO NOT USE PLUMBERS PUTTY OR ANY OIL BASED SEALANT AS THIS WILL STAIN THE MARBLE.**

**Note:** Some cutting and drilling may be necessary to mount console base to wall or to shape shelves for under-sink hardware or plumbing.

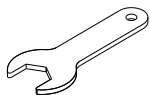
**Parts Included:**

<b>Parts Included:</b>				
<p>(A) Marble countertop</p>  <p>1x</p>	<p>(B) Basin</p>  <p>2x</p>	<p>(C) Console Base</p>  <p>1x</p>	<p>(D) Foot</p>  <p>4x</p>	<p>(E) Adjustable Shelf</p>  <p>2x</p>
<p>(F) Back Splash</p>  <p>1x</p>	<p>(L) Support Foot</p>  <p>1x</p>			

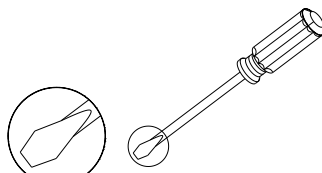
**Hardware Included:**

(G) Anchor  8x	(H) L Shape Bracket  8x	(I) Shelf pin  8x	(J) Bolt  12x	(K) Allen Key  1x
--	--	---	---	--

**Tools Required (Not Included):**



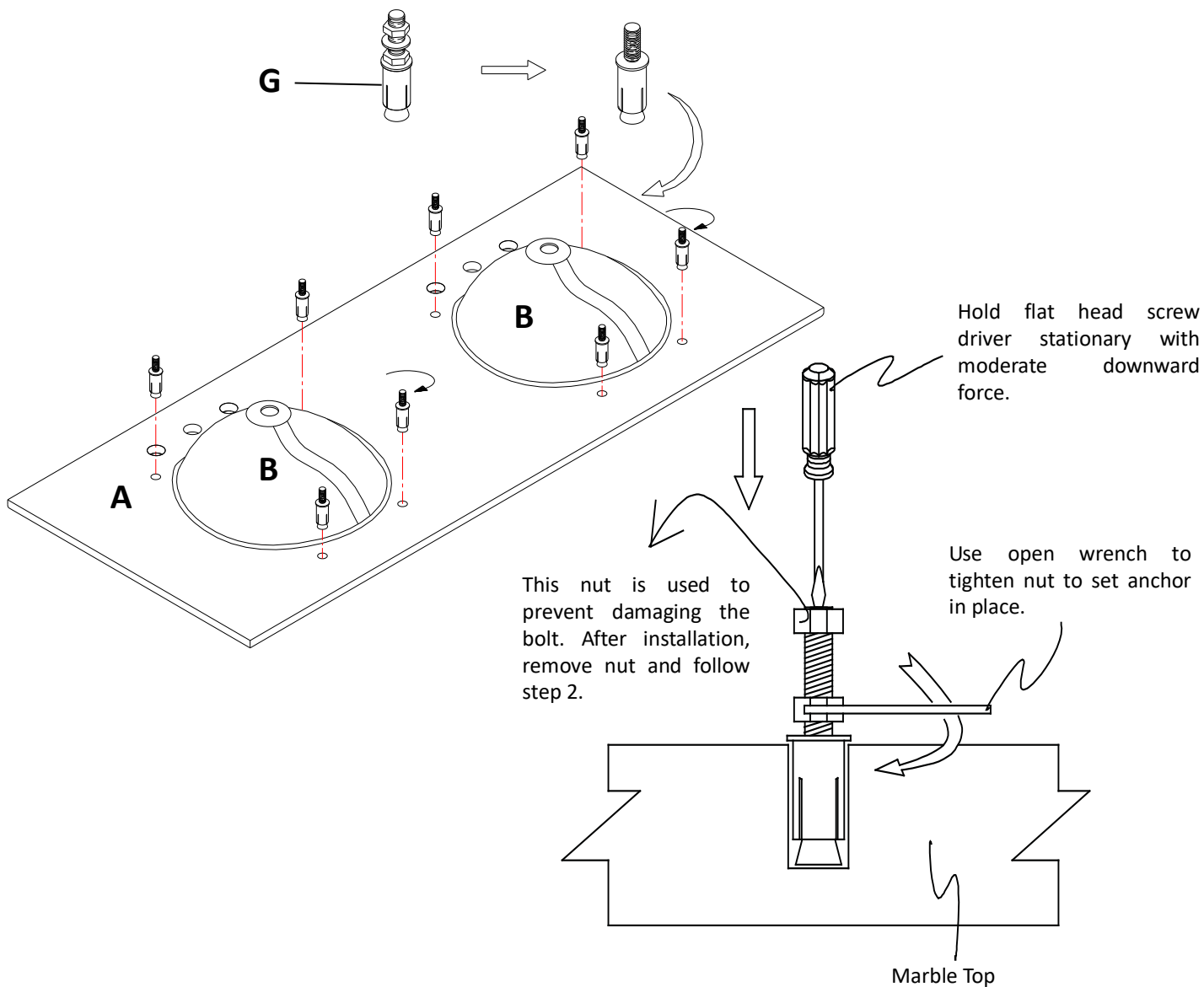
Open Wrench



Flat Head Screwdriver

**Assembly Instruction Steps:**

1. Position the basins (B) by placing over the marble top (A) cutout. Remove top washer and nut from anchor (G). Carefully set the threadless anchor end into the predrilled holes at backside of countertop.



2. Basin installation:

- 1) Place the L shape brackets (H), top washer and nut in succession through the other end of anchor. Secure by tightening the nut with a wrench.

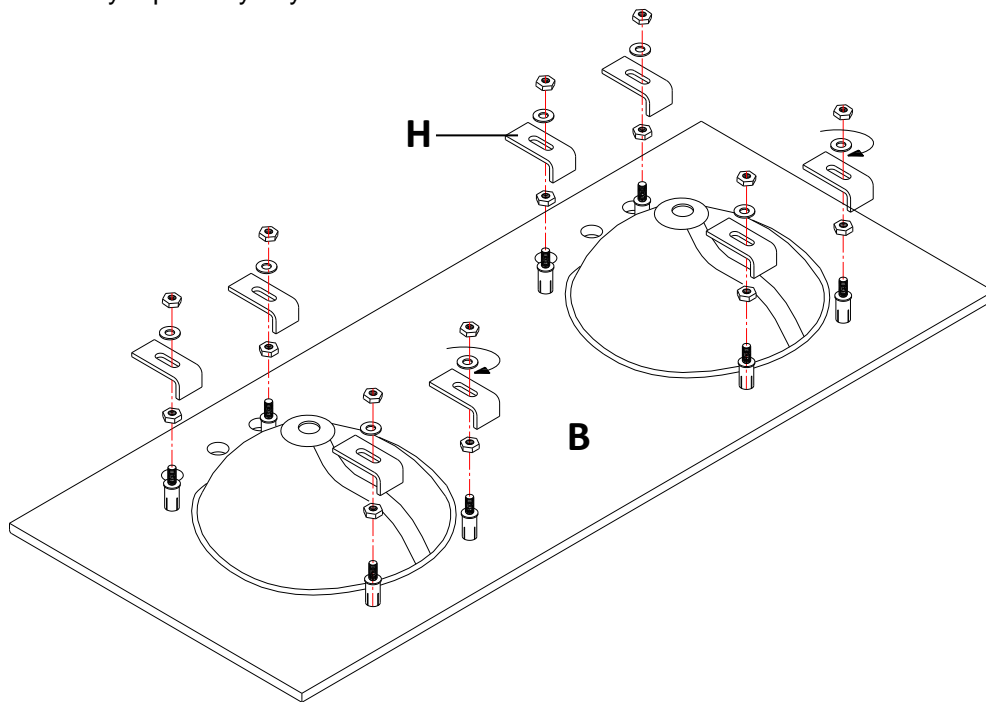
**Note:** position the basin (B) squarely under the cutout before fixing L shape brackets tightly, don't tighten the brackets at this stage.

- 2) Apply a continuous bead of high quality silicone or acrylic based bath sealant to the basin rim where it will contact the countertop. **DO NOT USE PLUMBERS PUTTY OR ANY OIL BASED SEALANT AS THIS WILL STAIN THE MARBLE.** Note: Don't use adhesives or adhesive sealants.

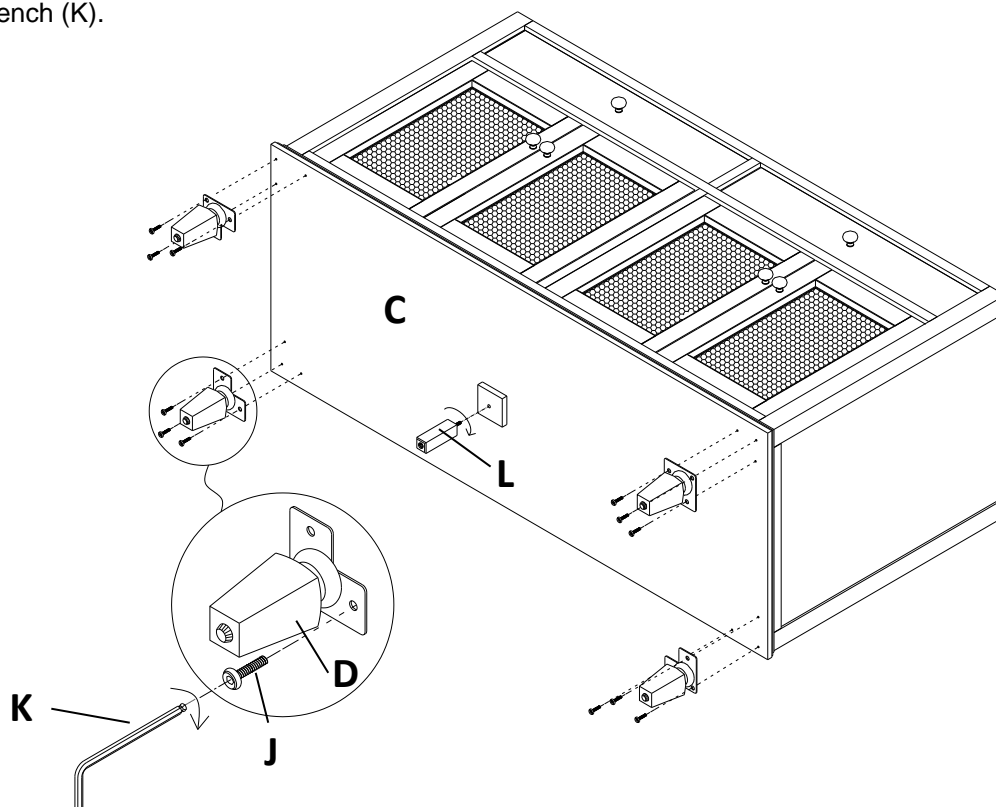
Draw the basin rim up to the countertop until it is snug.

**CAUTION: TO AVOID BKAGE, DON'T OVER-TIGHTEN WITH WRENCH.**

Immediately wipe away any excessive sealant.



3. Turn the Support Leg (L) on to the Console. Secure the Foot (D) to the Base (C) with the Bolt (J) by Allen wrench (K).



4. Leveler adjustment:

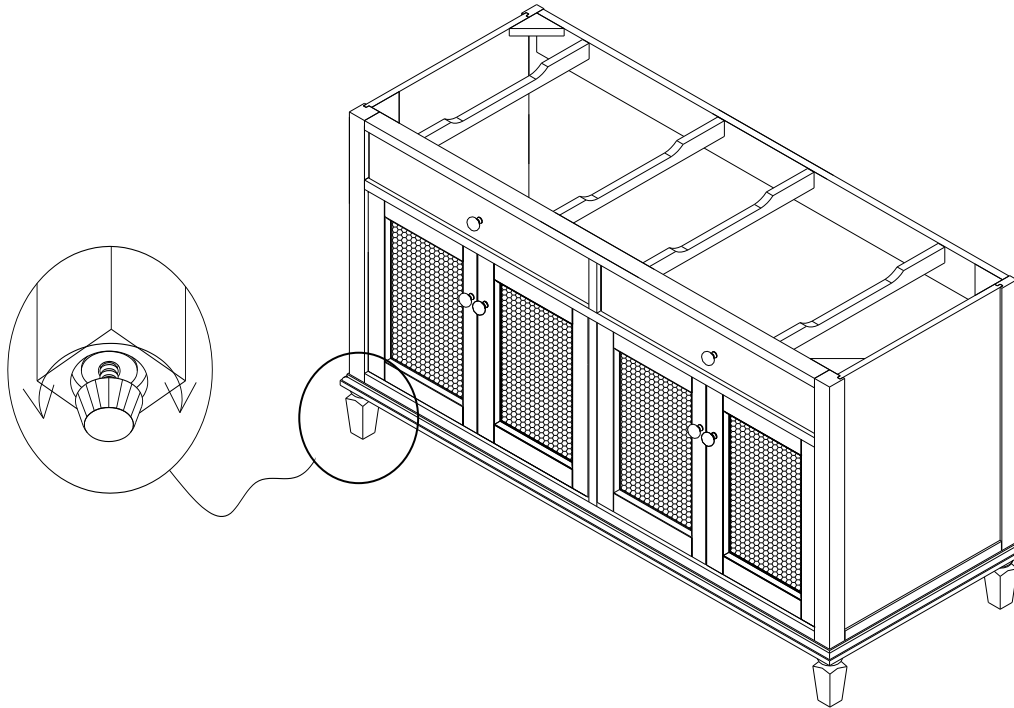
Date: 13-Dec-16

[www.potterybarn.com](http://www.potterybarn.com)

Page 5 of 9

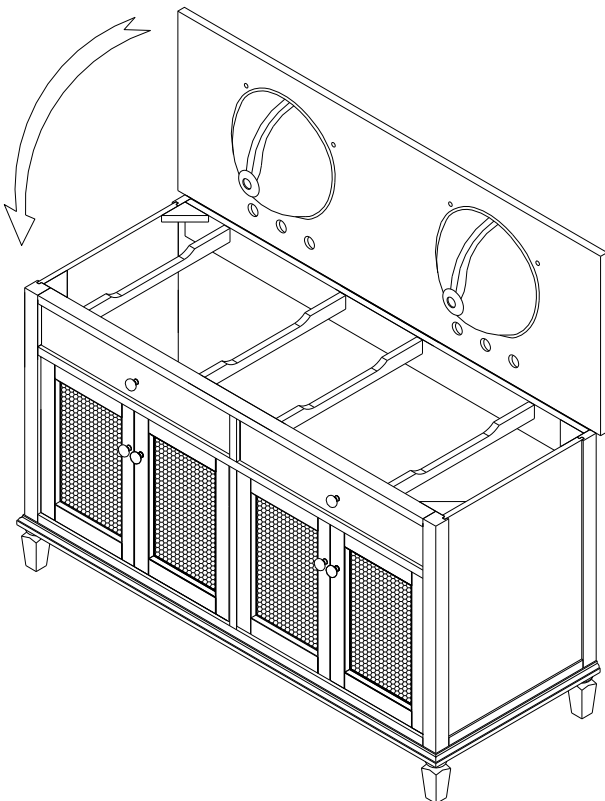
**Note:** Before installing marble top onto console base; console needs to be properly leveled, shimmed (if necessary), and secured to floor and wall as required.

Levelers are pre-installed on the corner of bottom console and adjust as needed to make sure the console is level. Turn counter-clockwise to increase height, clockwise to decrease height.



5. If needed, mounting blocks need to be centered on the sides and even with the top of the console. Use a dry cloth to wipe off any dirt or dust from the top edge of console, apply high quality silicone or acrylic based bath sealant to top edge of console. **DO NOT USE PLUMBERS PUTTY OR ANY OIL BASED SEALANT AS THIS WILL STAIN THE MARBLE.**

Carefully lift up the marble countertop (A) with basin attached to place it onto the console base.



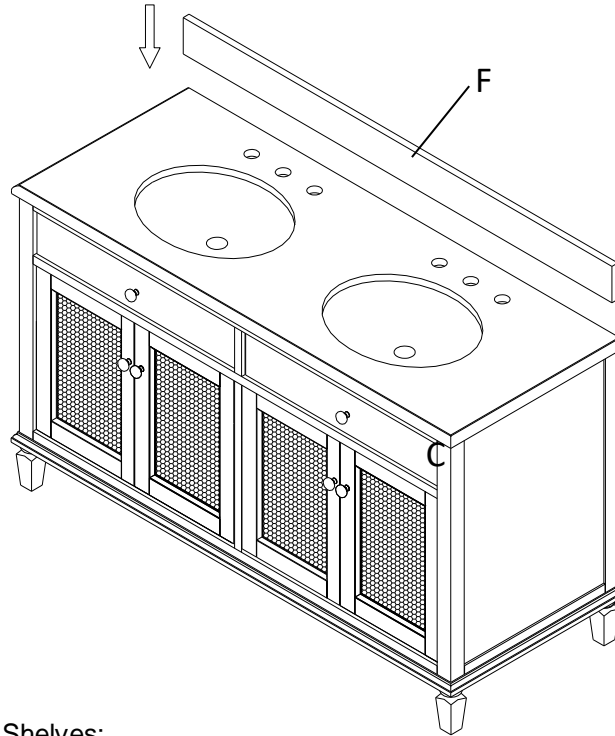
**Caution:** For safe handling, 2-3 people are recommended.

**Note:** Always carry any natural stone vertically. Carrying stone products flat may cause cracking or breakage.

6. Use high quality silicone or acrylic based bath sealant to install back splash ( F ) in place, clean up any excess immediately with a clean damp rag. **DO NOT USE PLUMBERS PUTTY OR ANY OIL BASED SEALANT AS THIS WILL STAIN THE MARBLE** . Wipe off any excess wax or residue that may have accumulated around sink area.

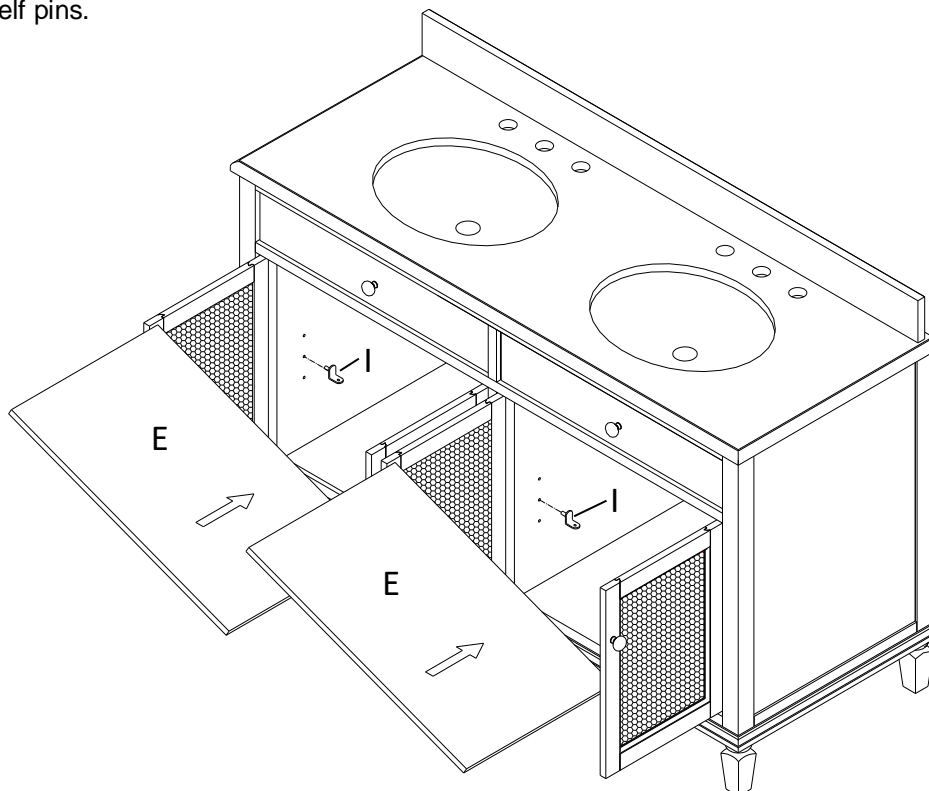
Adjust the basin position to make sure drain holes are right on top of the cutout for drainpipe on the shelf. Now, secure the basin tightly.

**Avoid moving the top after it has been set into place. Allow the top to dry a minimum of 24 hours to allow for proper adhesion to the console.**



7. Installing the Adjustable Shelves:

Insert the shelf pin (I) into the desired position holes on the side panels, and then gently place the shelf (E) onto the shelf pins.



## Care Instructions:

- **Console Care:**

Wipe cabinet with a soft, dry cloth. To protect the finish, avoid the use of all chemical and household cleaners and abrasives as they may damage finish.

- **Marble Care:**

Marble is a natural material, the amount of veining and coloration will vary which is part of its inherent beauty. Marble is sensitive to acid, as it's kind of natural stone, and consists mainly of calcium carbonate; please remove wine or fruit juice immediately from the surface of marble top. We strongly advise to avoid using acidic cleaners.

- **To maintain the marble top:**

Consult with a professional at your local home supply store regarding sealer. Re-apply sealer every two years.

Clean frequently with a clean soft damp cloth. Use a mild liquid detergent and warm water.

- Avoid all types of abrasive cleaners and rough cleaning pads. Do not use any products that contain acids on the marble as this can cause the finish to dull.
- Liquid spills should be cleaned up promptly.
- Placing protective pads on the bottom of any heavy objects will help prevent scratching of the marble surface.
- Do not place extremely heavy items on the marble top.

