

SAUSALITO

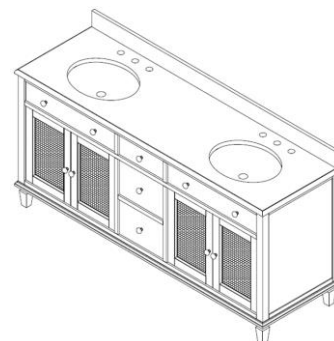
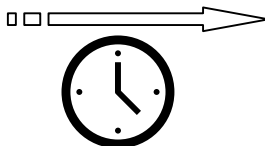
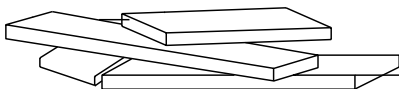
PROFESSIONAL INSTALLATION REQUIRED - CONTRACTOR AND PLUMBER needed for Installation.

- Please read all instructions carefully before assembling.
- For your safety, assembly by two or more adults is strongly recommended.
- Keep instructions for future use.
- Use only vendor supplied hardware to assemble. Using unauthorized hardware could jeopardize the structural integrity of the item.
- The Vanity Base must be secured to the wall. Wall attachment hardware is not included. For safe mounting it is essential to use the proper hardware for your wall type. If walls are drywall or wood stud, concrete, brick or plaster, please consult your local hardware store for assistance in selecting the appropriate hardware.
- Note: Consoles usually need to be leveled and mounted to both wall and floor. Some hardware items needed for proper assembly and installation are not included: ex. shim, spacer, high quality silicone or acrylic based bath sealant, etc.
- **DO NOT USE PLUMBERS PUTTY OR ANY OIL BASED SEALANT AS THIS WILL STAIN THE MARBLE.**
Note: Some cutting of the baseboard, and drilling may be necessary to mount console base to wall.

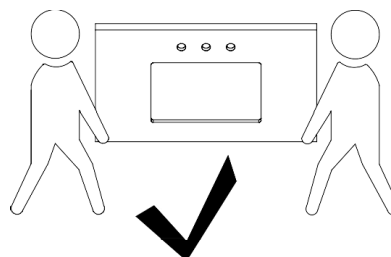
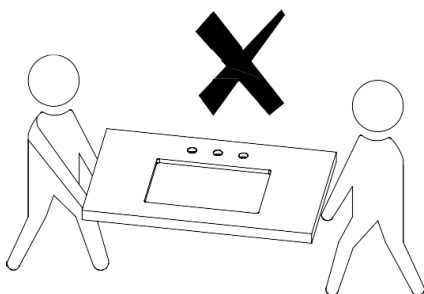
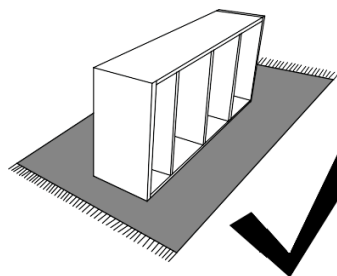
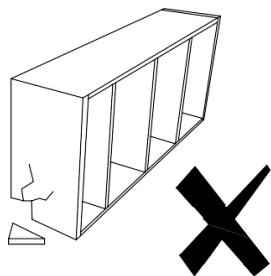
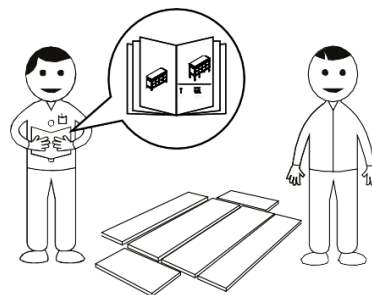
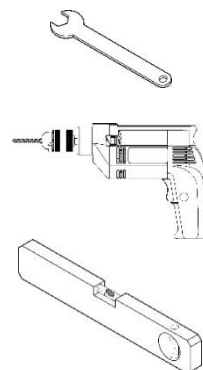
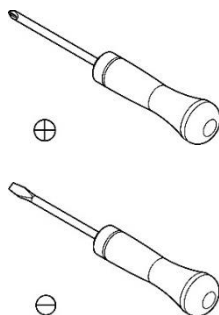
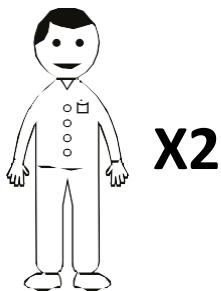
PRE-ASSEMBLY:

- Remove all parts and hardware from the box and lay out on a clear carpeted or scratch-free work surface, as this will avoid damaging parts during assembly. The shipping box provides an ideal work surface.
- Do not dispose of any packaging or contents of the shipping carton until assembly is completed to avoid accidentally discarding small parts or hardware.
- Use the parts and hardware lists below to identify and separate each of the pieces included.
- The illustrations provided allow for easier assembly when used in conjunction with the assembly instructions.
- The use of power tools to aid in assembly is not recommended. Power tools can damage hardware and split wood.
- Keep all parts out of the reach of children.
- A standard 8" spread faucet should be used with this Marble top console.

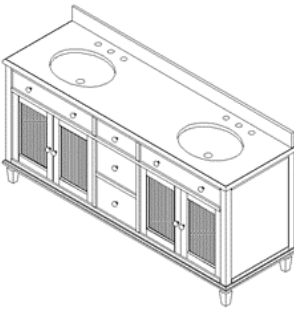
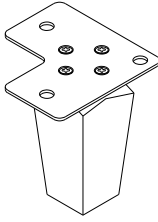

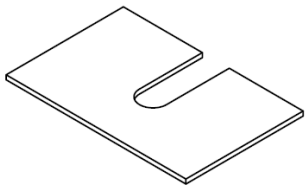
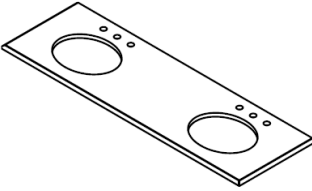
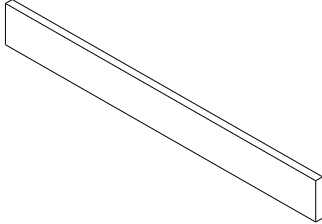
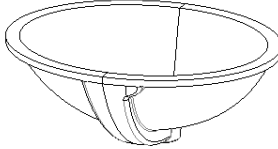

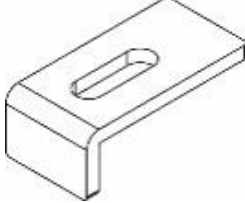
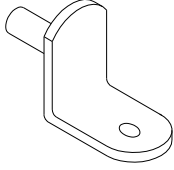
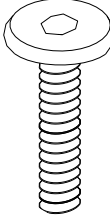
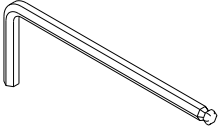
30'



Tool Required (not included)



BOX CONTENTS

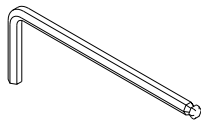
<p>A</p>  <p>1X</p>	<p>B</p>  <p>4X</p>	<p>C</p>  <p>2X</p>	<p>D</p>  <p>2X</p>
<p>E</p>  <p>1x</p>	<p>F</p>  <p>1X</p>	<p>G</p>  <p>2X</p>	<p>H</p>  <p>8X</p>
<p>I</p>  <p>8X</p>	<p>J</p>  <p>8X</p>	<p>K</p>  <p>12X</p>	<p>L</p>  <p>1X</p>

1 ATTACH THE FEET ON THE VANITY BASE.

Turn the Support Leg (C) on to the Console. Secure the Foot (B) to the Base (A) with the Bolt (K) by Allen wrench (L).

Tools Required (not included)

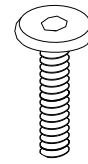
L



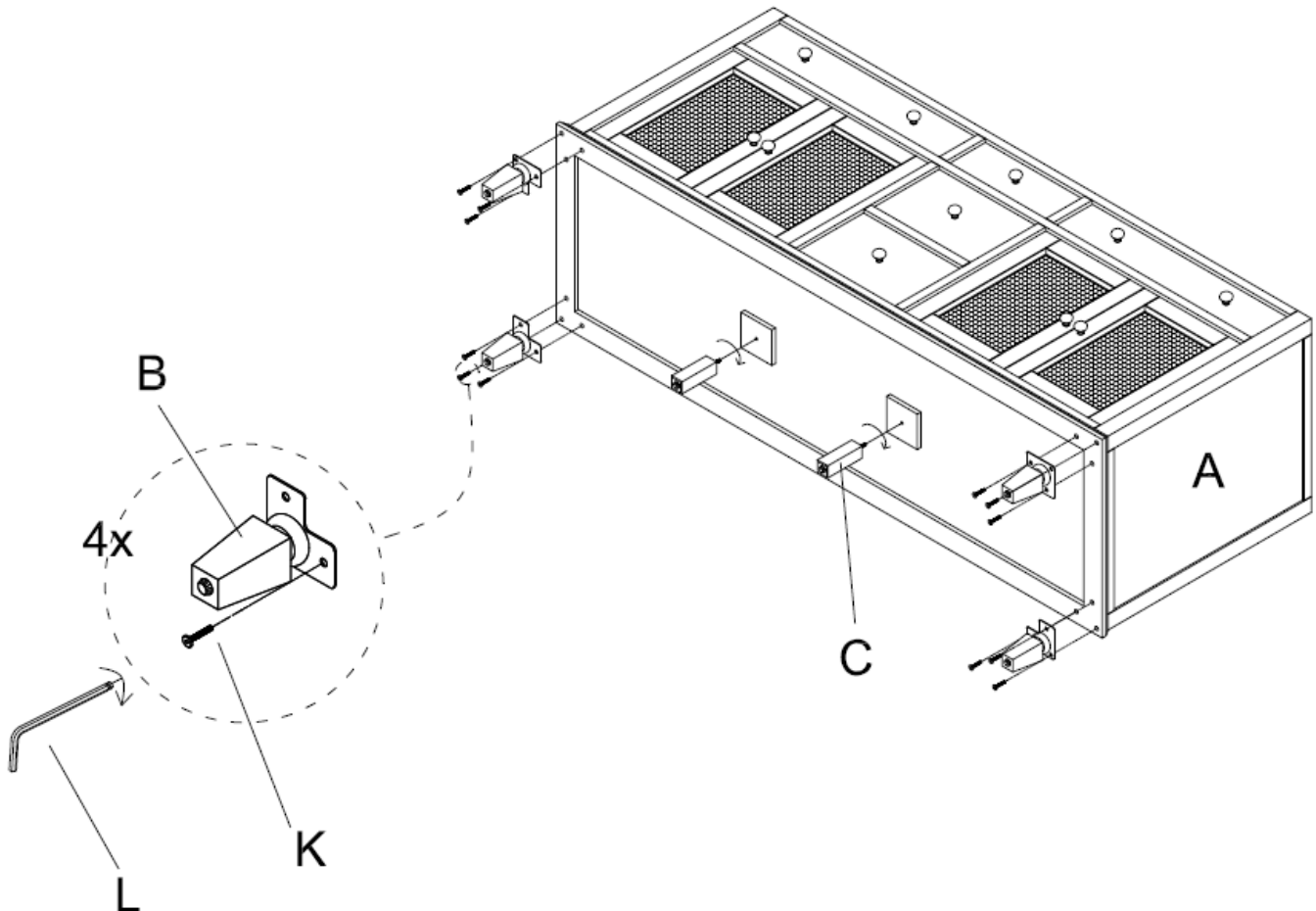
1X

Hardware Included

K



12X



2. ATTACH VANITY CASE TO WALL

THE VANITY MUST BE SECURED TO THE WALL.

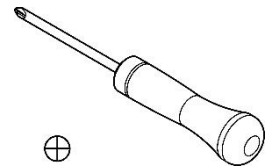
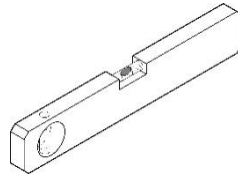
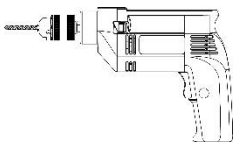
NOTE: For safe mounting it is essential to use the proper hardware for your wall type. The hardware is not included, please consult your local hardware store for assistance in selecting the appropriate hardware. Mount to wood studs whenever possible.

Measure the location of the plumbing locations in the wall. Mark the back panel of the case corresponding to the location of the plumbing. Cut holes in the back panel for the plumbing to pass through.

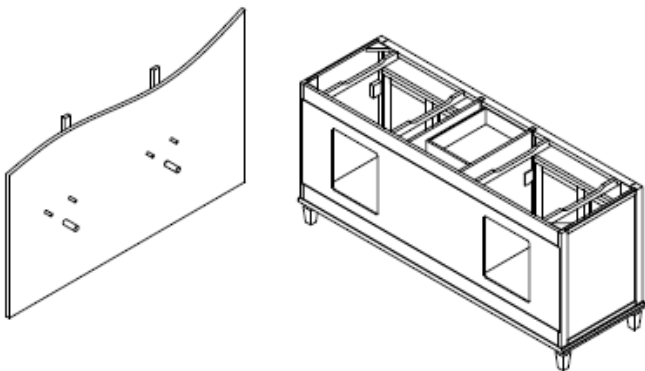
Move the BASE to the desired placement against the wall. Use a sharp pencil or a screw to mark the wall through the holes on top rail.

NOTE: New holes can be drilled in the top back rail of the vanity to properly align with the wood studs.

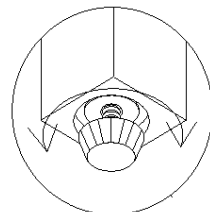
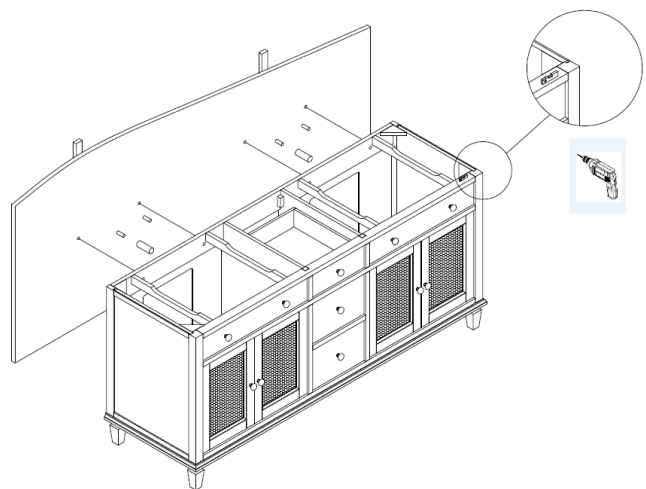
Tools Required (not included)



Measure plumbing locations and transfer to vanity back panel to make cut-outs. Mark vanity mounting hole locations on wall.



Install proper mounting hardware in wall. Attach vanity to wall.

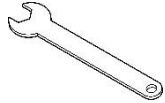
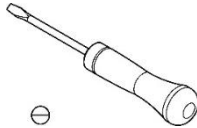

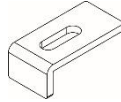

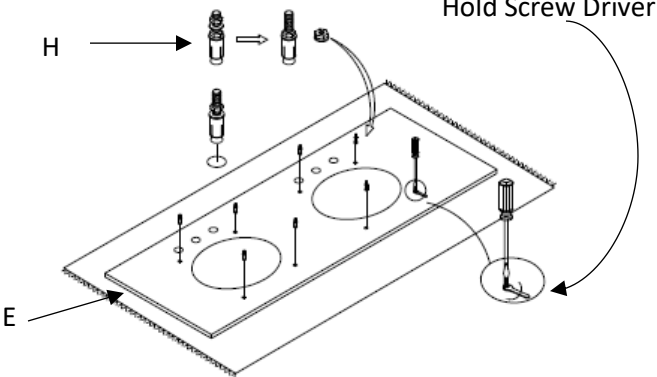
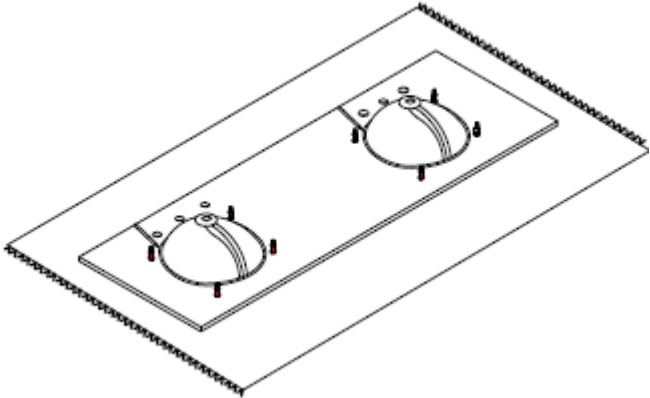
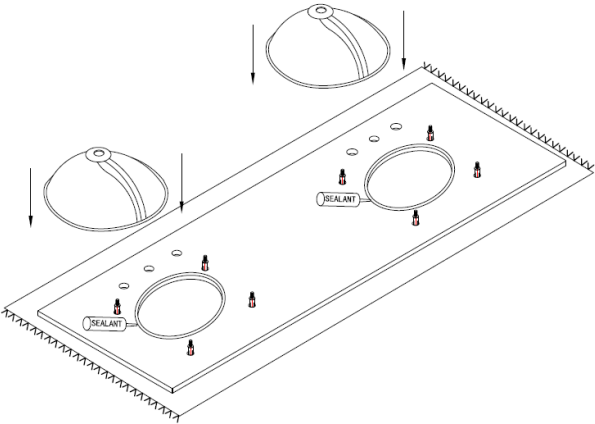
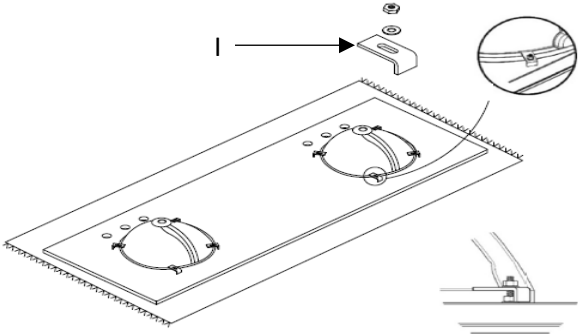


Level the Base before attaching to wall using the adjustable glides in the vanity base feet.

3. ATTACH BASIN TO MARBLE TOP

Note: Sealant must be silicon or acrylic based.

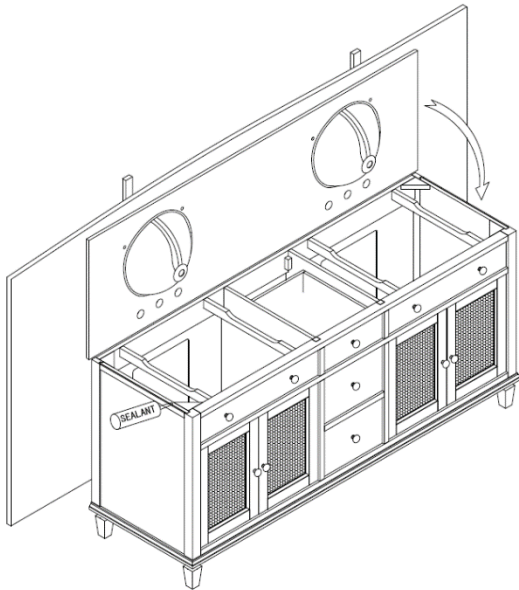
Plumbers Putty must not be used as it will stain the Marble Top.

Tools Required (not included)		Hardware Included		Sealant (not included)
		H  8X	I  8X	 1X
<p>Install (H) Basin Hold Down Post to Marble Top</p>  <p>Hold Screw Driver</p> <p>Turn Wrench Only</p> <p>CAUTION: Do not overtighten with wrench</p>		<p>Center Basin on Marble Top cutout by reaching up through opening top and verifying top has a uniform overhang around Basin. Once centered, mark location.</p> 		
<p>Apply Sealant</p>  <p>Place Basin on Marble Top. Basin drain is towards the faucet holes. Wipe off excess Sealant</p>		<p>I (Hold Down)</p>  <p>Hand tighten with wrench till Basin does not move. Over tightening can cause damage. Let Sealant cure according to manufacturer's directions before installing on vanity case.</p>		

4. ATTACH MARBLE TOP TO VANITY CASE / BACK SPLASH TO WALL

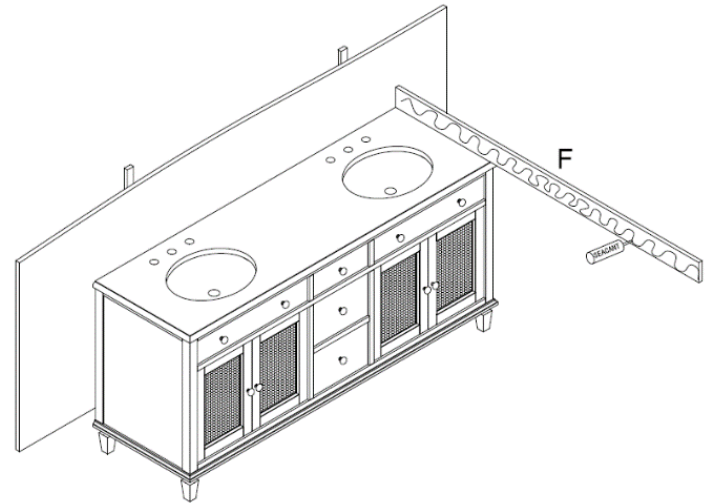
**Note: Sealant must be silicon or acrylic based.
Plumbers Putty must not be used as it will stain the Marble Top.**

Apply Sealant
Lower and Center Marble Top Assembly to Vanity
Case



Wipe off excess Sealant
Let Sealant cure according to manufacturer's
directions before installing plumbing fixtures.

Apply Sealant
Place Backsplash firmly in position



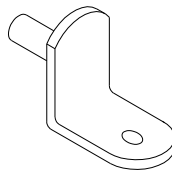
Wipe off excess Sealant
Let Sealant cure according to manufacturer's directions
before using Vanity.

5. INSTALLING THE ADJUSTABLE SHELVES.

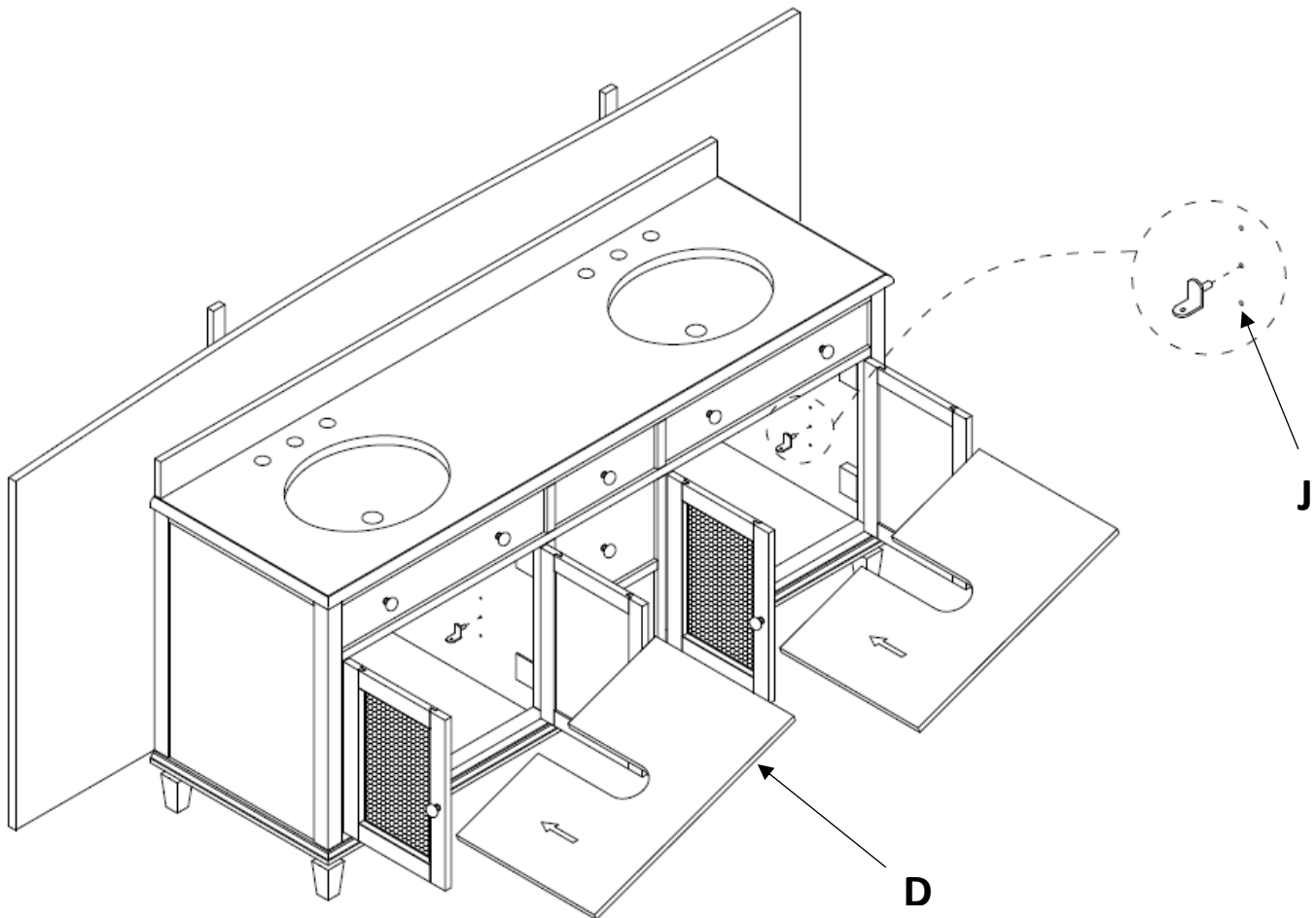
Insert the shelf pin (J) into the desired position holes on the side panels, and then gently place the shelf (D) onto the shelf pins.

Hardware Included

J



8X



Care Instructions

Basin Care:

Gently clean with liquid soap and dry. Using warm water, liquid soap, and a sponge, gently clean the porcelain sink. Avoid scrubbing, and remove discoloration using bleach on white porcelain. Tackle deeper stains with a mild abrasive.

Base Care:

To protect the finish, avoid the use of all chemical and household cleaners with abrasives as they may damage the finish.

Marble Care:

Marble is a natural material. The amount of veining and coloration will vary which is part of its inherent beauty. Marble is sensitive to acid, as it is a natural stone, which consists mainly of calcium carbonate. Please remove wine or fruit juice immediately from the surface of marble top. We strongly advise against use of acidic cleaners.

To Maintain the Marble Top:

Consult with a professional at your local home supply store regarding sealer. Re-apply sealer every two years. Clean frequently with a clean soft damp cloth. Use a mild liquid detergent and warm water.

Avoid all types of abrasive cleaners and rough cleaning pads. Do not use any products that contain acids, as this can cause the finish to dull.

Liquid spills should be cleaned promptly.

Placing protective pads on the bottom of any heavy objects will help prevent scratching of the marble surface.

Do not place extremely heavy items on the marble top.

Williams-Sonoma Inc.

Assembly Instructions
 Instructions d'assemblage
 Instrucciones de Ensamblaje

Pottery Barn – Pottery Barn Teen – Pottery Barn Kids – Williams Sonoma Home – West Elm – Rejuvenation – Mark and Graham

18-may-2023

11/11

