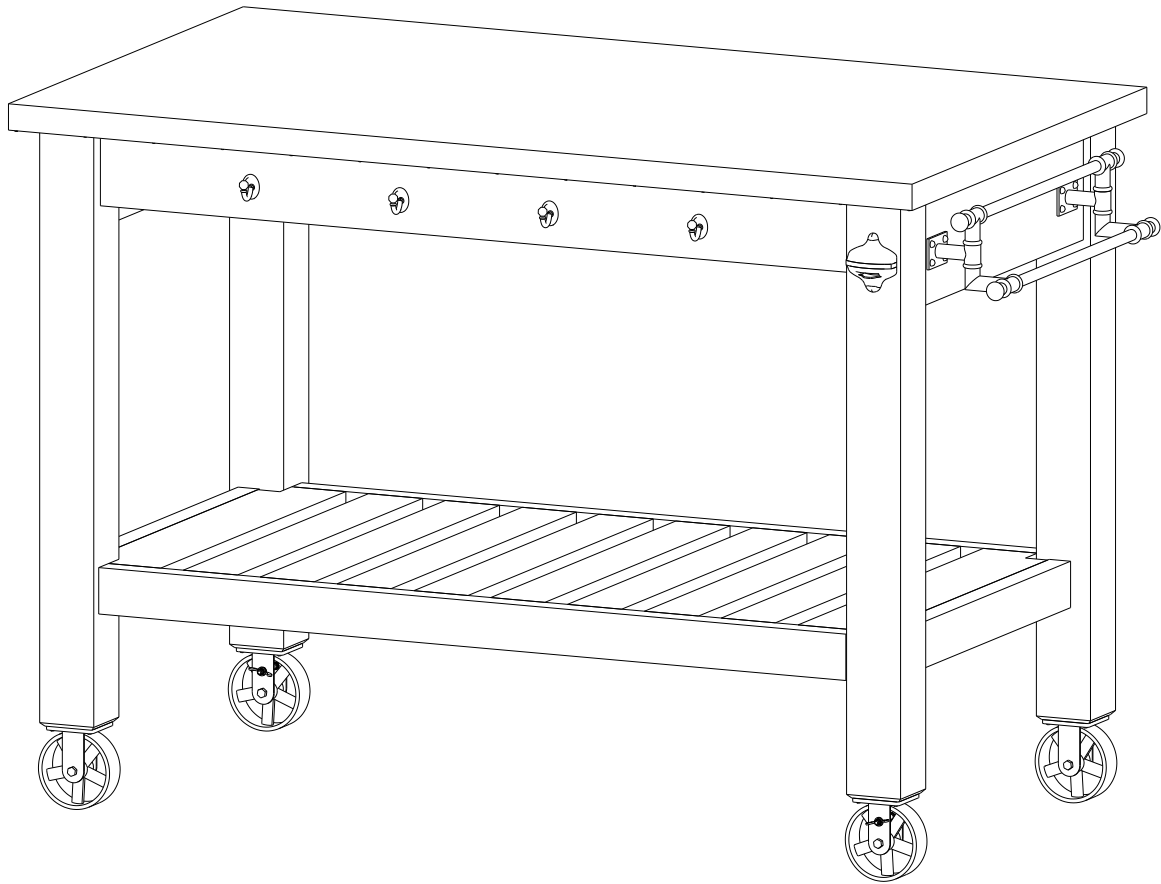


POTTERYBARN



ABBOTT ISLAND WITH CEMENT TOP

Important Safety Instructions:

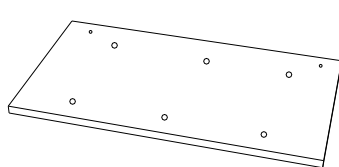
- Please read all instructions carefully before assembling.
- For your safety and convenience, assembly by two adults is strongly recommended.
- Keep instructions for future use.
- Use only hardware supplied by vendor to assemble. Using unauthorized hardware could jeopardize the structural integrity of the item.

Pre-assembly:

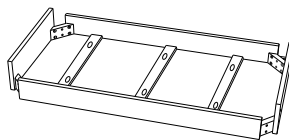
- Remove all parts and hardware from the box and lay them out on a clear carpeted or scratch-free work surface, to avoid damaging parts during assembly. The shipping box provides an ideal work surface.
- Save all packing materials until assembly is complete to avoid the accidental discarding of smaller parts or hardware.
- Use the parts and hardware list below to identify and separate each of the pieces included.
- The illustrations provided allow for easier assembly when used in conjunction with the assembly instructions.
- The use of power tools is not recommended. Power tools can damage hardware and split wood.

Parts included:

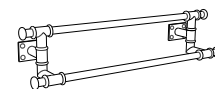
(A)	Cement Top	1 pc
(B)	Frame	1 pc
(C)	Towel Bar	1 pc
(D)	Shelf	1 pc
(E)	Legs	2 pcs
(F)	Leg with stopper hole on wheel	1 pc
(G)	Leg with stopper hole on wheel and bottle opener	1 pc



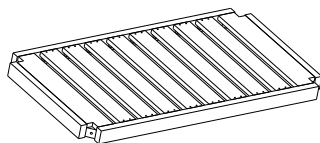
(A)



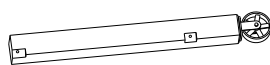
(B)



(C)



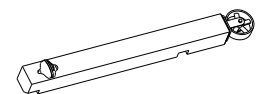
(D)



(E)



(F)



(G)

Hardware Included:

(H) Long Bolts	(I) Short Bolts	(J) Spring Washers	(K) Flat Washers	(L) Stopper pin
Ø8mm x L50mm	Ø8mm x L40mm	Ø8mm x 12mm	Ø8mm x 22mm	
12 pcs	8 pcs	20 pcs	20 pcs	2 pcs

Tool Required:

(M) – Allen Key (included)

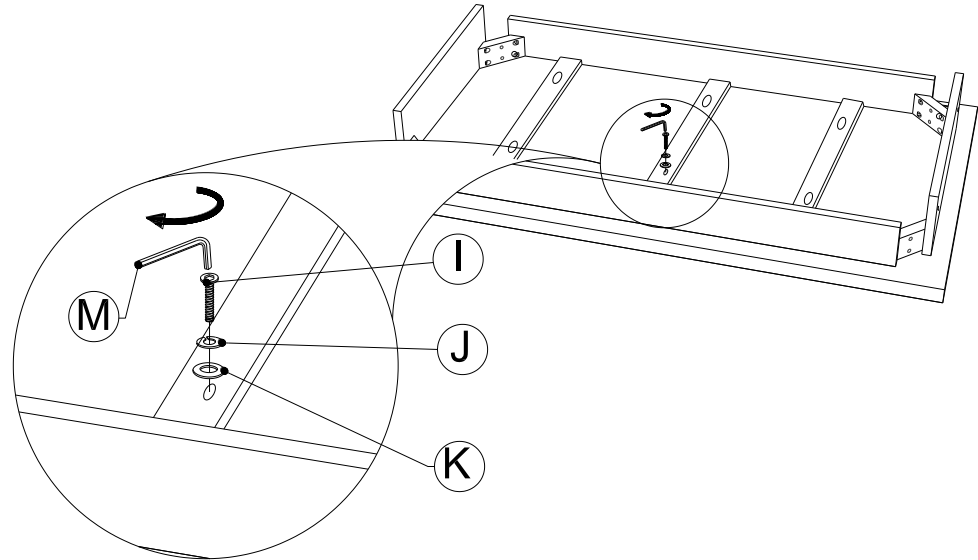


(1 pc)

Assembly Instruction Steps:

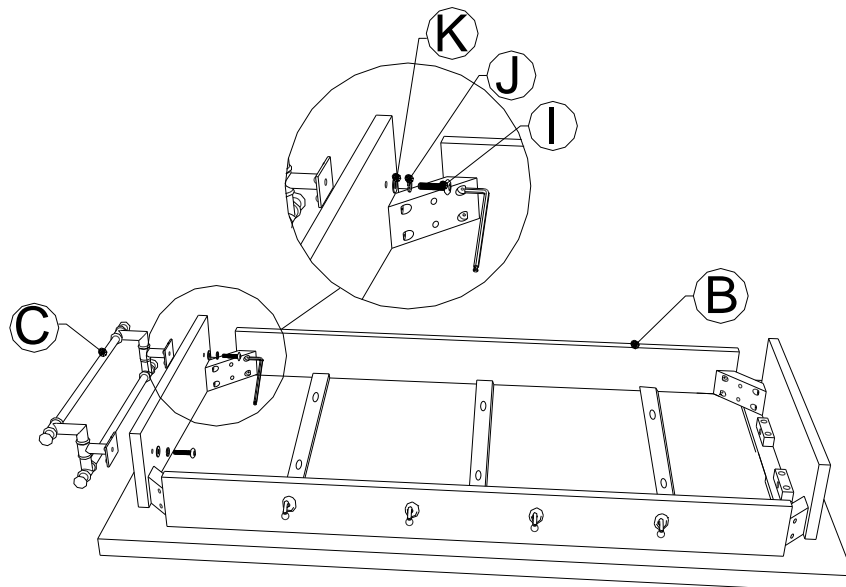
1. Carefully lay Cement top **(A)** upside down on a carpeted or scratch-free surface.
2. Place Frame **(B)** on the underside of Cement Top **(A)**. Align holes and attach Frame **(B)** to Cement Top **(A)** by using 6 Short Bolts **(I)**, 6 Spring Washers **(J)** and 6 Flat Washers **(K)**. Tighten with Allen key **(M)**. (See **Fig. 1**)

Fig. 1



3. Attach the Towel Bar **(C)** to the side apron of the Frame **(B)** by using 2 Short Bolts **(I)**, 2 Spring Washers **(J)** and 2 Flat Washers **(K)**. Tighten with Allen Key **(M)**. (See **Fig. 2**)

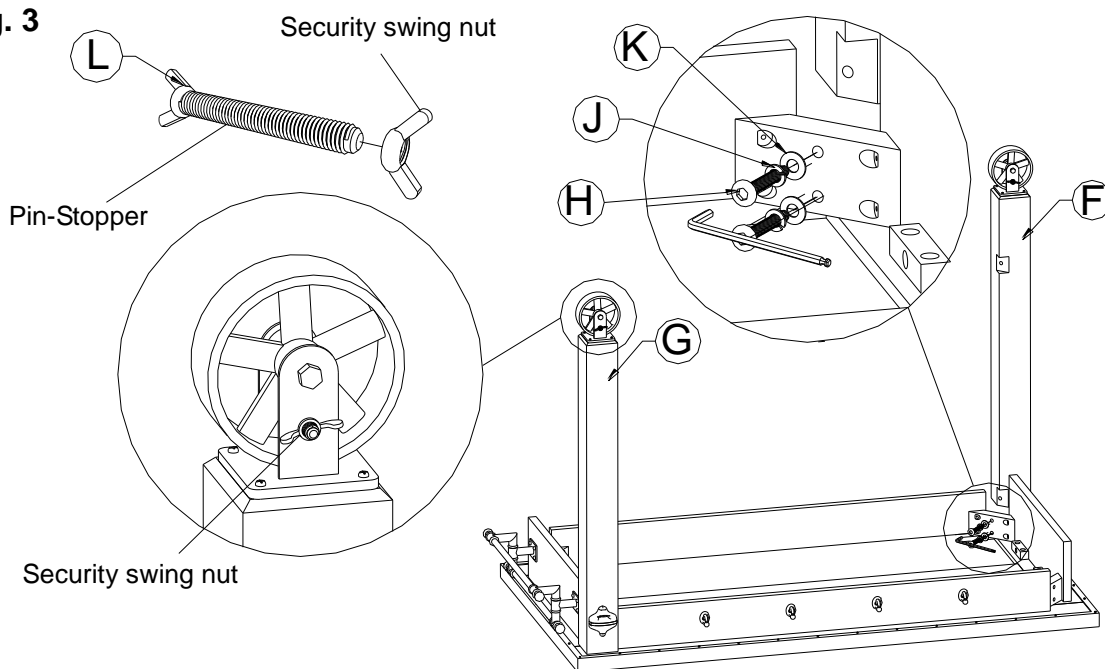
Fig. 2



4. Attach the Leg with stopper hole on wheel and bottle opener **(G)** to Frame **(B)** by using 2 Long Bolts **(H)**, 2 Spring Washers **(J)** and 2 Flat Washers **(K)**. Make sure the bottle opener and the hooks are mounted on the same side of the table. Then, attach another Leg with stopper hole on wheel **(F)** to the corner diagonally opposite. Pre-assemble bolts and leave them loose. Two wheels have removable pin-stoppers to prevent the table from rolling. These legs should be mounted “diagonally” as shown in **fig. 3**.

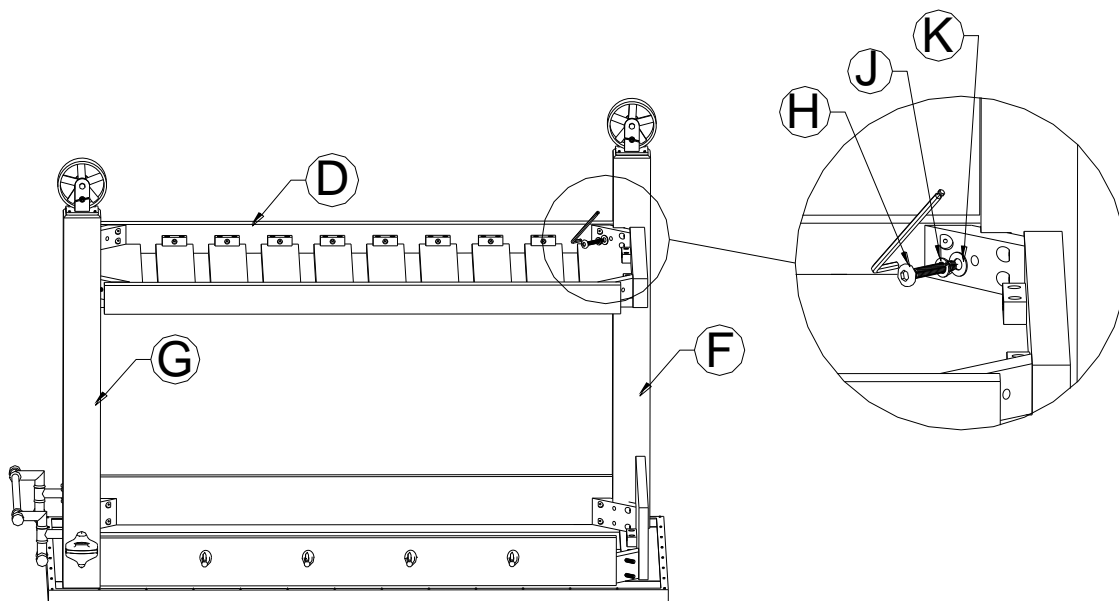
First, loosen the security wing nuts from the pin stopper (**L**). Align the holes on the wheel support with the holes located on the wing of wheel, install the pin stopper by turning security wing nuts, until security wing nuts are fully tightened. (See Fig. 3)

Fig. 3



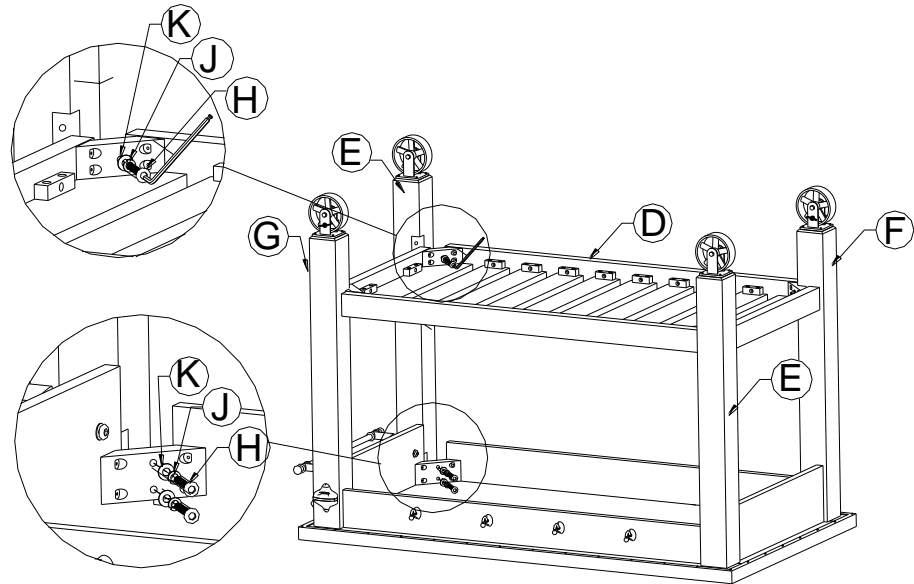
5. Insert corners of Shelf (**D**) into notches of the two assembled Legs (**F & G**) using 2 Long Bolts (**H**), 2 Spring Washers (**J**) and 2 Flat Washers (**K**). Tighten bolts securely with Allen Key (**M**). Do not over tighten the bolts. (See Fig. 4)

Fig. 4



6. Attach another two Legs (**E**) to the corners of Table Top and Shelf using 6 Long Bolts (**H**), 6 Spring Washers (**J**) and 6 Flat Washers (**K**). Tighten all bolts securely with Allen Wrench. Do not over tighten the bolts. (See Fig. 5)

Fig. 5



7. Check and tighten all bolts. Then, with the help of two adults, turn the table to its upright position.
8. Assembly is complete.

Care Instructions:

- It is important to store wood furniture INDOORS out of season. Make certain that the furniture is completely dry before storage.
- Cover furniture with outdoor covers (sold separately) when left outside during inclement weather or when not in use.
- Wipe spills with a clean dry cloth. Do not use chemicals or abrasives for cleaning!
- Periodically apply a high quality outdoor furniture oil to darken the finish and add protection.
- **TAKE NOTE: THE BOLTS MAY SLIGHTLY LOOSEN OVER TIME. IF YOUR FURNITURE FEELS "WOBBLY" OR LOOSE, PLEASE RE-TIGHTEN BOLTS.**

Thank you for your purchase.
stores | catalog | www.potterybarn.com