

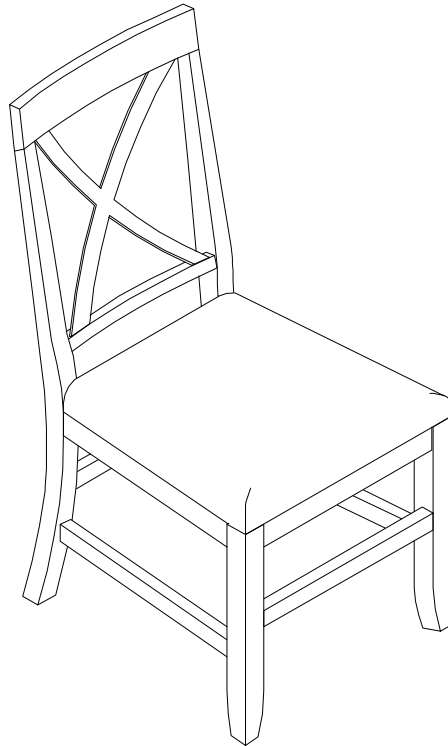


we furnish fun.

ASSEMBLY INSTRUCTIONS

POKER CHAIR

LOOSELY ATTACH EACH SCREW UNTIL FRAME IS ASSEMBLED THEN TIGHTEN WHEN COMPLETE



List of Part For 1 Set

Code	Figure	Part	Qty.
01		Chair Back	1
02		Seat Cushion	1
03		(L) Front Leg	1
04		(R) Front Leg	1
05		Front Stretcher	1
06		(L) Side Stretcher	1
07		(R) Side Stretcher	1

List of hardware For 1 Set

Code	Figure	Hardware	Qty.
a		JCBC Bolt 1/4"x1-3/8"	1
b		JCBC Bolt 1/4"x2-1/2"	4
c		JCBC Bolt 1/4"x3-1/4"	4
d		Spring Washer 1/4"	9
e		Flat Washer 1/4"	9
f		Allen Key	1
g		PHRS Screw #6 x1-3/4"	6
h		Wooden Dowel Ø10x30	2



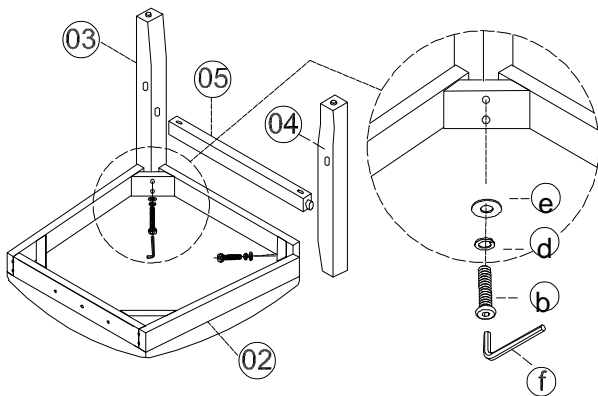
we furnish fun.

ASSEMBLY INSTRUCTIONS

POKER CHAIR

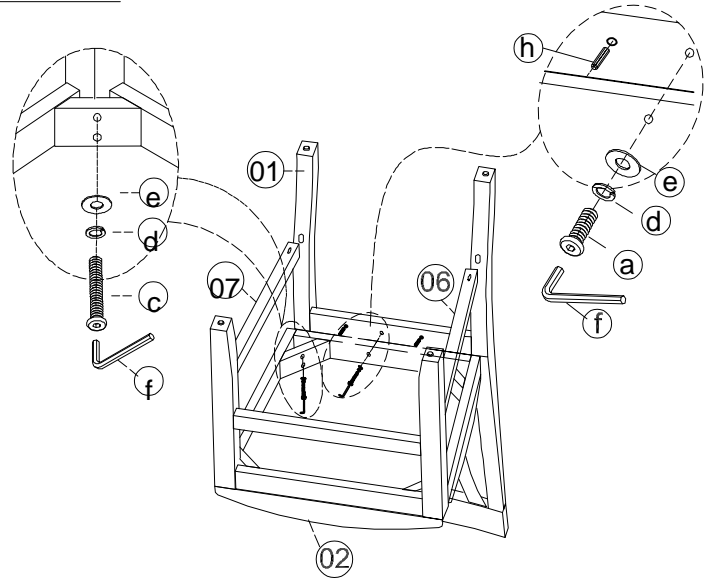
LOOSELY ATTACH EACH SCREW UNTIL FRAME IS ASSEMBLED THEN TIGHTEN WHEN COMPLETE

STEP 1:



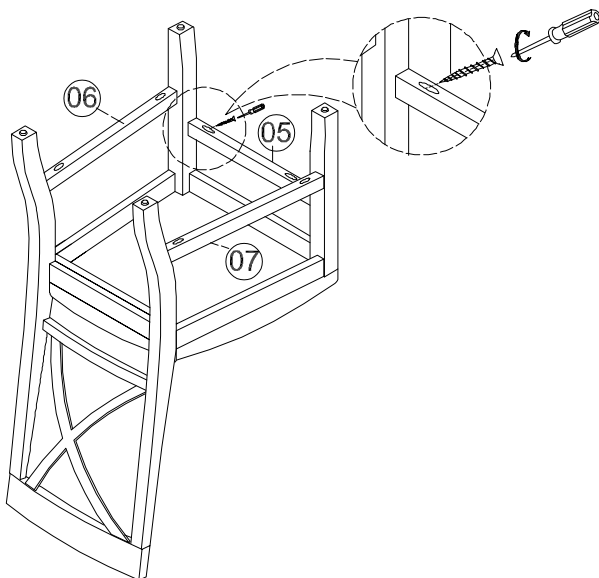
Insert the front stretcher (05) to the front legs (03 & 04), then attach to the front legs (03 & 04) to the seat cushion (02).

STEP 2:



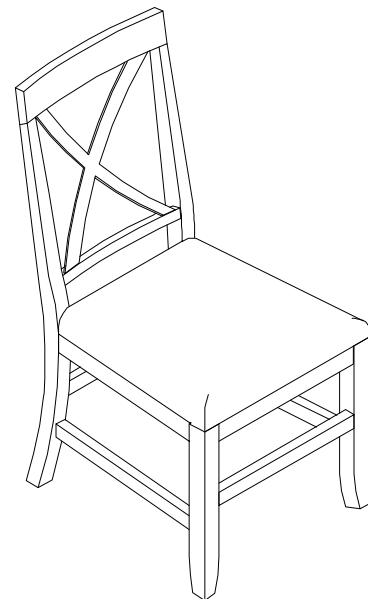
Attach the assembled seat cushion (02) and side stretchers (06 & 07) to the chair back (01).

STEP 3:



Insert the screw (g) to the front and side stretchers (05, 06 & 07).

STEP 4:



Assembly is completed
THANK YOU FOR YOUR PURCHASE.