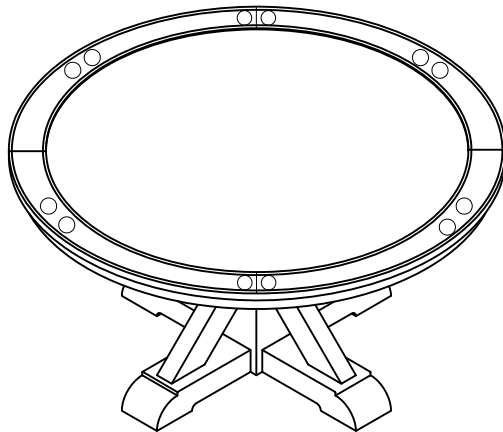


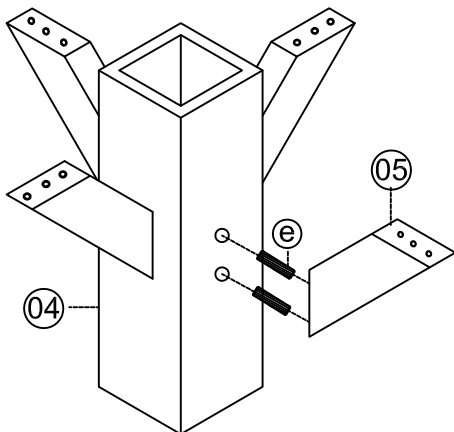
we furnish fun.

ASSEMBLY INSTRUCTIONS POKER TABLE

LOOSELY ATTACH EACH SCREW UNTIL FRAME IS ASSEMBLED THEN TIGHTEN WHEN COMPLETE

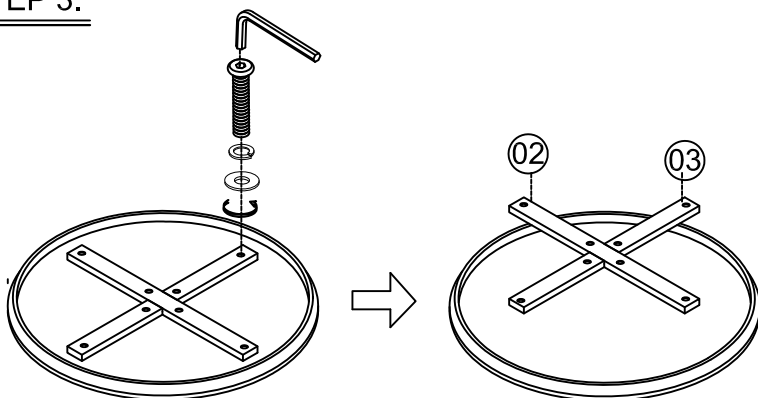


STEP 1:



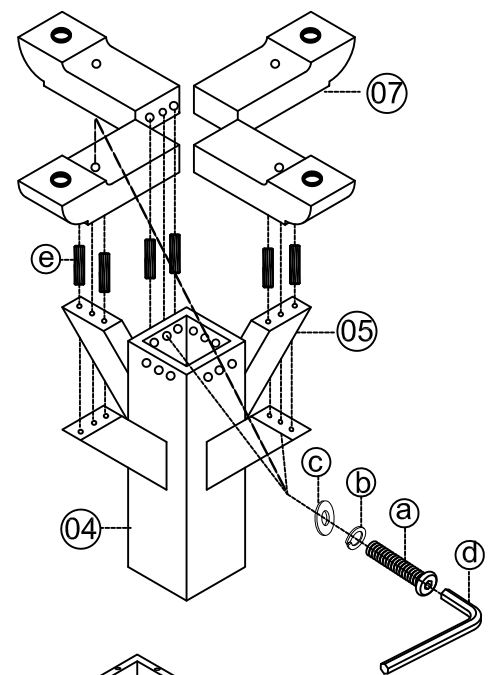
Attach the long support legs (05) to post (04).

STEP 3:

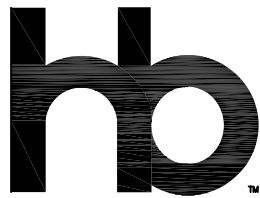


Turn the bolt counterclockwise, remove the cross rail 1 and rail 2 (02&03) from the table top (01).

STEP 2:



Attach the bottom legs (07) to the post (04) and the long support legs (05).

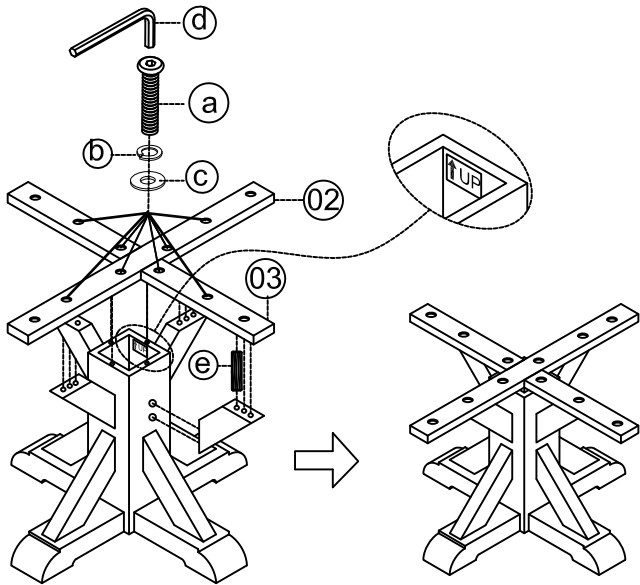


we furnish fun.

ASSEMBLY INSTRUCTIONS POKER TABLE

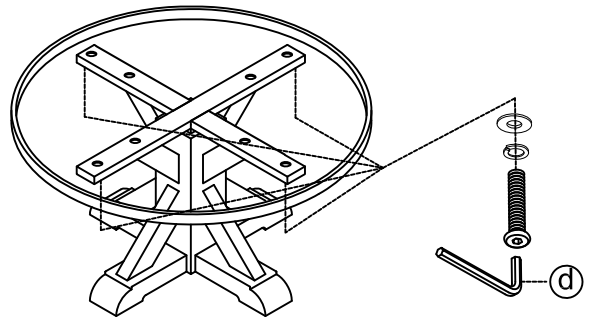
LOOSELY ATTACH EACH SCREW UNTIL FRAME IS ASSEMBLED THEN TIGHTEN WHEN COMPLETE

STEP 4:



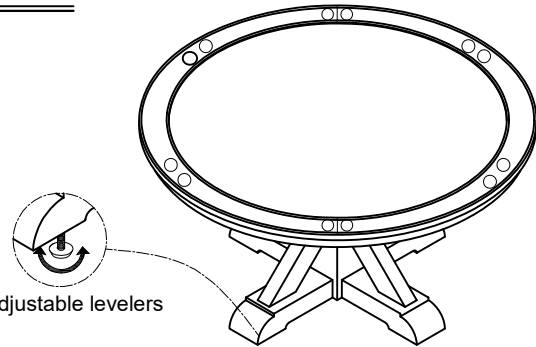
Attach the cross rail 1 & rail 2 (02&03) to the post (04) and the short support leg (06).

STEP 5:



Attach the cross rail 1 & rail 2 (02&03) to the table top (01).

STEP 6:



Adjustable levelers

Assembly Completed!!

List of Part For 1 Set

Code	Figure	Part	Qty.
01		Table Top	1
02		Cross Rail 1	1
03		Cross Rail 2	1
04		Post	1
05		Long Support Leg	4
06		Short Support Leg	4
07		Bottom Leg	4

List of hardware For 1 Set

Code	Figure	Hardware	Qty.
a		JCBC Bolt 5/16" x 2"	16
b		Spring Washers 5/16"	16
c		Flat Washers 5/16"	16
d		Allen Key	1
e		Wood Dowel	40

Assembly is completed

THANK YOU FOR YOUR PURCHASE.