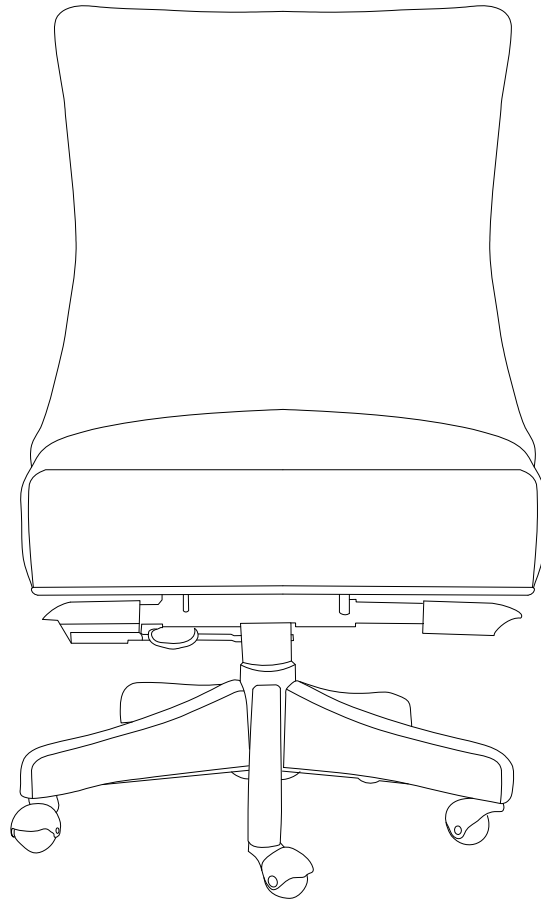


POTTERYBARN

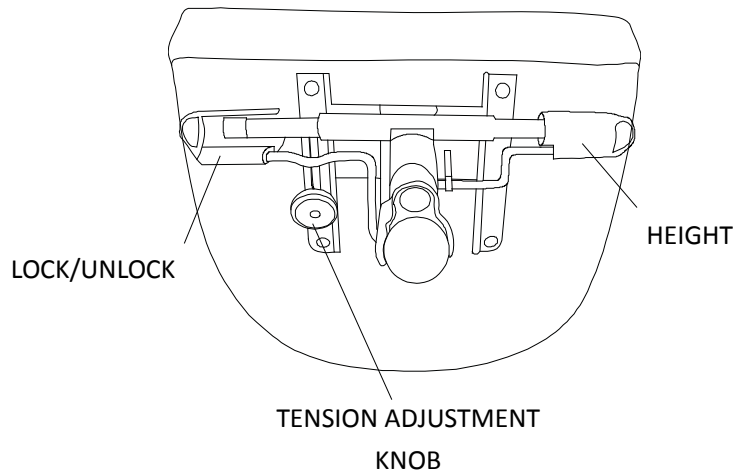


HAYES SWIVEL DESK CHAIR

Important Safety Instructions:

- **WARNING:** To avoid possible personal injury, ensure all screws are fully tightened before using the chair. Periodically check the screws and ensure that they remain fully tightened.
- Inspect the product for wear and tear, rust, or cracked, broken, unstable parts before each use. Do not use the product if it is damaged or if the parts show any signs of instability or abnormal wear.
- Inspect the seat and seat back. If they are not intact or are damaged, permanently discontinue use of this product.

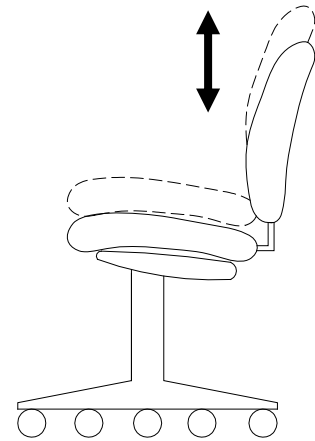
Adjusting your chair:



- **Height Adjustment:**

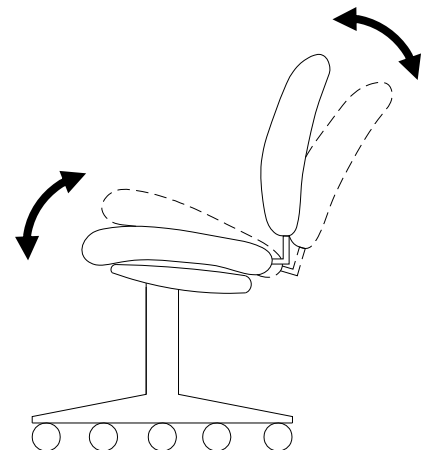
To raise the seat height, remove weight from the seat and pull up on the Height Adjustment Lever.

To lower the seat height, while seated pull up slowly on the Height Adjustment Lever until the seat is at the desired height.



- **Seat Tilt Tension Adjustment:**

To adjust the seat tilt tension, turn the Tension Adjustment Knob on the underside of the seat to the desired tension. To lock tilt function, slide the Lock/Unlock Lever in toward center of chair. To unlock tilt function, pull Lock/Unlock Lever outward.



Care Instructions:

- Cares must be taken to protect the leather surface to prevent it from being cut by hard or sharp objects, or to be stained with oil.
- Dusts or dirt must be removed immediately with a clean, soft, slightly moist and lint-free cloth.
- If the leather gets wet with water, please soak up moisture immediately with a clean, soft, dry cloth.
- Leather should be air dried in a cool and ventilated place and should not be exposed under the direct sunshine or air dried under the high temperature.
- We do not recommend the use of chemical cleansers, abrasives or furniture polish on our lacquered finish.

Thank you for your purchase
Stores | catalog