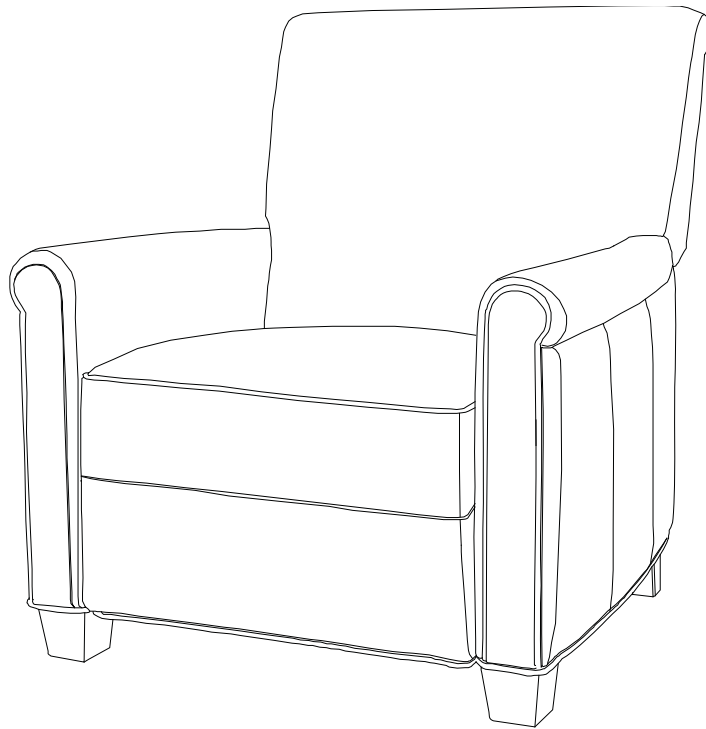


POTTERY BARN



IRVING RECLINER CHAIR

Important Safety Instructions:

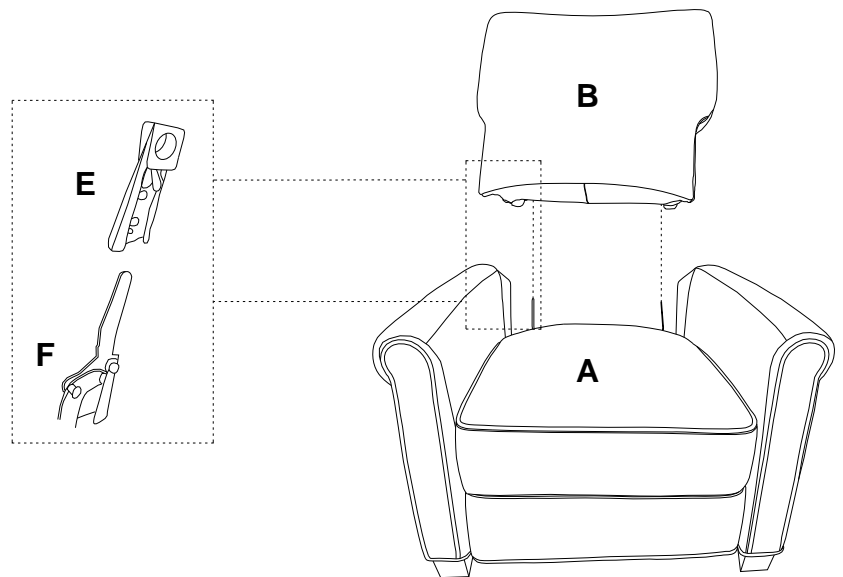
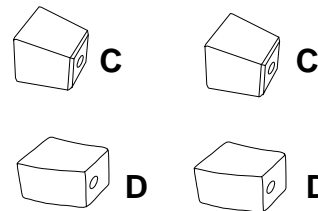
- Please read all instructions carefully before assembling.
- For your safety, assembly by two or more adults is strongly recommended.
- Keep instructions for future use.
- Use only vendor supplied hardware to assemble. Using unauthorized hardware could jeopardize the structural integrity of the item.

Pre-assembly:

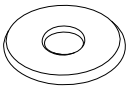
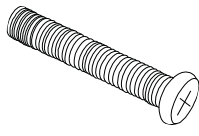
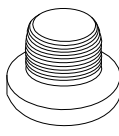
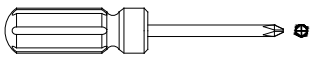
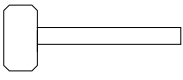
- Remove all parts and hardware from the box and lay out on a clear carpeted or scratch-free work surface, as this will avoid damaging parts during assembly. The shipping box provides an ideal work surface.
- Do not dispose of any packaging or contents of the shipping carton until assembly is completed to avoid accidentally discarding small parts or hardware.
- Use the parts and hardware lists below to identify and separate each of the pieces included.
- The illustrations provided allow for easier assembly when used in conjunction with the assembly instructions.
- The use of power tools to aid in assembly is not recommended. Power tools can damage hardware and split wood.

Parts Included:

- | | | |
|-----|-----------|----|
| (A) | Seat | 1x |
| (B) | Backrest | 1x |
| (C) | Front Leg | 2x |
| (D) | Rear Leg | 2x |
| (E) | Bracket | 2x |
| (F) | Sleeve | 2x |

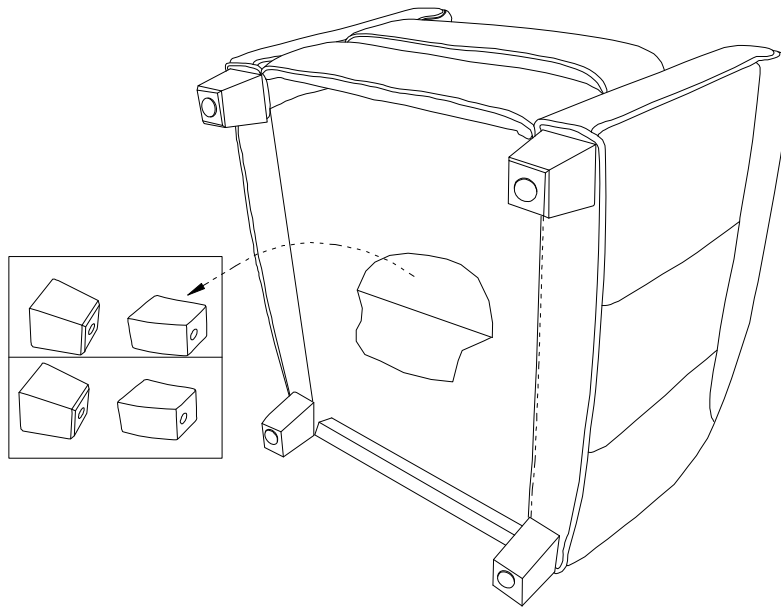


Hardware Included:

<p>(G) Plastic Washer</p>  <p>4x</p>	<p>(H) Bolt</p>  <p>Dia. 10 x 60mm</p> <p>4x</p>	<p>(I) Plastic Glider</p>  <p>4x</p>	<p>Tools Required (not included)</p>  <p>Phillips Head Screwdriver</p>  <p>Hammer</p>
-----------------------------------------------------------------------------------------------------------------------------	-----------------------------------------------------------------------------------------------------------------------------------------	-----------------------------------------------------------------------------------------------------------------------------	----------------------------------------------------------------------------------------------------------------------------------------------------------------------------------------------------------------------------------------------------------------------------

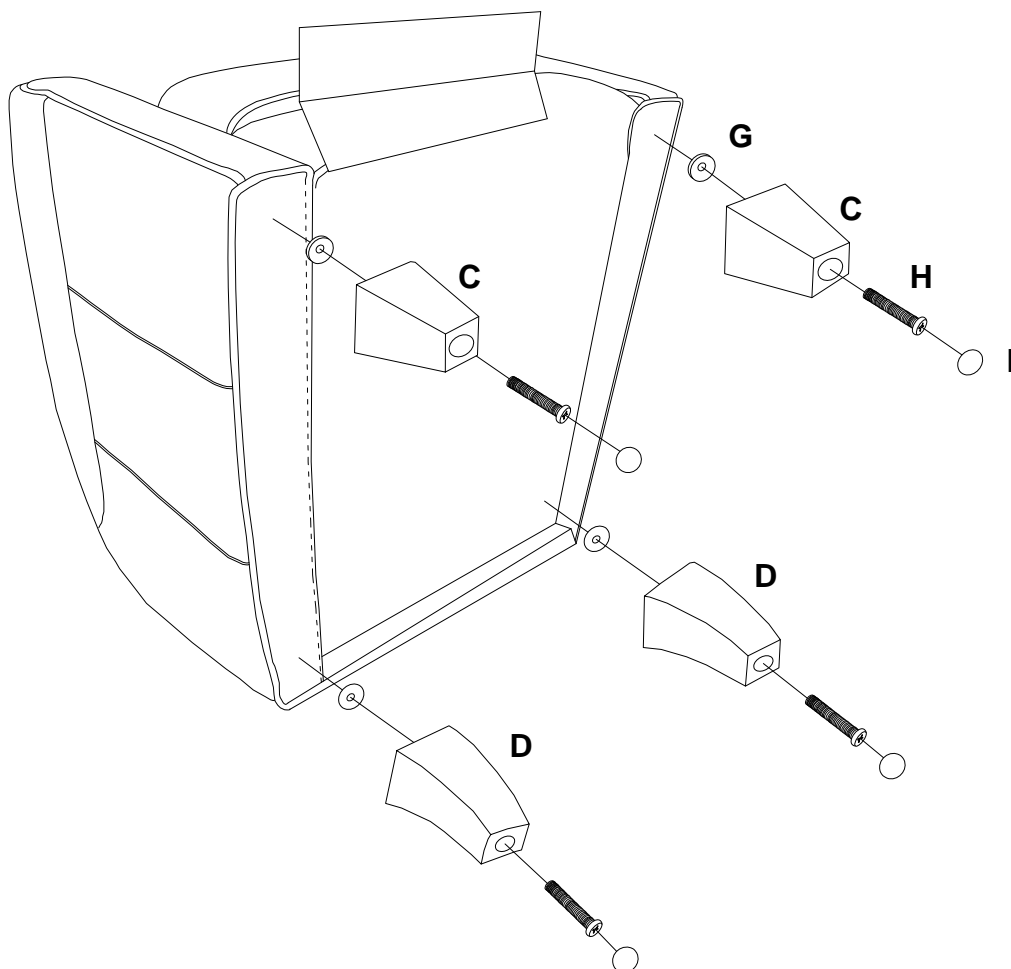
Assembly Instruction Steps:

1. Carefully turn the Seat (A) lying on a smooth scratch free surface. The Legs (C and D) are placed in the bag at the bottom of chair, take out the legs as shown below, and then seal the bag.

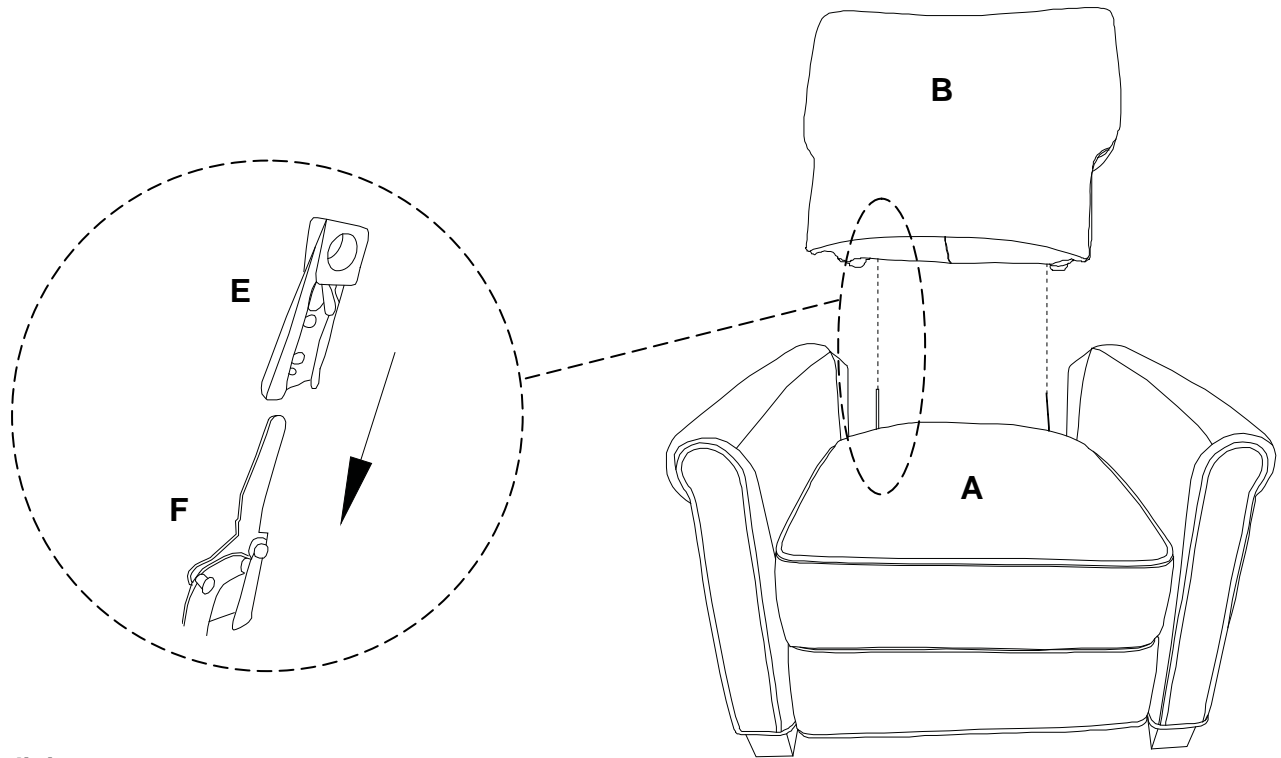


2. Insert bolt (H) thru Legs (C and D) and Plastic Washer (G) into bottom of Seat (A) as shown, tighten the bolt with a Phillips Head Screwdriver, then attach the Plastic Glider (I) to the bottom of leg, securely tighten by hammer.

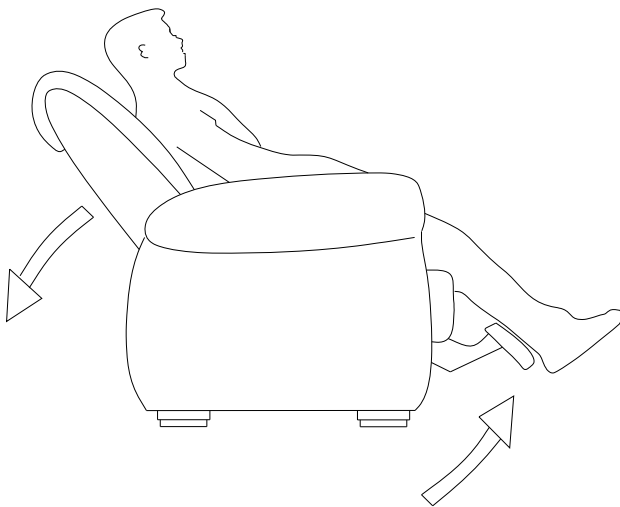
NOTE: Front legs (C) is different to rear legs (D), they are not interchangeable.



3. Attach Backrest (B) to the Seat (A) by sliding Bracket (E) into Sleeve (F), pressing firmly to lock the retaining piece into place.

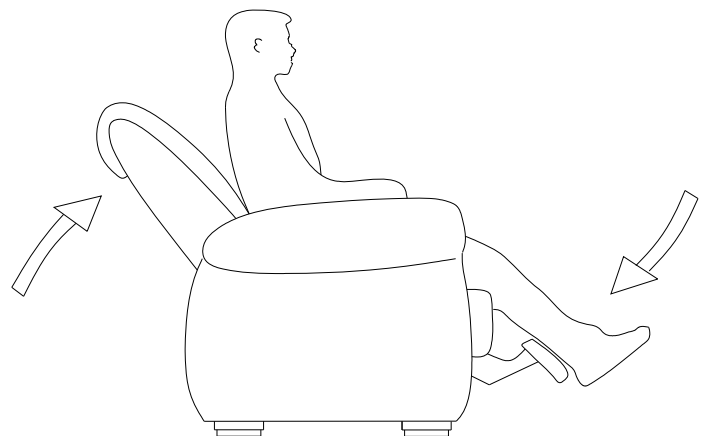


4. Reclining

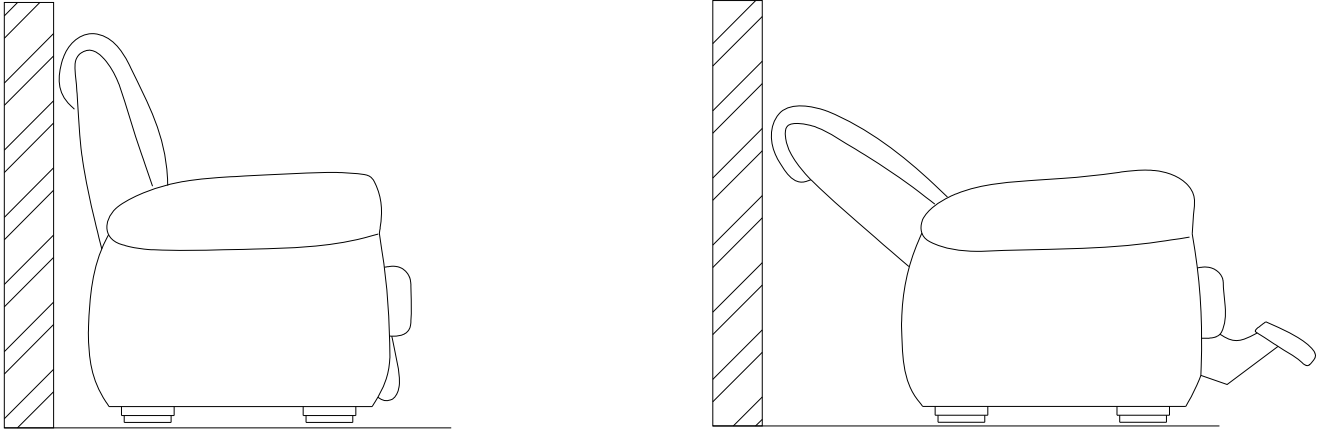


The chair can be made to recline by simply placing the arms on the armrests and pressing the back against the backrest.

The chair is returned to the upright position by moving the trunk forward and accompanying the footrest to the initial position by exerting pressure with the legs.

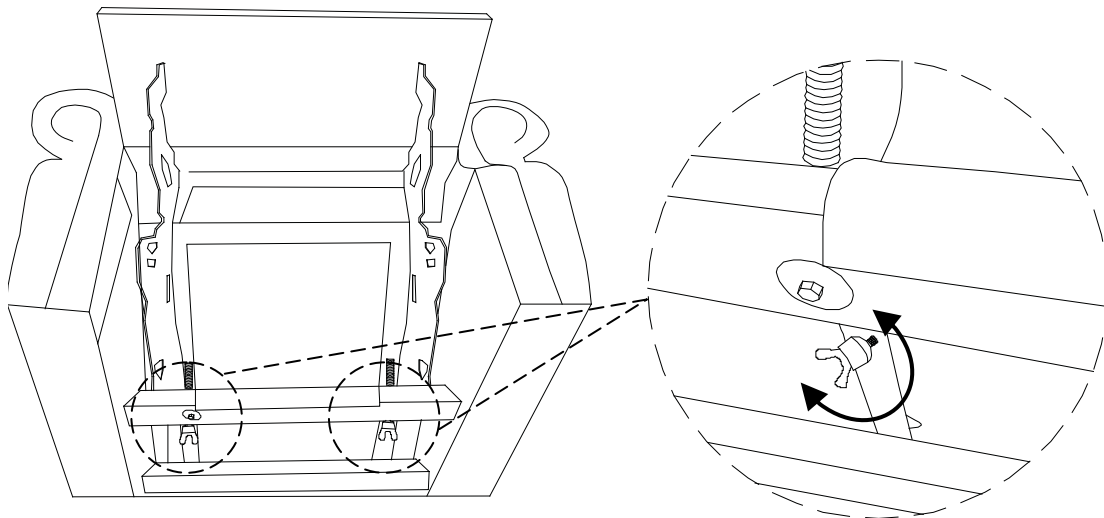


5. The seat and back move forward during extension, keep the chair away from the wall.



6. Reclining Tension Adjustment

To adjust the reclining tension, turn the Tension Adjustment Knob on the underside of the seat to the desired tension, and to ensure that the left and right tensions are in tune.



Care Instructions:

- Cares must be taken to protect the leather surface to prevent it from being cut by hard or sharp objects, or to be stained with oil.
- Dusts or dirt must be removed immediately with a clean, soft, slightly moist and lint-free cloth.
- If the leather gets wet with water, please soak up moisture immediately with a clean, soft, dry cloth. Leather should be air dried in a cool and ventilated place and should not be exposed under the direct sunshine or air dried under the high temperature.
- We do not recommend the use of chemical cleansers, abrasives or furniture polish on our lacquered finish.
- Hardware may loosen over time. Periodically check to make sure all connections are tight. Re-tighten if necessary.

Thank you for your purchase
Stores | catalog