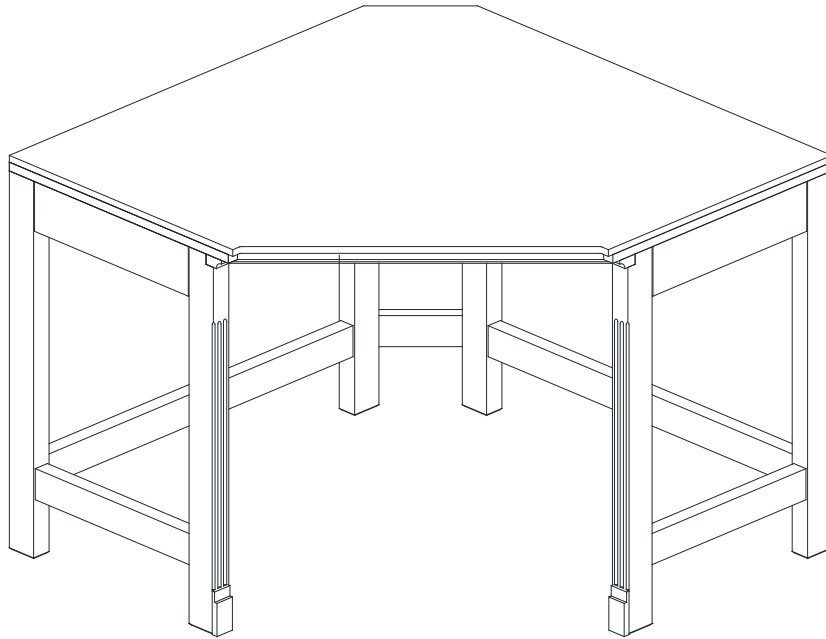


POTTERYBARN



LIVINGSTON MODULAR CORNER DESK

Date : 8-March-16

Rev :-

www.potterybarn.com

Important Safety Instructions:

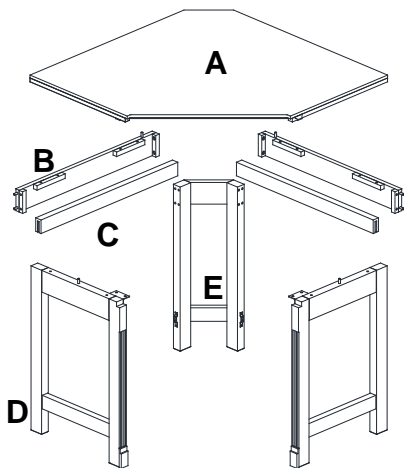
- Please read all instructions carefully before assembling.
- For your safety, assembly by two or more adults is strongly recommended.
- Keep instructions for future use.
- Use only vendor supplied hardware to assemble. Using unauthorized hardware could jeopardize the structural integrity of the item.
- The Livingston Corner Desk is designed for use with Livingston Double Lateral File, Double Glass Door Cabinet, Single Drawer Pedestal and Single Glass Door.

Pre-assembly:

- Remove all parts and hardware from the box and lay out on a clear carpeted or scratch-free work surface, as this will avoid damaging parts during assembly. The shipping box provides an ideal work surface.
- Do not dispose of any packaging or contents of the shipping carton until assembly is completed to avoid accidentally discarding small parts or hardware.
- Use the parts and hardware lists below to identify and separate each of the pieces included.
- The illustrations provided allow for easier assembly when used in conjunction with the assembly instructions.
- The use of power tools to aid in assembly is not recommended. Power tools can damage hardware and split wood.

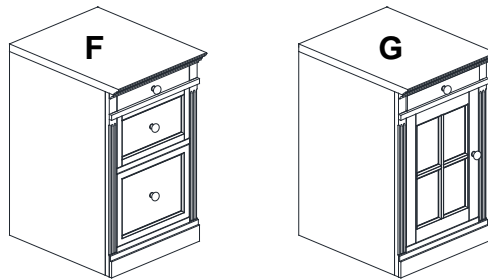
Parts Enclosed:

- Livingston Corner Desk
 - ⇒ (A) Top Panel – 1x
 - ⇒ (B) Apron – 2x
 - ⇒ (C) Wood Supports – 2x
 - ⇒ (D) Side Legs – 2x
 - ⇒ (E) Center Leg – 1x



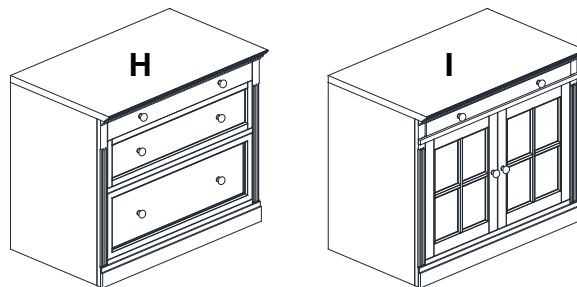
Needed for assembly:

- Livingston Single Drawer Set (F) or Single Glass Door Set (G)

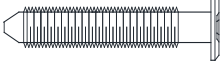

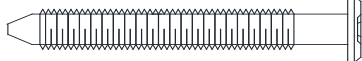





Needed for assembly:

- Livingston Double Lateral File Set (H) or Double Glass Door Set (I)



Hardware Enclosed:

			
J. Allen Bolts 1/4" x 1" – 4x	K. Allen Bolts 1/4" x 1 1/2" – 16x	L. Allen Bolts 1/4" x 4 1/2" – 4x	M. Allen Key M4 – 1x
			
N. Bolts Connector – 2 Set	O. Drill Bit – 1x		

1. Attach the Aprons (B) to the Center Leg (E) by inserting dowels on the Apron (B) into the holes on the Center Leg (E). Insert the Allen Bolts (K) through the holes on the cleat of the Apron (B) into the inserts on the Center Leg (E), tighten with the Allen Key (M) shown in **fig. 1, illustration. 1**.
2. Attach the Side Legs (D) to the apron (B) by inserting dowels on the apron into the holes on the Legs (D). Insert the Allen Bolts (K) through the holes on the cleat of the Apron (B) into the inserts on the Side Legs (E), tighten with the Allen Key (M) as shown in **fig. 2 illustrations. 2**.

Fig. 1

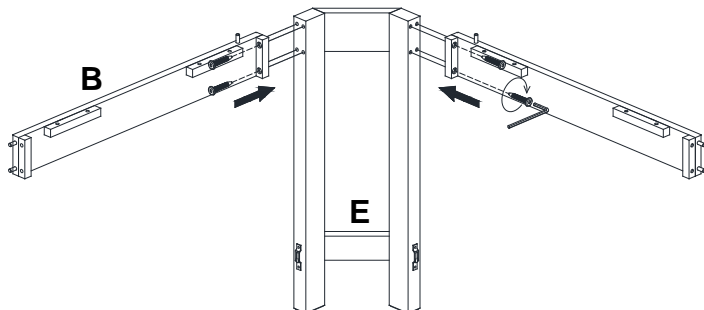


Fig. 2

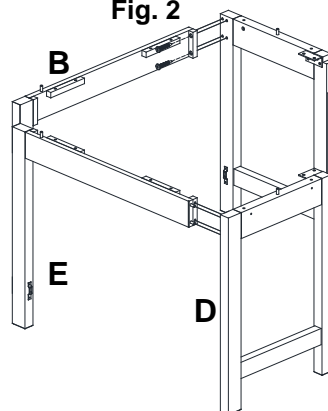


Illustration. 1

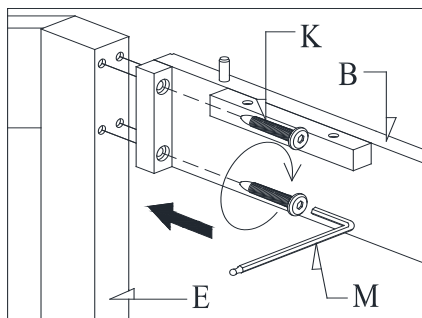
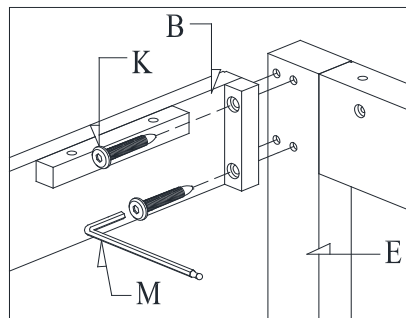


Illustration. 2



3. Attach Wood Support (C) on the Legs (D & E) by sliding the metal bracket on the legs as shown in **fig. 3, illustration. 3**.

Fig. 3

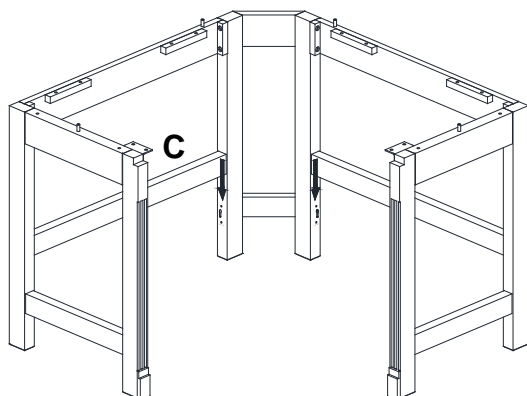
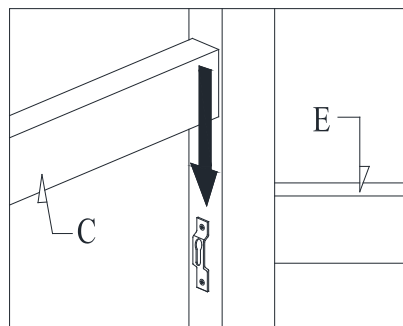


Illustration. 3



4. Lay the Top Panel (A) upside down to the floor. Attach the Top Panel (A) to the base by inserting dowels on the apron into the holes on the bottom of the top panel (A). Insert the Allen Bolts (K) through the holes on the cleat of the Apron (B) into the inserts on the Top Panel (A), tighten with the Allen Key (M) as shown in **fig. 4, illustration. 4**.

5. Insert the Allen Bolts (J) through the holes on the metal bracket on the Side Legs (D) into the inserts on the Top Panel (A), tighten with the Allen Key (M) as shown in **fig. 4, illustration. 5**.
6. Insert the Allen Bolts (L) through the holes on the Apron (B) into the inserts on the Top Panel (A), tighten with the Allen Key (M) as shown in **fig. 4, illustration. 5**.

Fig. 4

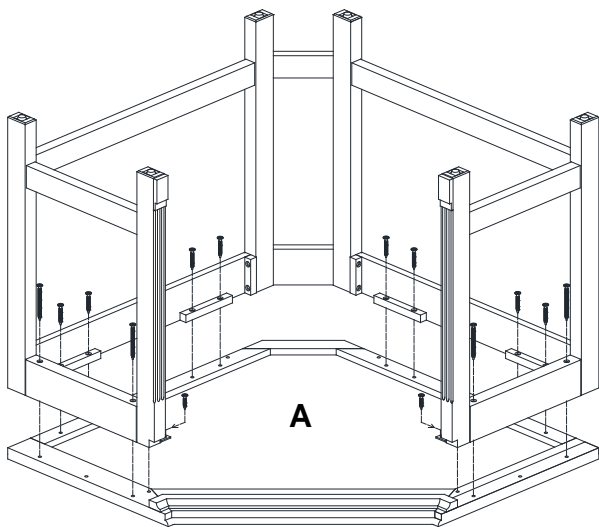


Illustration. 4

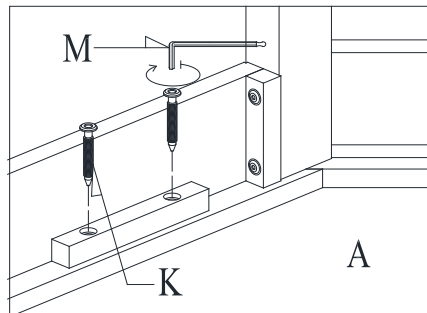
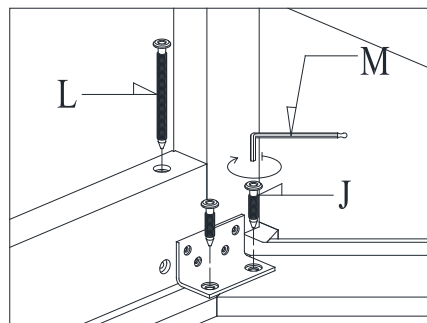


Illustration. 5



7. If the floor is uneven, adjust the levelers found on the bottom of the furniture as shown in **fig. 5 illustration. 6**.
 - Carefully grasp one side of the furniture and elevate it slightly to provide access to levelers.
 - Turn the leveler until adequate contact will be made with the floor.
 - Carefully set the furniture down.
 - Repeat until the furniture sits level and stable.

Fig. 5

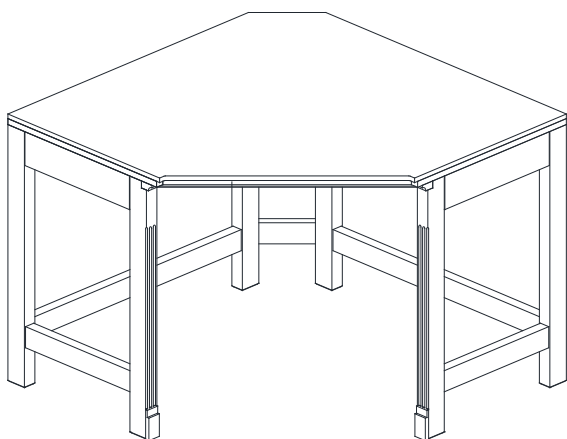
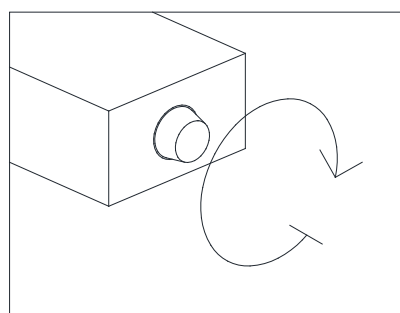


Illustration. 6



8. Optional Assembly Instructions (to connect several Livingston items together) as shown picture:
- Position all Livingston Modular items which will be set up together at the desired location.
 - Insure all items which will be set up together have the same level. If not please adjust the levelers.
 - Use Drill Bit (O) to penetrate the pre-drilled holes on the side panels of the furniture that will be connected together as shown in **illustration. 7**.
 - Align the holes and insert the connector bolts (N & N') then tighten with a screwdriver (not Included) as shown in **fig. 6, illustration. 8**.

Fig. 6

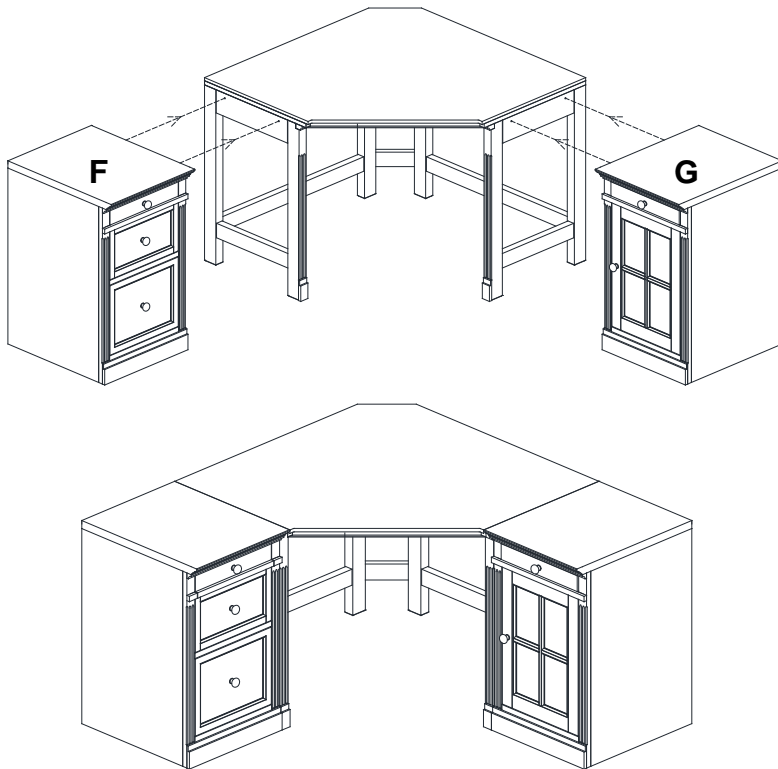


Illustration. 7

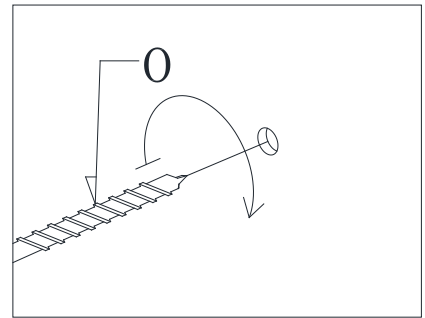
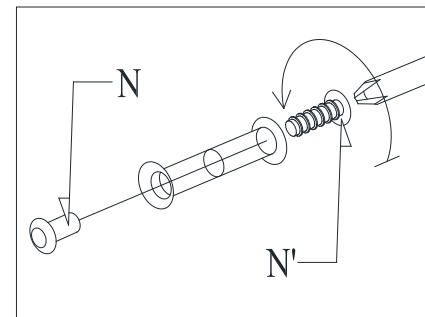


Illustration. 8



Care Instructions:

- Dust often using a clean, soft, dry and lint-free cloth.
- Blot spills immediately and wipe with a clean, damp, cloth.
- We do not recommend the use of chemical cleansers, abrasives or furniture polish on our lacquered finish.