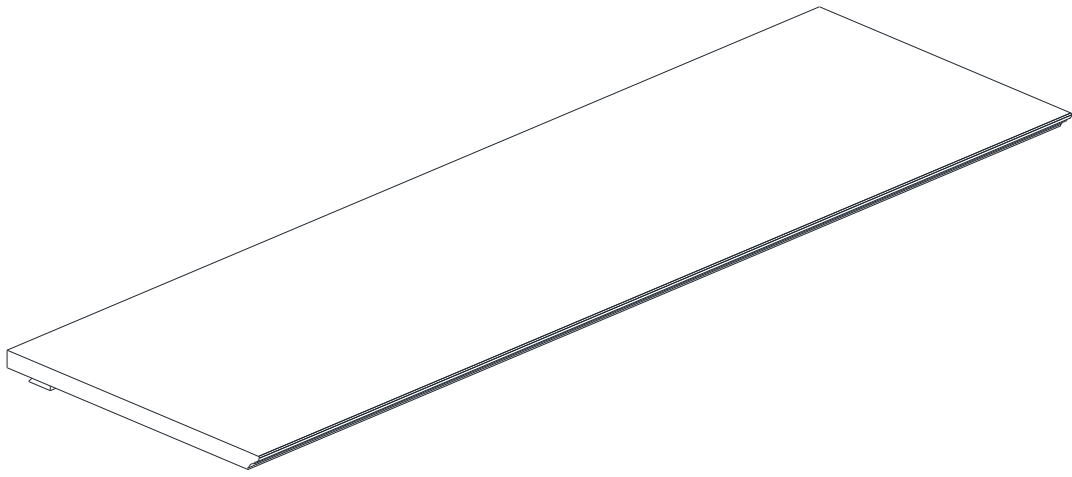


POTTERYBARN



LIVINGSTON QUADRUPLE TOP

Date : 16-March-16

Rev :-

www.potterybarn.com

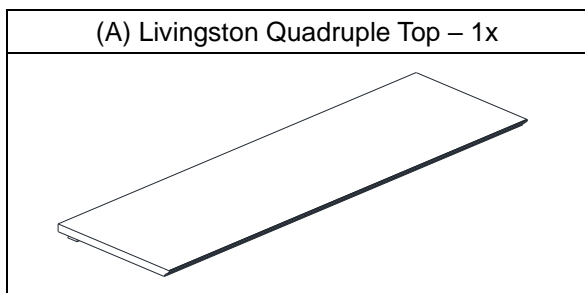
Important Safety Instructions:

- Please read all instructions carefully before assembling.
- For your safety, assembly by two or more adults is strongly recommended.
- Keep instructions for future use.
- Use only vendor supplied hardware to assemble. Using unauthorized hardware could jeopardize the structural integrity of the item.
- The Livingston Quadruple Top is designed for use with Livingston Double Lateral File, Double Glass Door Cabinet, Single Drawer File, and Single Glass Door.

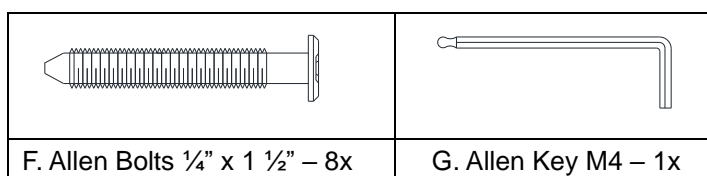
Pre-assembly:

- Remove all parts and hardware from the box and lay out on a clear carpeted or scratch-free work surface, as this will avoid damaging parts during assembly. The shipping box provides an ideal work surface.
- Do not dispose of any packaging or contents of the shipping carton until assembly is completed to avoid accidentally discarding small parts or hardware.
- Use the parts and hardware lists below to identify and separate each of the pieces included.
- The illustrations provided allow for easier assembly when used in conjunction with the assembly instructions.
- The use of power tools to aid in assembly is not recommended. Power tools can damage hardware and split wood.

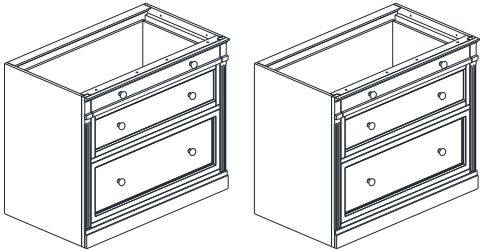
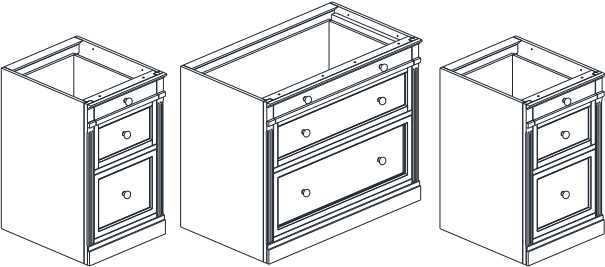
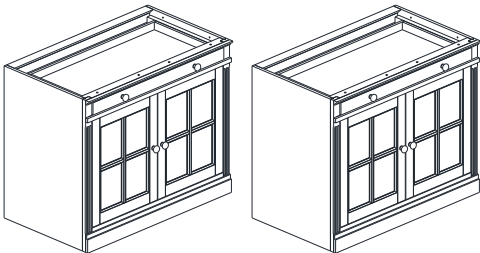
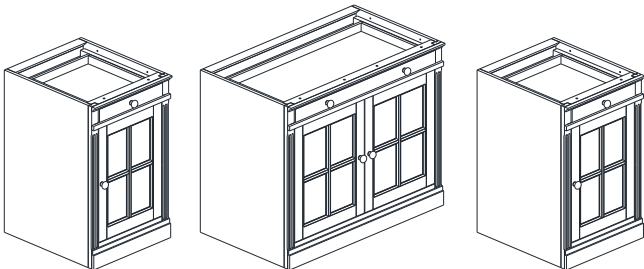
Parts Enclosed:



Hardware Enclosed:



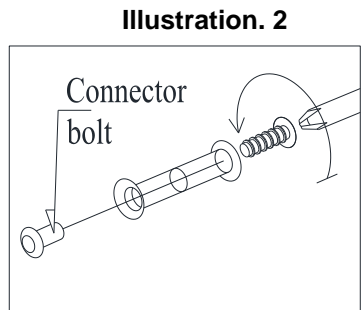
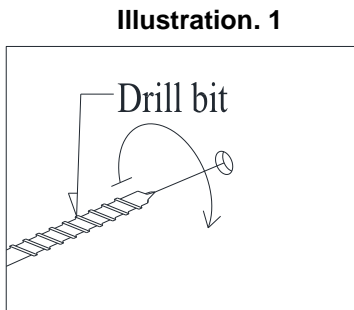
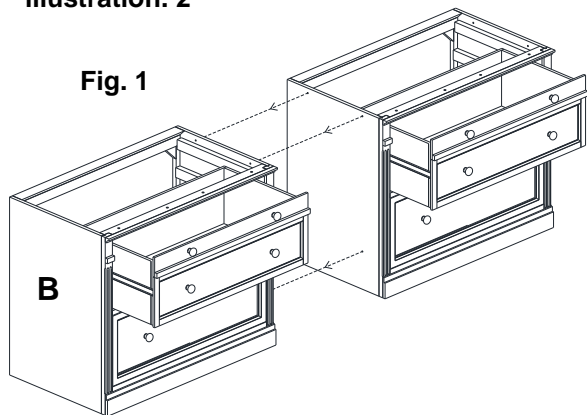
Bases Options (Sold Separately):

<p>Configuration #1: (B) Livingston Double Lateral File – 2x</p>	<p>Configuration #2: (B) Livingston Double Lateral File and (C) Livingston Single Drawer File – 2x</p>
	
<p>Configuration #3: (D) Livingston Double Glass Cabinet – 2x</p>	<p>Configuration #4: (D) Livingston Double Glass Cabinet and (E) Livingston Single Glass Door – 2x</p>
	

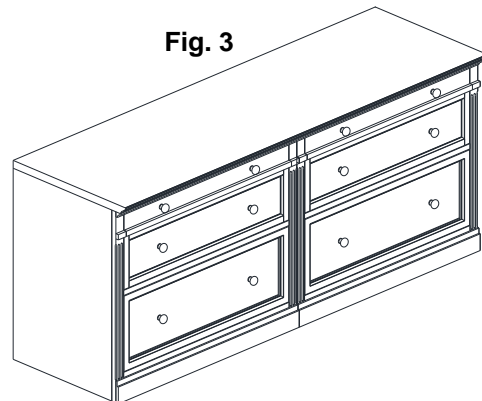
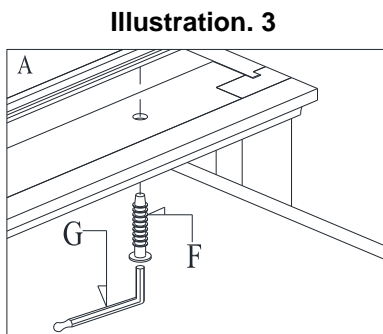
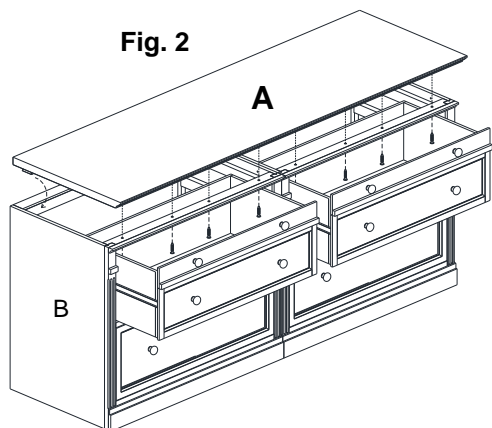
Assembly Instructions:

Configuration #1: Livingston Quadruple Top (A) and Livingston Double Lateral File (B)

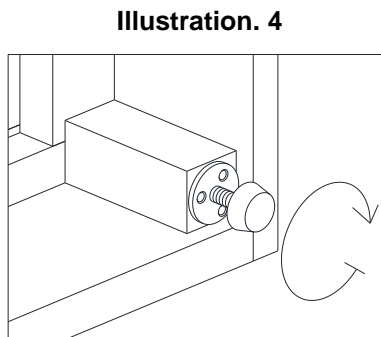
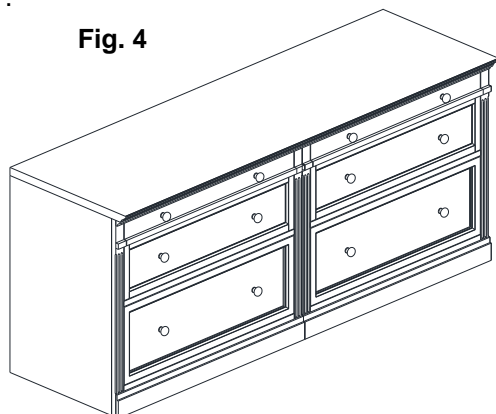
1. Open upper drawer of both Double Lateral Files (B) as shown in **fig. 1**. Use drill bit to penetrate the pre-drilled holes on the side panels of the furniture that will be connected together as shown in **fig. 1, illustration. 1**. Align the holes and insert the connector bolts then tighten with a screwdriver (Not Included) as shown on **fig. 1, illustration. 2**



2. Attach the Quadruple Top (A) on the top of the Double Lateral Files (B). Insert the Allen Bolts (F) through the holes on top frame of the Cabinets (B) into the inserts on the Quadruple Top (A). Tighten with the Allen Key (G) as shown in **fig. 2 illustration. 3**. Close the drawers back to their previous position as shown in **fig. 3**.

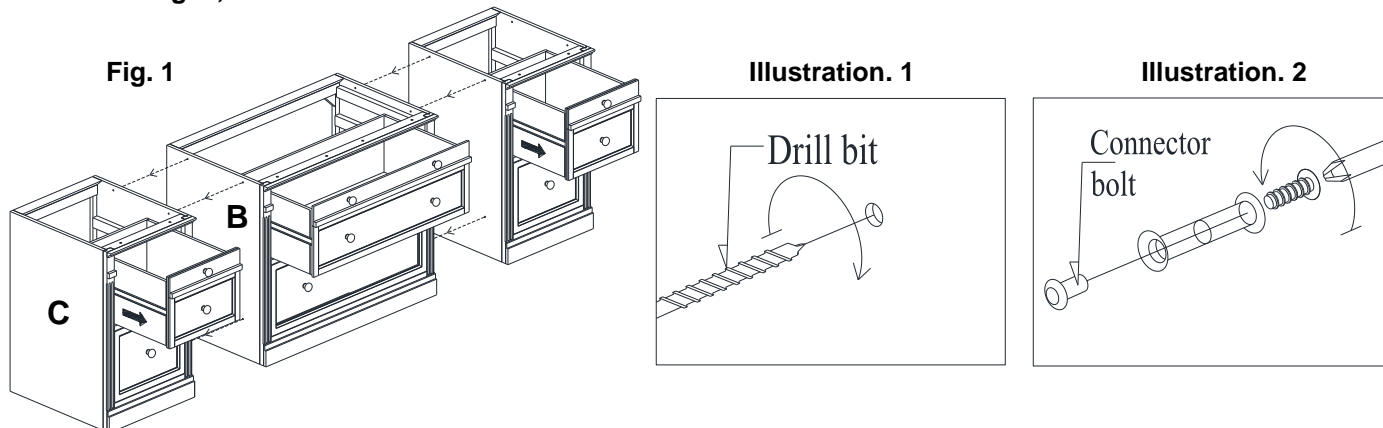


3. If the floor is uneven adjust the recessed levelers found on the bottom of the furniture as shown in **illustration. 4**.

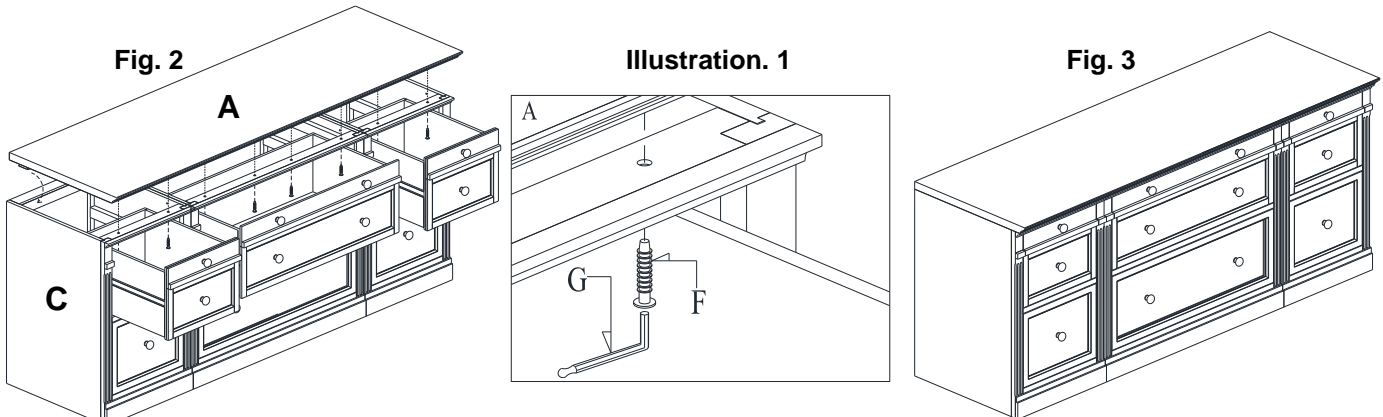


Configuration #2: Livingston Quadruple Top (A), Livingston Double Lateral File (B) and Livingston Single Drawer File (C).

1. Open upper drawer of both Single Drawer Files (C) and Double Lateral File (B) as shown **fig. 1**. Use drill bit to penetrate the pre-drilled holes on the side panels of the furniture that will be connected together as shown in **fig. 1, illustration. 1**. Align the holes and insert the connector bolts then tighten with a screwdriver (Not Included) as shown in **fig. 1, illustration. 2**.



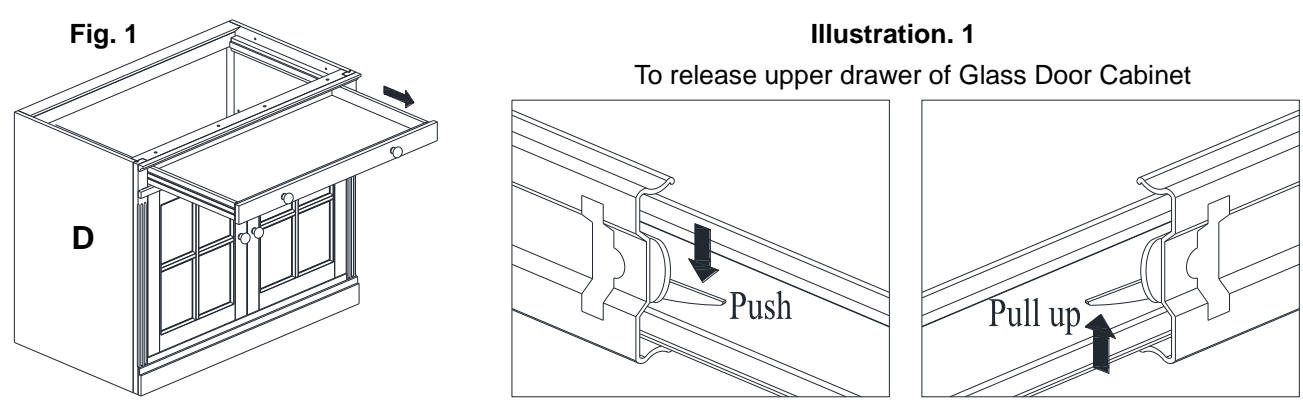
2. Attach the Quadruple Top (A) on the top of the Cabinet Files (B and C). Insert the Allen Bolts (F) through the holes on top frame of the cabinets (B and C) into the inserts on the Quadruple Top (A). Tighten with the Allen Key (G) as shown in **fig. 2, illustration. 3**. Close the drawers back to their previous position as shown in **fig. 3**.



3. If the floor is uneven adjust the recessed levelers found on the bottom of the furniture as shown in **page. 3, step. 3**.

Configuration #3: Livingston Quadruple Top (A) and Livingston Double Glass Cabinet (D).

1. Release upper drawer from each of the cabinets by fully extend the drawer case. Locate the release tabs on the right and left-hand slides as shown in **fig. 1**. Simultaneously press the release tabs up and down while pulling out the drawer as shown in **illustration. 1**.



- Use drill bit to penetrate the pre-drilled holes on the side panels of the furniture that will be connected together as shown in **fig. 2, illustration. 2**. Align the holes and insert the connector bolts then tighten with a screwdriver (Not Included) as shown in **fig. 2, illustration. 3**.

Fig. 2

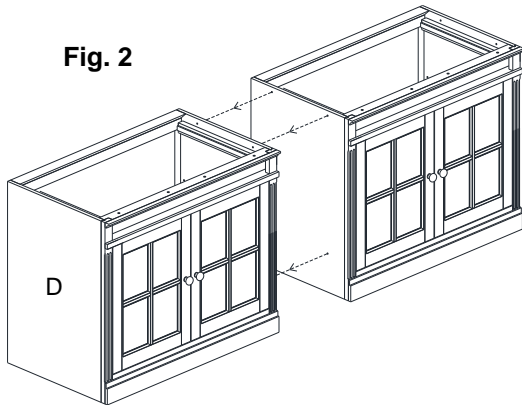


Illustration. 2

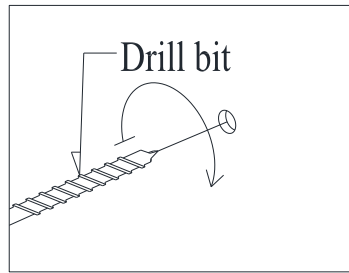
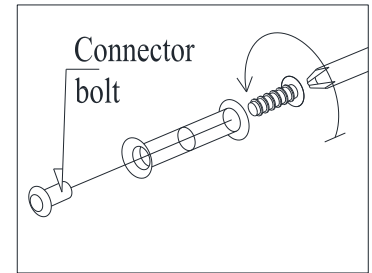


Illustration. 3



- Attach the Quadruple Top (A) on the top of the Cabinets (D). Insert the Allen Bolts (F) through the holes on top frame of the cabinets (D) into the inserts on the Quadruple Top (A). Tighten with the Allen Key (G) as shown in **fig 3, illustration. 4**.

Fig. 3

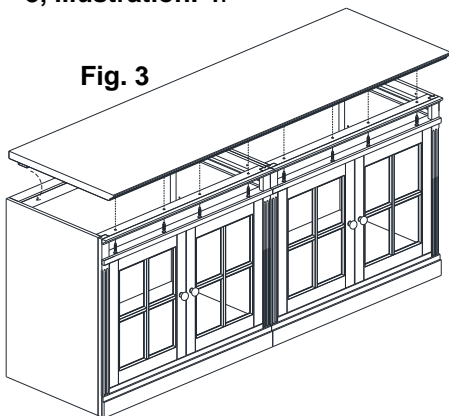
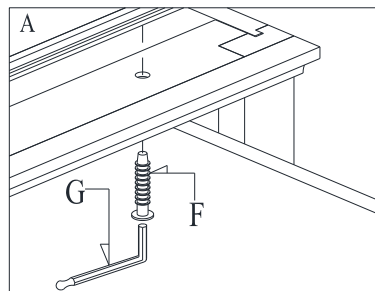


Illustration. 4



- Put the drawers back to their previous positions. Slide the drawer into the cabinet. Align the drawer rails together as shown in **fig. 3, illustration. 5**.

Fig. 4

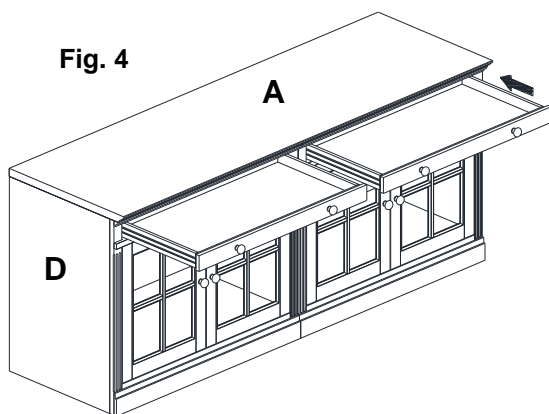
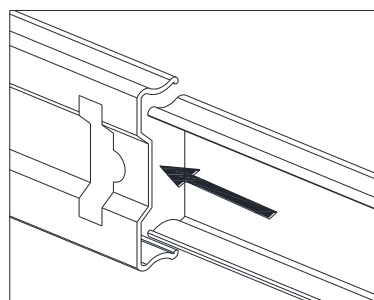


Illustration. 5



- If the floor is uneven adjust the recessed levelers found on the bottom of the furniture as shown in **page. 3, step. 3**.

Configuration #4: Livingston Quadruple Top (A), Livingston Double Glass Cabinet (D) and Livingston Single Glass Door (E).

1. Release upper drawer from each of the cabinets by fully extend the drawer case. Locate the release tabs on the right and left-hand slides as shown in **fig. 1**. Simultaneously press the release tabs up and down while pulling out the drawer as shown in **illustration. 1**.

Fig. 1

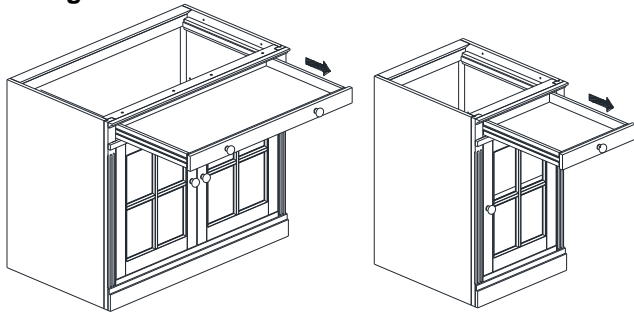
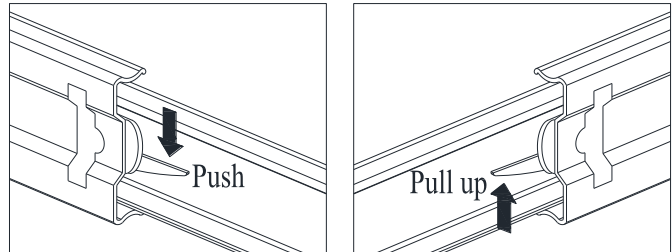


Illustration. 1

To release upper drawer of Glass Door Cabinet



2. Use drill bit to penetrate the pre-drilled holes on the side panels of the furniture that will be connected together as shown in **fig. 2, illustration. 2**. Align the holes and insert the connector bolts then tighten with a screwdriver (Not Included) as shown in **fig. 2, illustration 3**.

Fig. 2

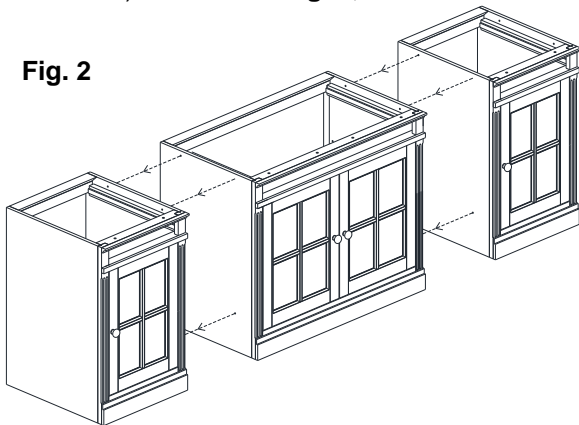


Illustration. 2

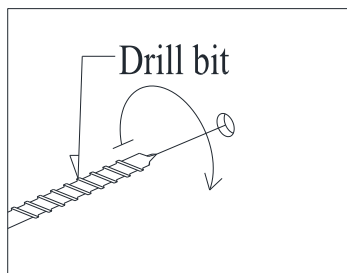
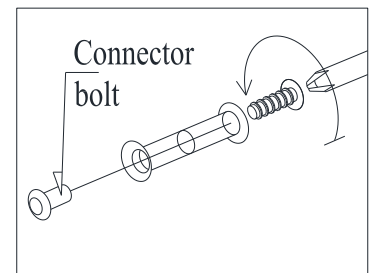


Illustration. 3



3. Attach the Quadruple Top (A) on the top of the Cabinet (D and E). Insert the Allen Bolts (F) through the holes on top frame of the cabinets (B and C) into the inserts on the Quadruple Top (A). Tighten with the Allen Key (G) as shown in **fig. 3, illustration. 4**. Close the drawers back to their previous position as shown on **fig. 4**.

Fig. 3

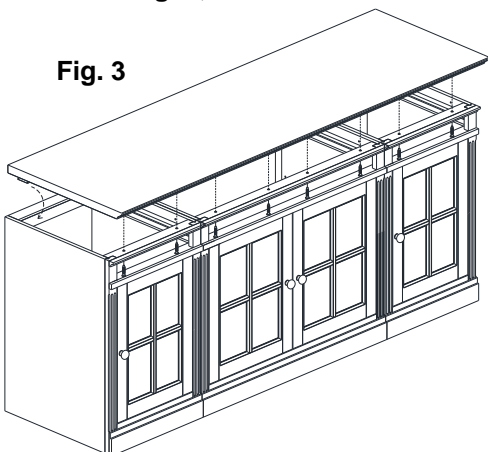


Illustration.4

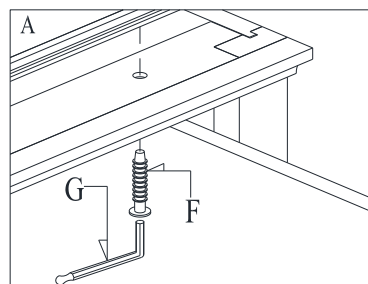
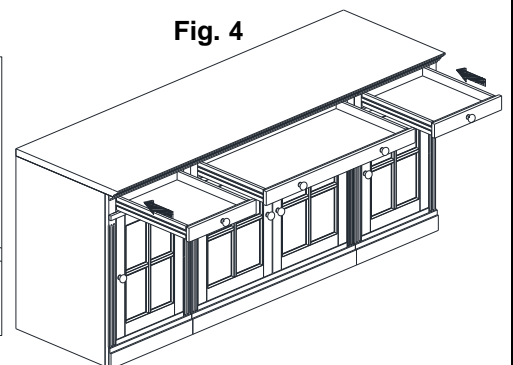


Fig. 4



4. If the floor is uneven adjust the recessed levelers found on the bottom of the furniture as shown in **page. 3, step 3**.

Care Instructions:

- Dust often using a clean, soft, dry and lint-free cloth.
- Blot spills immediately and wipe with a clean, damp, cloth.
- We do not recommend the use of chemical cleansers, abrasives or furniture polish on our lacquered finish.