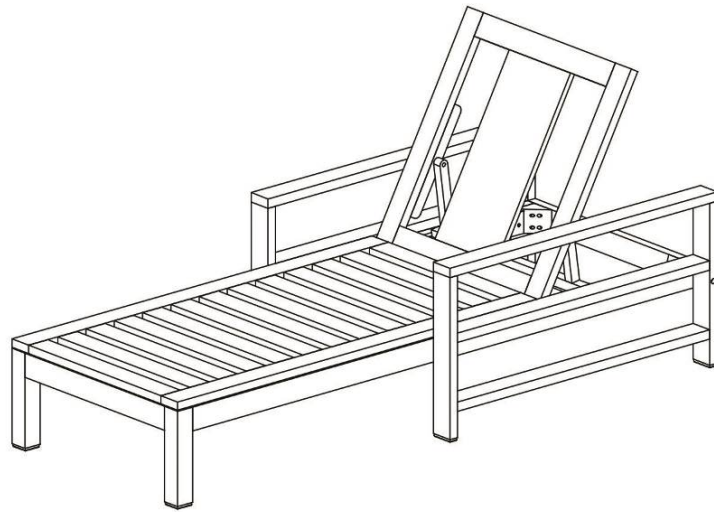


# POTTERY BARN



**INDIO SINGLE CHAISE**

**Important Safety Instructions:**

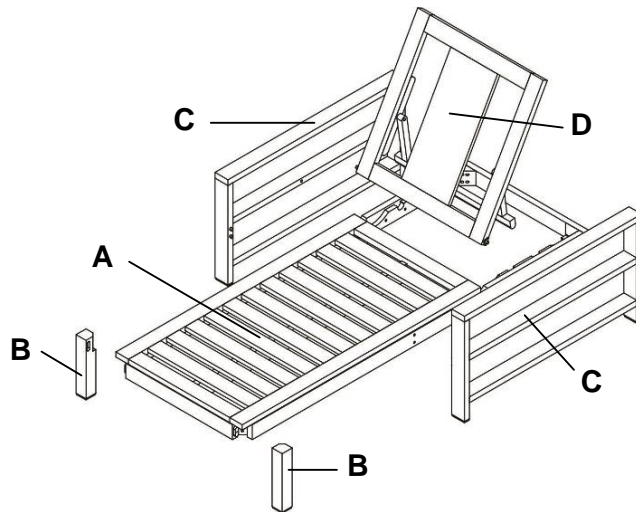
- Please read all instructions carefully before assembling.
- For your safety, assembly by two or more adults is strongly recommended.
- Keep instructions for future use.
- Use only vendor supplied hardware to assemble. Using unauthorized hardware could jeopardize the structural integrity of the item.
- Note: Do not fully tighten all bolts until all parts are in place. Failure to follow these instructions may cause the bolts to misalign during assembly.

**Pre-assembly:**





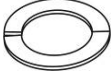

- Remove all parts and hardware from the box and lay out on a clear carpeted or scratch-free work surface, as this will avoid damaging parts during assembly. The shipping box provides an ideal work surface.
- Do not dispose of any packaging or contents of the shipping carton until assembly is completed to avoid accidentally discarding small parts or hardware.
- Use the parts and hardware lists below to identify and separate each of the pieces included.
- The illustrations provided allow for easier assembly when used in conjunction with the assembly instructions.
- The use of power tools to aid in assembly is not recommended. Power tools can damage hardware and split wood.

**Parts Included:**

- (A) Chaise Assembly 1pc
- (B) Legs 2pcs
- (C) Arm Assembly 2 pcs
- (D) Back Rest 1 pc

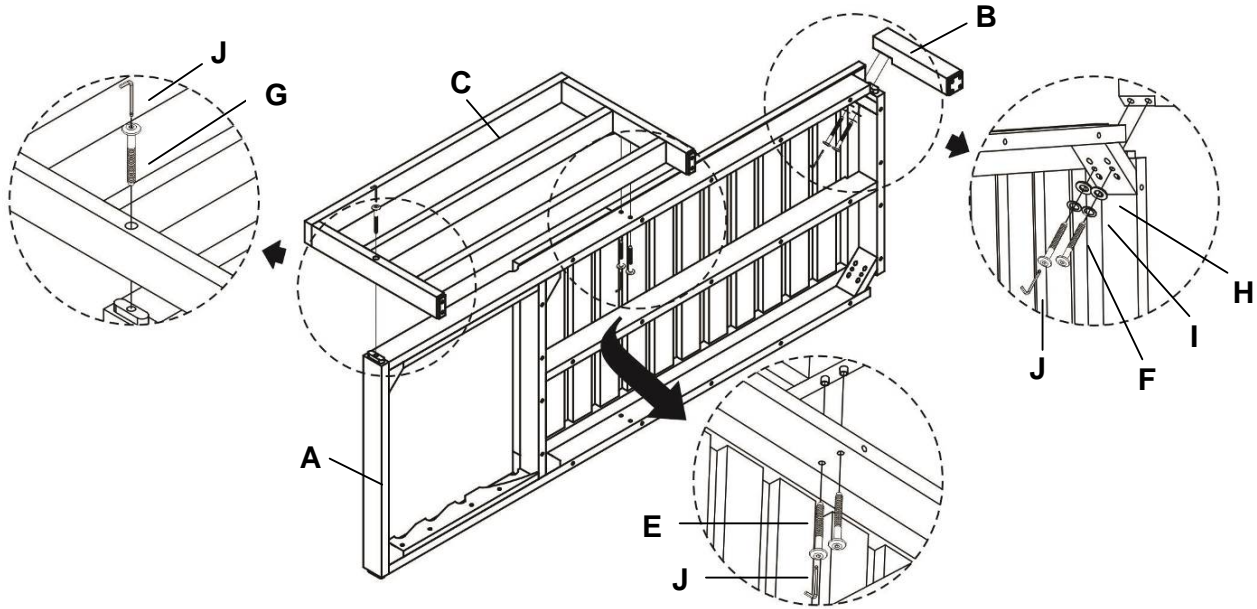


**Hardware Included:**

<p>(E) Short Bolt</p>  <p>M6 x 35 mm 4x</p>	<p>(F) Medium Bolt</p>  <p>M6 x 50 mm 4x</p>	<p>(G) Long Bolt</p>  <p>M6 x 75 mm 2x</p>
<p>(H) Flat Washer</p>  <p>Ø 13 x 1.2 mm 4x</p>	<p>(I) Lock Washer</p>  <p>Ø 11 x 2 mm 4x</p>	<p>(J) Allen Key</p>  <p>1x</p>

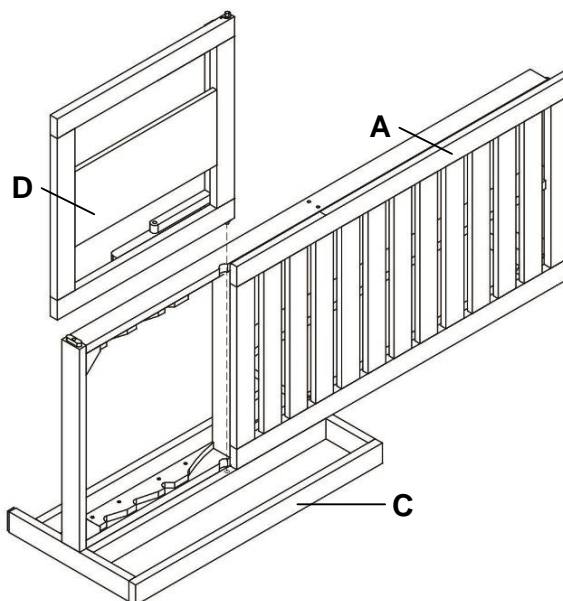
### Assembly Instruction Steps:

1. Carefully lay the Chaise Assembly (A) sideways on a flat, scratch-free or carpeted surface.
2. Assemble Right Leg (B) to the corner on the underside of Chaise Assembly (A) using 2 pcs Flat Washer (H), 2 pcs Lock Washer (I), and 2 pcs Medium Bolt (F). Tighten fully with the supplied Allen Key (J). (See. **Fig.1**).
3. Align the holes on the Right Arm Assembly (C) with corresponding holes on the right side of Chaise Assembly (A). Secure with 2 pcs Short Bolts (E) and 1 pc Long Bolt (G), tighten fully with the supplied Allen Key (J). (See. **Fig.1**).



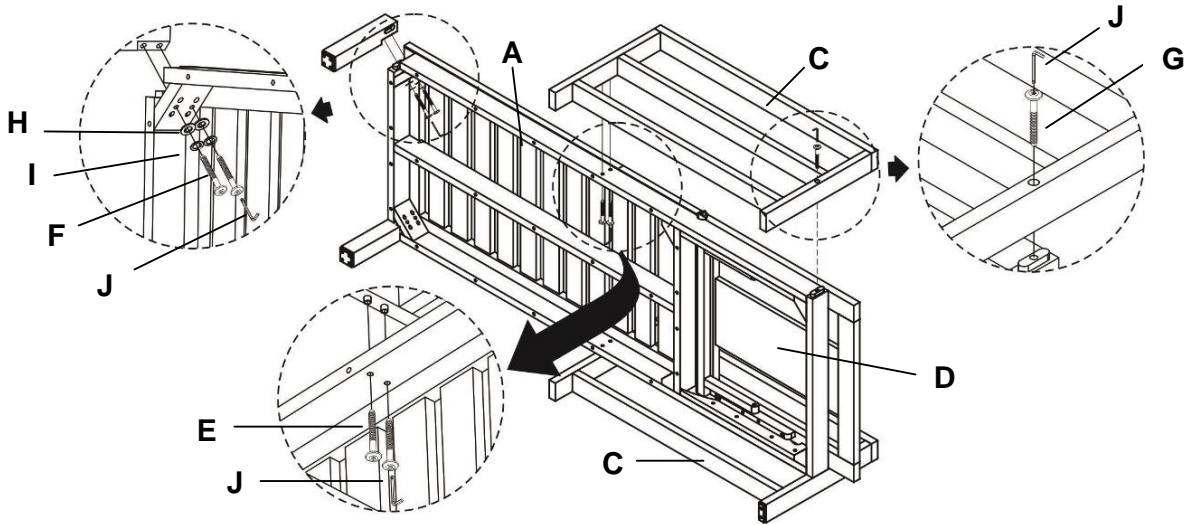
**Fig.1**

4. Attach Back Rest (D) to Chaise Assembly (A). Insert pin on the Backrest (D) to corresponding holes on the Arm Assembly (C) (See. **Fig.2**).



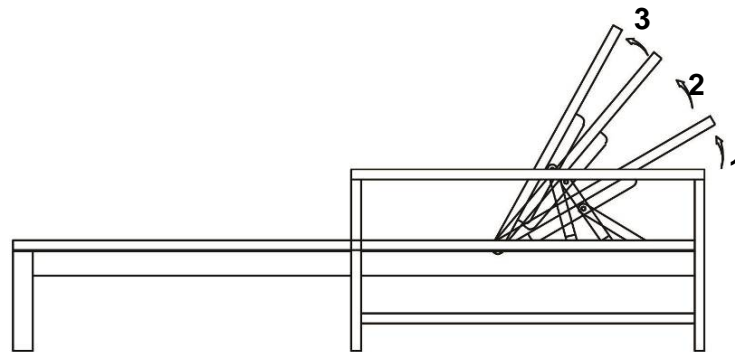
**Fig.2**

5. Repeat Step 2 & 3 above for Left Leg and Left Arm Assembly (C)(See. **Fig.2**).Grip the chaise firmly at each end and carefully turn upright. Make sure all assembly is secure and the chaise is stable.



**Fig.3**

6. Backrest can be raised or lowered to three levels. Make sure the back rest is secured before using the chaise. (See. **Fig.4**)



**Fig.4**

**Care Instructions:**

- Clean with a soft, dry cloth. Wipe spills with a clean dry cloth.
- Avoid the use of harsh cleaners and abrasives as they may damage the finish.
- For maintaining the finish, wash using mild soap or cleanser to remove accumulated dirt.
- Please consult with your nearest renovation center for choosing the best finish for this item.
- Store indoors during long periods on inclement weather. Make sure furniture is completely dry before storage.
- Cover furniture with outdoor covers (sold separately) when outside during inclement weather or when not in use.
- Use a proper outdoor cover allowing adequate ventilation without trapping moisture.

Thank you for your purchase  
stores | catalog

[www.potterybarn.com](http://www.potterybarn.com)