

Measuring Guide for Bali® Roller Shades and Solar Shades

Tools and Tips

- Steel tape measure – do not use cloth tape
- Measure each window and identify window locations – size variances are common
- Clearly record measurements – width vs. height

Double-check your work—always measure twice to ensure accuracy.

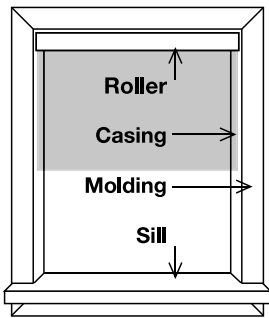


Choose a Mount Type: Inside Mount or Outside Mount

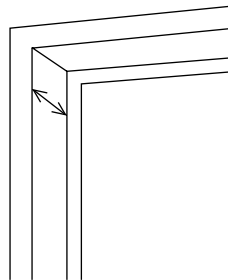
(See next page if you need help deciding which mount is best for your windows.)

Inside Mount

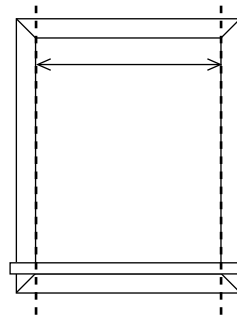
Window treatments are installed inside the window casing.



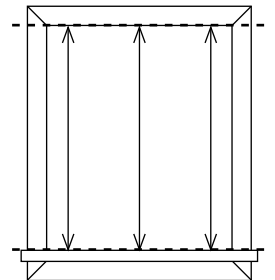
Inside Mount Blind



Depth



Width



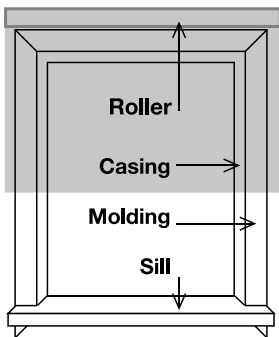
Height

- ➊ **Measure Depth:** See chart on next page to determine if window casing has enough depth for an inside-mount window treatment.
- ➋ **Measure Width:** Measure the inside width of window casing at the top of the window.
- ➌ **Measure Height:** Measure the inside height from the top of window casing to top of sill in three places. Record longest measurement.

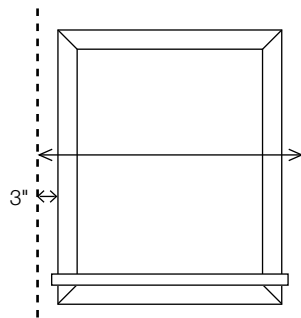
Note: To make sure your shade fits as well as possible, choose a whole inch width that is at least 1/8" smaller than your window. You may need to round down to get the correct width. The manufacturer will make NO deductions.

Outside Mount

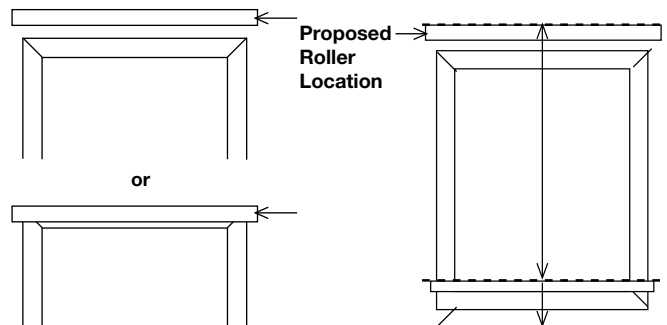
Window treatments are installed outside the window casing. Mount directly to wall or molding.



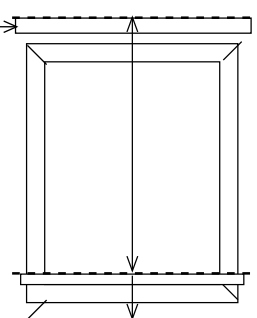
Outside Mount Blind



Width



Roller Location



Height

- ➊ **Measure Width:** Measure width to be covered. We recommend 3" overlap on each side of the window (6" total) for optimum light control and privacy. Record measurement.
- ➋ **Determine Roller Location:** Determine if roller will be on molding or above molding and mark spot.
- ➌ **Measure Height:** Measure height to be covered from top of roller location to top of sill or lower if overlap is desired for additional light control and privacy. Record measurement.

Note: The manufacturer will make NO deductions.

Mounting Considerations

Reason for Choosing Inside Mount

Clean Look

- Inside-mount treatments are installed inside the window casing, showcasing attractive window trim.
- The window opening frames the treatment for a finished, clean appearance.

Allows Sill Space on Deep Windows

- In some deep-set windows, the window treatment can be installed to allow plants or other items to be placed in front of the window treatment on the sill.

Limitations of Inside Mount

Light Gaps

- Because the shade must be slightly smaller than your window to ensure the best possible fit and performance, a small gap on each side of the treatment will affect its ability to fully darken a room.

Obstructed View

- The stack (compressed portion of the window treatment when fully raised) will obstruct part of the view from the window.
- The amount of stack varies by product and control type.

Architectural Obstacles

- Obstacles such as handles and cranks can interfere with the operation of inside-mount treatments.

Reason for Choosing Outside Mount

Improve Privacy and Light Control

- Light gaps on the side of the window treatment can be substantially diminished or eliminated.

Fewer Installation Limitations

- Outside-mount window treatments are ideal for covering non-square windows.
- Outside-mount window treatments are installed higher than the window opening for an unobstructed view when fully raised.

Architectural Obstacles

- Outside-mount window treatments can clear obstacles like handles and cranks.

Enlarge the Look of a Small Window

- Increase overlap above and below or to each side of the window.

Hide Window Trim

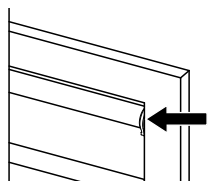
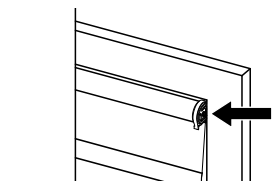
- Outside-mount treatments can easily hide unattractive window trim.

Limitations of Outside Mount

Required Surface Above Window Frame

- Outside-mount brackets require at least 2" of flat surface above window or on window frame for mounting brackets; projection brackets can be ordered if needed to clear frame or molding.

Inside Mount Window Casing Minimum Depth Requirements

<p>A. Flush Mount: The window casing is deep enough to mount the entire headrail inside it.</p> <p>B. Partially Recessed: The depth of the window casing is less than the space necessary for a flush mount. Part of the headrail will protrude from the window casing when it is installed.</p>		 <p>A. Minimum depth needed for Flush Mount</p>	 <p>B. Minimum depth needed for Partially Recessed</p>
Blind Type	Control Type	A. Minimum depth needed for Flush Mount	B. Minimum depth needed for Partially Recessed
No Valance	Cordless	2½"	2"