

# P O T T E R Y B A R N

## Mason Single Console with Sink Assembly Instructions

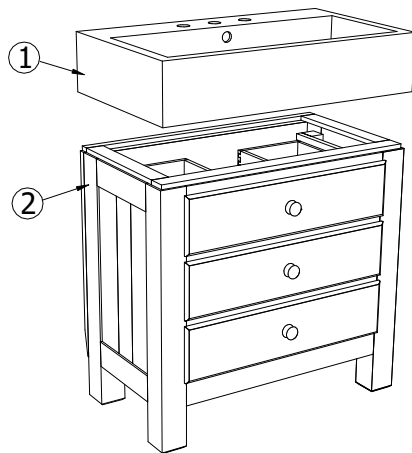
- Please read all instructions before beginning assembly.
- For your safety and convenience, assembly by two people is recommended.
- Use the parts and hardware lists to identify and separate each of the components included.
- Save all packing materials until assembly is complete to avoid the accidental discarding of smaller parts or hardware.
- A standard 8" spread faucet should be used with this sink console.

**Note :** Console need to be leveled and mounted to both wall and floor. Some hardware items needed for proper assembly and installation are not included : ex. Shim, spacer, high quality silicone or acrylic based bath sealant, etc.

Note : Avoid moving the top after it has been set into place.

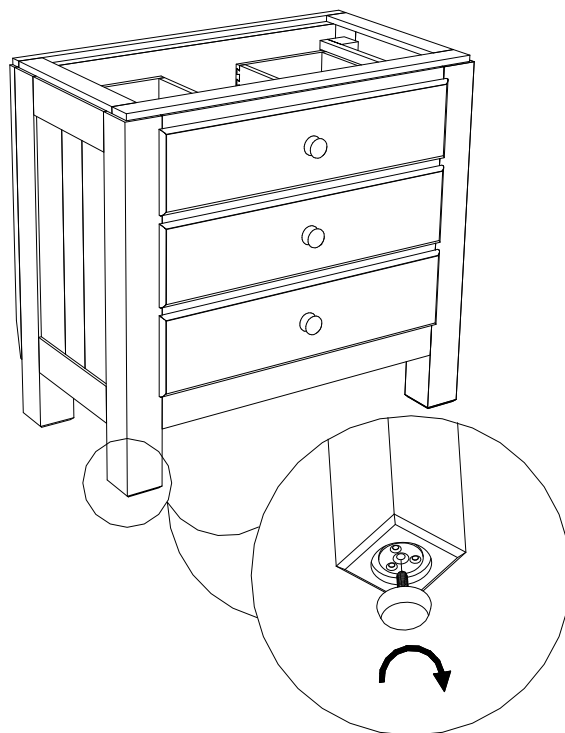
### PARTS Included:

- 1 - Square Basin - (1 x)
- 2 - Console base - (1 x)



### Assembly Instructions: .

1. Leveler adjustment: Levelers are pre-installed on the legs and adjust as needed to make sure the console is leveled. Turn counter-clockwise to increase height, clockwise to decrease height. See **Fig. 1**.

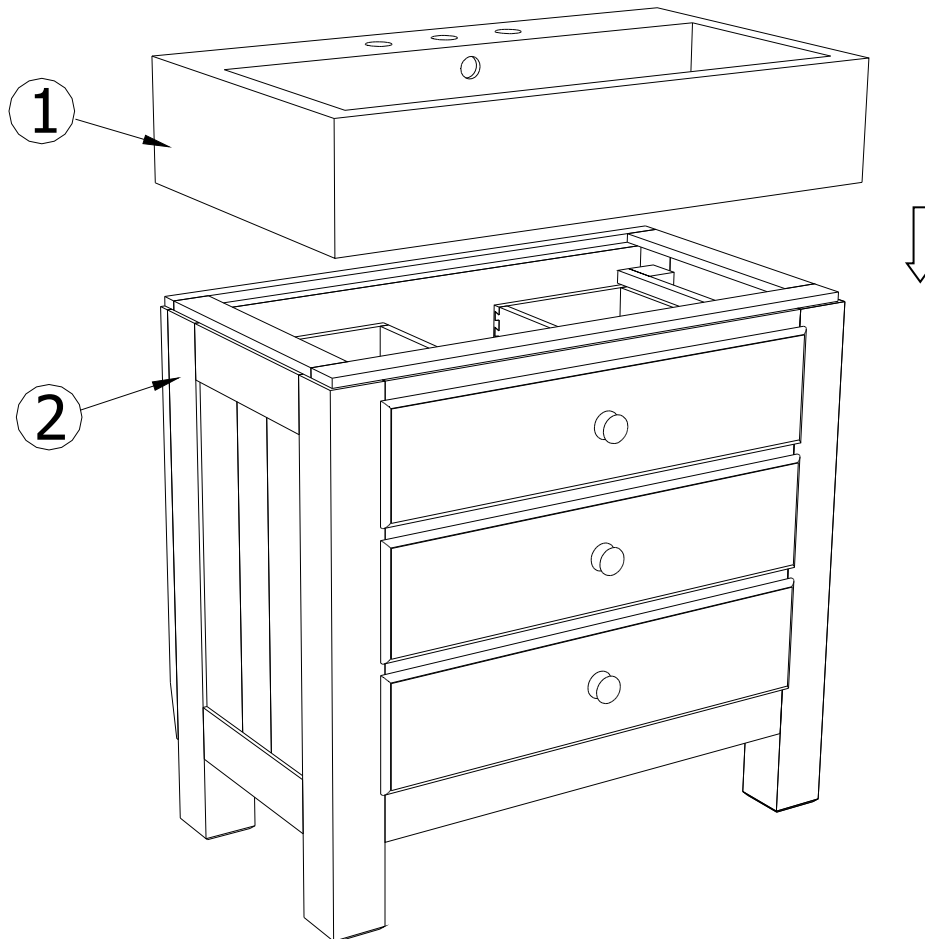


# POTTERY BARN

## Mason Single Console with Sink

2. Apply a high quality silicone or acrylic based bath sealant to the corners of the basin "1" rim where it will contact the base "2". Place basin "1" flat on console base "2". Avoid moving the basin after it has been set into place.

Fig. 1



3. Open console's top drawer to provide working space for installation of faucet and water supply.

### Wood Care Instructions:

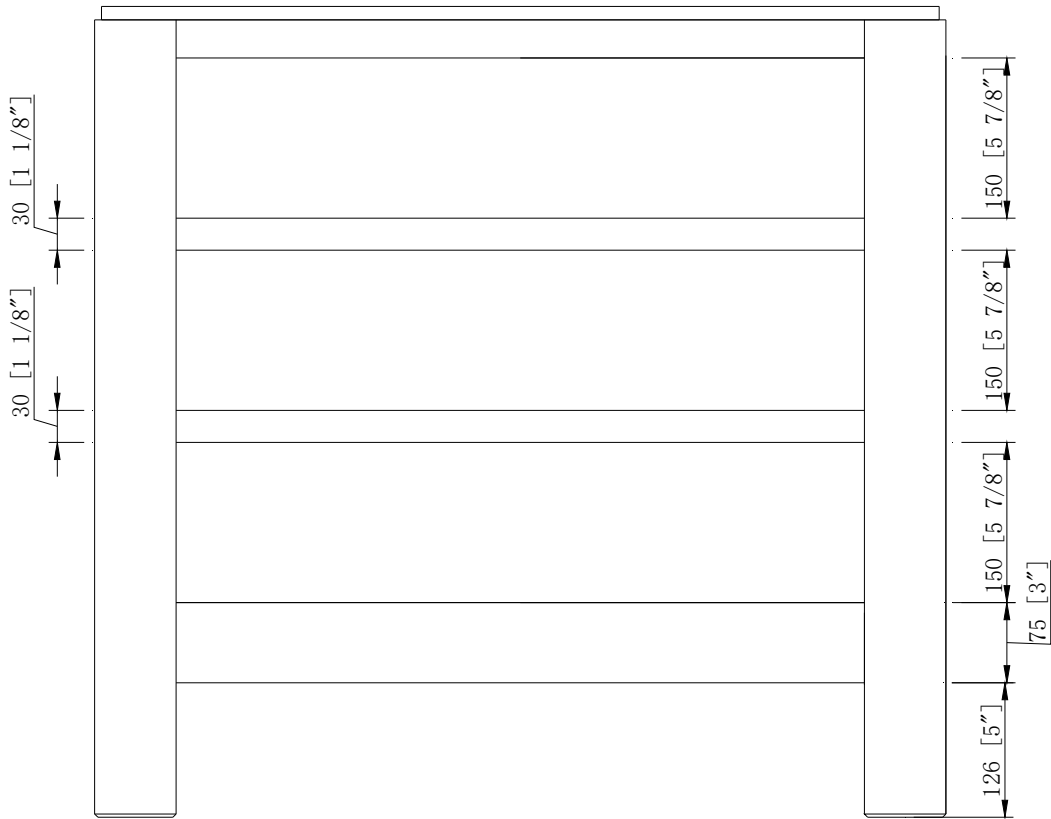
- Dust with a clean, soft damp cloth and wipe dry immediately.
- Avoid the use of chemicals and harsh cleaning agents.
- **TAKE NOTE: THE BOLTS MAY SLIGHTLY LOOSEN OVER TIME. IF YOUR FURNITURE FEELS "WOBBLY" OR LOOSE, PLEASE RE-TIGHTEN BOLTS.**

thank you for your purchase.  
stores | catalog | [www.potterybarn.com](http://www.potterybarn.com)

# P O T T E R Y B A R N

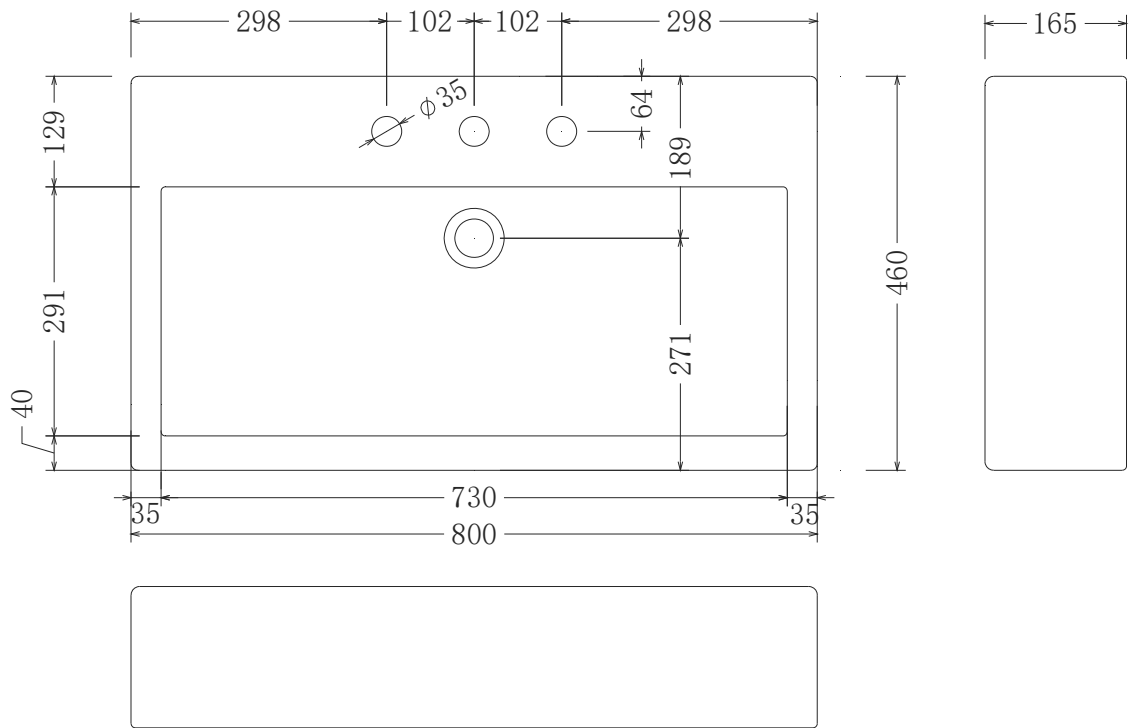
## Mason Single Console with Sink

Back view



# P O T T E R Y B A R N

## Mason Single Console with Sink



- 35mm = from side of marble top to side of basin
- 400mm = from side of marble top to basin drain hole
- 271mm = from front of marble top to basin drain hole
- 40mm = from front of marble top to front of basin
- 189mm = from centre of basin drain hole to back of marble top

