

# POTTERY BARN

## CLASSIC RATTAN QUEEN, KING & CAL KING BED Assembly Instructions

- Please read all instructions before beginning assembly.
- For ease of assembly, assembly by two people is recommended.
- Save all packing materials until assembly is complete to avoid accidentally discarding smaller parts or hardware.

### BOX 1

#### Parts Included:

- (1) Head Board
- (1) Foot Board
- (1) Hardware pack including:
  - (4) Wood Screws for Angle Bracket
  - (64) Wood Screws for Slats
  - (6) Screws for Center Leg

### BOX 2

#### Parts Included:

- (2) Side Rails
- (2) Slat rolls with 16 slats each
- (1) Center Rail
- (3) Center Legs

#### Tools Required:

- Phillips Screwdriver (not included)

#### Assembly Instructions:

1. Place the Headboard and Footboard near the desired location for the bed. See figure 1.

Figure 1

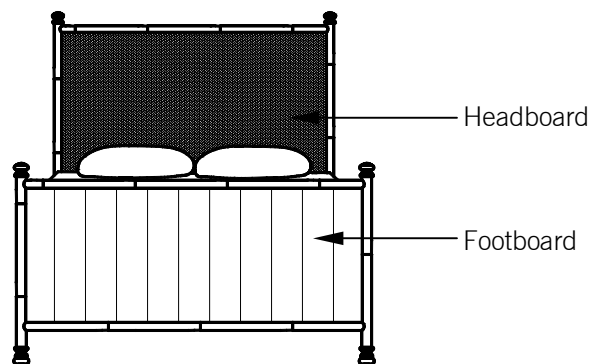
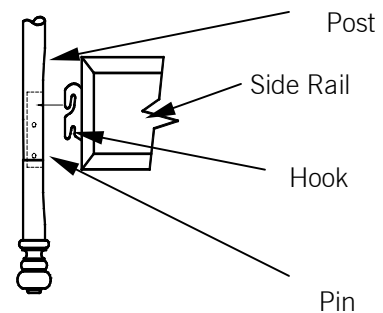


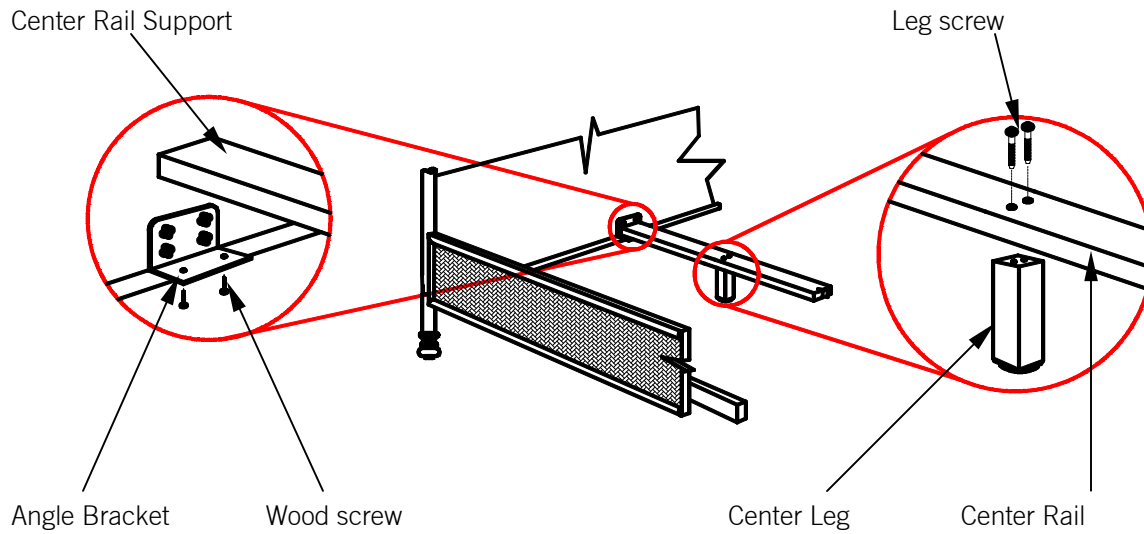
Figure 2

2. Locate the groove of each post, where the pin is inserted.
3. Align one side rail with hook at end to post. Insert the hook of the side rail into the groove of the post, slowly push downward to tighten the hook to the pin. Figure 2.
4. Repeat steps 2 and 3 until both side rails are completely attached.



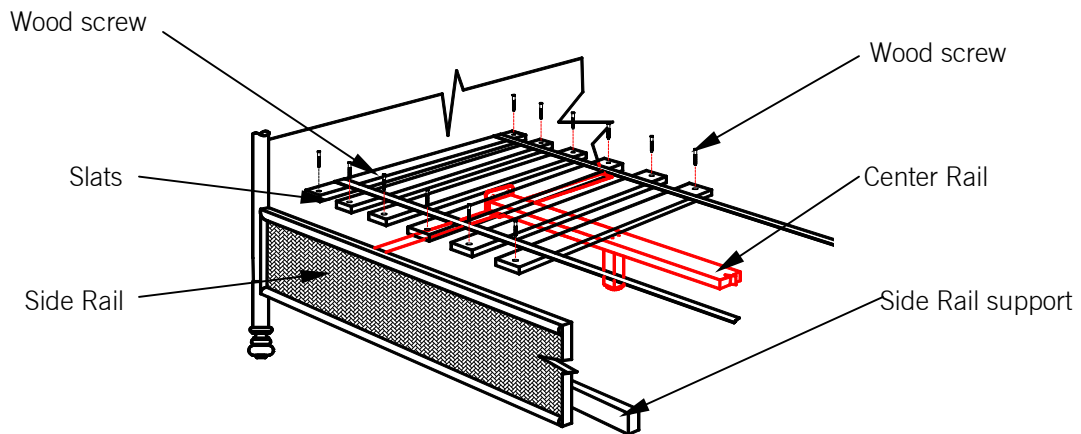
- Put the Center Rail on top of angle bracket of Headboard and Footboard. Secure with the provided screws. Figure 3.
- Attach the three Center Legs to the Center Rail by securing with the provided screws. Figure 3.

Figure 3



- Place the first set of slats on the top of Side Rail support and Center Rail support. Attach with the provided screws. Repeat with the second set of slats. Figure 4.

Figure 4



- Assembly is complete

Care Instructions:

- For daily cleaning, wipe with a soft damp cloth. Wipe dry immediately.
- To protect the finish, avoid the use of chemicals and harsh cleaning agents.