

P O T T E R Y B A R N

Hudson Bed Q/K/Calking

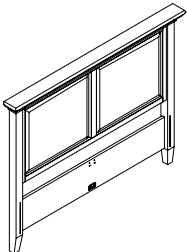
Assembly Instructions

Pre-Assembly:

- Please read all instructions carefully before assembly. For your safety and ease to assembly the products by two people is recommended.
- Carefully lay out and identify all parts and hardware prior to assembly. Save all packing materials until assembly is complete to avoid accidentally discarding small parts or hardware.

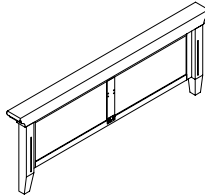
Parts Included:

□ BOX 1:



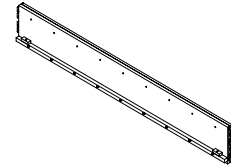
A. Headboard (1pc)

BOX 2:



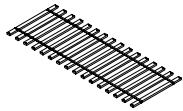
B. Footboard (1pc)

BOX 3:

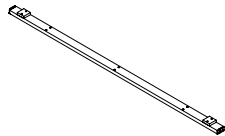


C. Siderails (2pcs)

□ BOX 3:



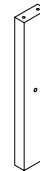
D. Slat roll (2pcs)



E. Center rail (1pc)



F. Support leg-short (3pcs)



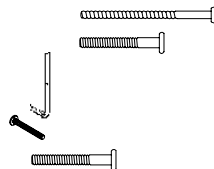
G. Support leg- Long (3pcs)

Tools Needed:

- Philips screwdriver (not provided)

Hardware included:

- (1) M6x100mmx11.5mm Allen Bolts (H)
- (6) M6x1-3/4"x11.5mm Allen Bolts (I)
- (1) Allen Key (J)
- (64)#8x30mm Philips head screws (K)
- (18) M6x44mmx11mm Allen Bolts (L)



Assembly Instructions:

1. Determine the desired height of the side rail lips. The lips have been pre-attached to the lower position (box spring level) on each side rail. Fig. 6. Lips may be adjusted to the higher position (platform level – makes box spring optional) by removing the Allen bolts and re-attaching lips to the higher set of pre-drilled holes. Fig. 7. Tighten with Allen Key (J). Caution: The lips on both side rails and the center rail must all be affixed at the same height.
2. Attach each side rail hooked end to into the corresponding slots of the Headboard and Footboard. Be sure the ledges of the side rails are facing inward. Fig. 1.
3. Review the height of side rails and adjust center rail to same height. **For box spring level:** The (3) shorter support legs should be used so the center rail will sit at the lower position (box spring level). Use the Allen bolts (I) to assemble the shorter support legs (F) with Allen key (J). Fig. 2. Attach the Center rail (E) to the Headboard (A) and Footboard (B).
4. Place slat roll on side rail ledges and roll out so the pre-drilled holes on the end slat line up with the pre-drilled holes on the side rail ledges. (Binding should face UP). Attach the cross-slats in place by inserting the 64 philips wood screws (K) and tightening with phillips screwdriver. Figure 3.
5. Assembly is complete.

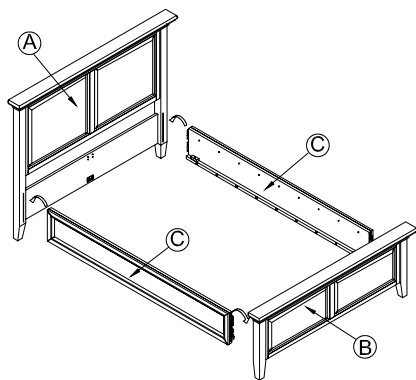


Figure #1

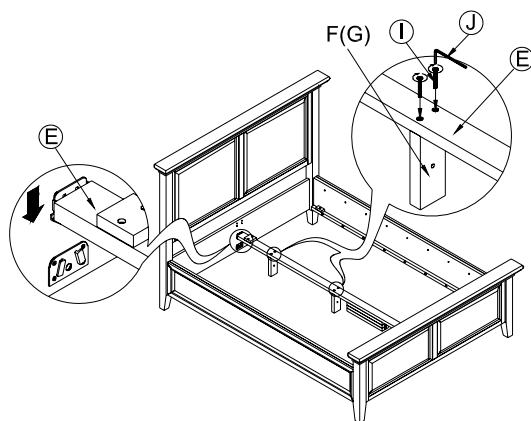


Figure #2

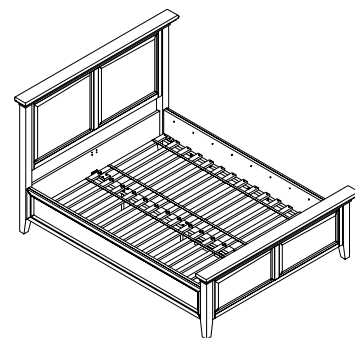


Figure #3

For platform level:

1. Adjust center rail so it sits at the higher position (platform level), attach the (3) taller support legs to the center rail using the Allen bolts (I). Secure with Allen key.
2. Move up the metal frames on the headboard and footboard. Fig. 8. Attach the Center rail (E) to the Headboard (A) and Footboard (B).
3. Place slat roll on side rail ledges. Roll out so the pre-drilled holes on the end slat line up with the pre-drilled holes on the side rail ledges. (Binding should face UP). Attach the cross-slats in place by inserting the 64 phillips wood screws (K). Tighten with Phillips screwdriver. Assembly is complete. Fig. 9.

Note: Legs can be stored under the center rail when not in use. Attach legs under rail using Allen bolt (H). Fig. 5.

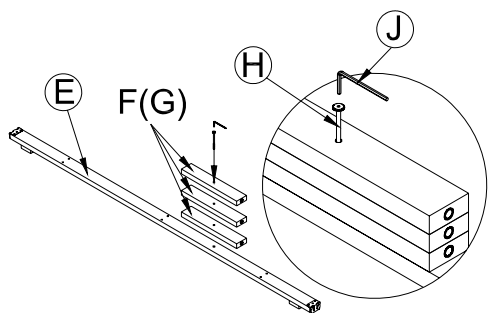


Figure #5

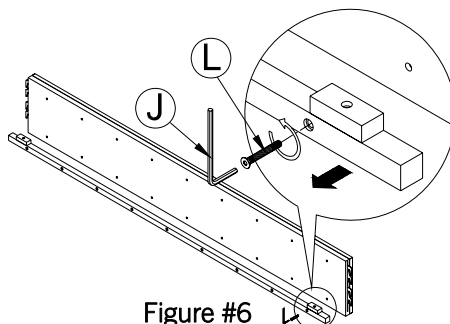


Figure #6

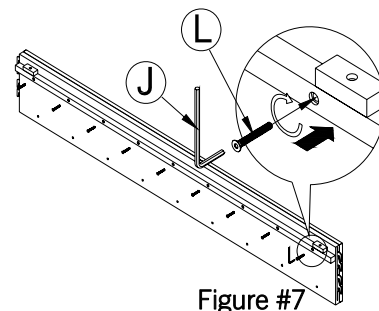


Figure #7

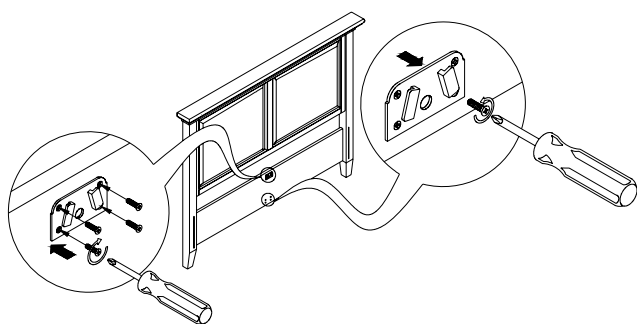


Figure #8

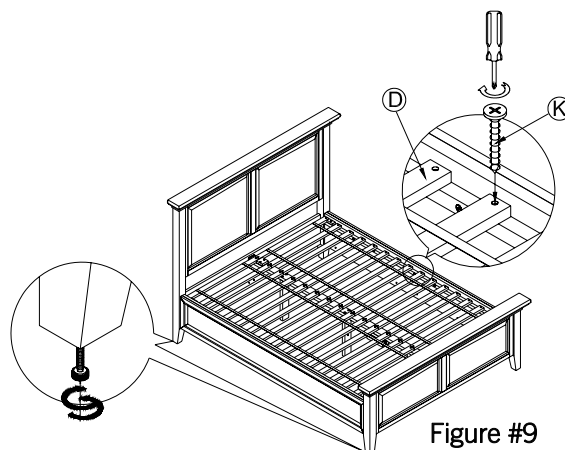


Figure #9

Note: If the floor is uneven, adjust the recessed levelers found pre-attached to the leg bottoms: Using two people, carefully grasp one side of the bed and elevate it slightly to provide access to levelers. Turn the levelers until adequate contact will be made with the floor. Carefully set the bed down. Repeat until the bed sits level and is stable. Fig. 9.

Care Instructions:

- To clean, wipe with a soft damp cloth. Always avoid the use of chemical and abrasive cleaners.
- Wipe spills immediately.