

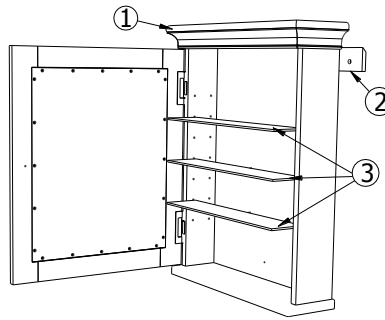
P O T T E R Y B A R N

Mason Medicine Cabinet – Wall Mount Assembly Instructions

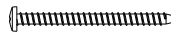
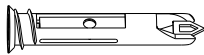
- Please read all instructions before beginning assembly.
- For your safety and convenience, assembly by two people is recommended.
- Use the parts and hardware lists to identify and separate each of the components included.
- Save all packing materials until assembly is complete to avoid the accidental discarding of smaller parts or hardware

PARTS:

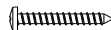
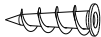
- 1 – Cabinet – (1 x)
- 2 – French Cleat (1 x)
- 3 –Glass Shelf (3 x)



HARDWARE:

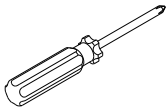


A –Toggle(Dia.1/2" x 2 1/2") – (2 x) B –Toggle screw(Dia.1/8" x 2 1/4") - (2 x) C – Screw(Dia.1/8" x 2") - (2x)



D –Anchor(Dia.1/2" x 1 1/4") – (1x) E – Anchor screw (Dia.1/8" x 1 1/4" - (1x) F – Shelf pin - (12x)

TOOLS NEEDED: (not included)



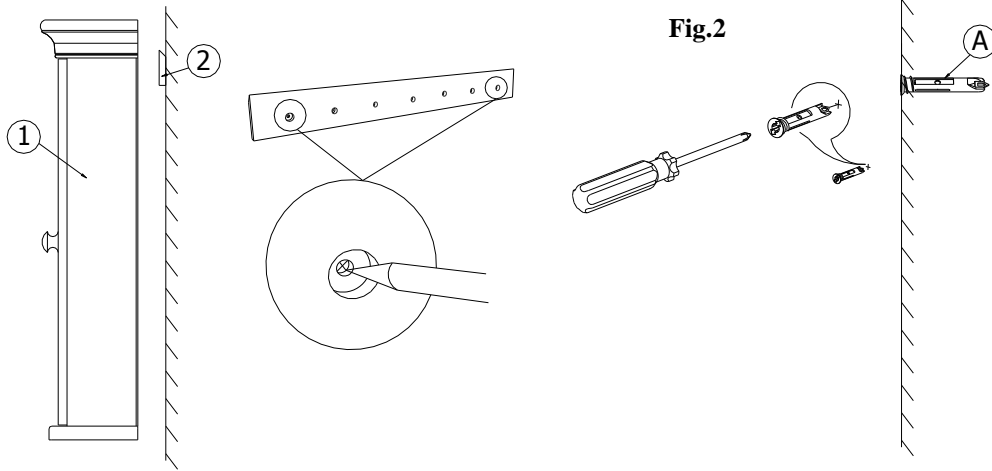
Phillips screwdriver

ASSEMBLY INSTRUCTIONS:

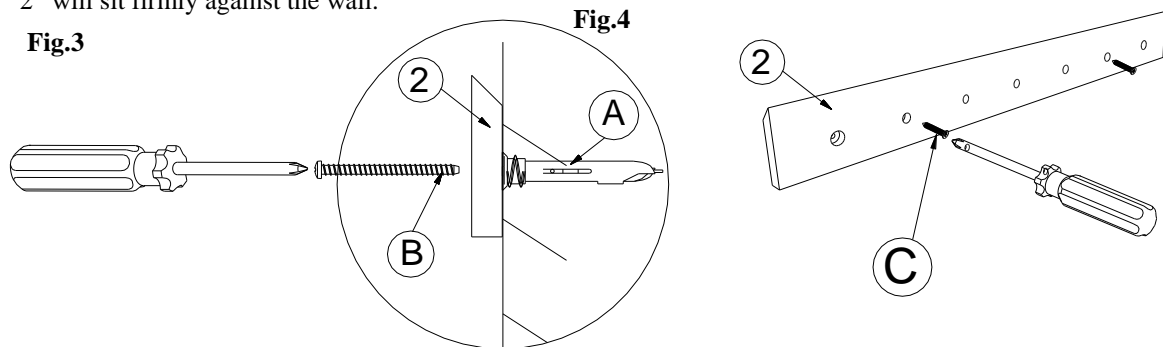
Attention: For safe mounting of this product, it is important to use the proper hardware for your wall type. The hardware included here is meant for drywall mounting only. If your walls are made from concrete, brick or plaster, please consult your local hardware store for assistance in selecting the appropriate hardware.

1. Determine the desired height of the cabinet, measure the position of French Cleat “2”, use a pencil to mark the wall through the pre-drilled holes on the ends of French Cleat “2”, this mark is the insertion points for the mounting hardware. (See **Fig.1**)

Fig.1

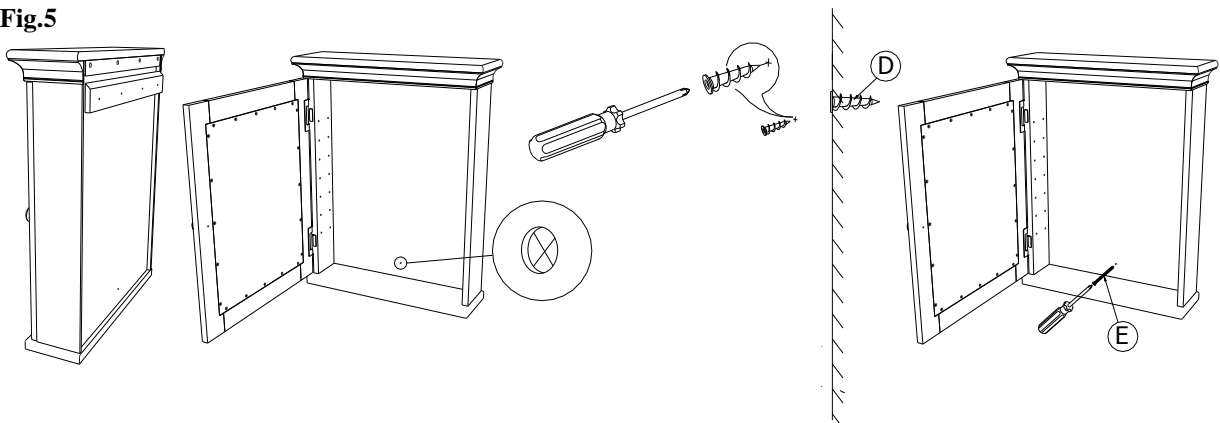


2. Install the Toggle (A) into the drywall by first aligning the pointed end of the toggle (A) against the mark from previous step. Use the Phillips screwdriver to rotate the Toggle (A) clockwise as you push the toggle lightly into the wall. The toggle will self-drill and thread into the sheetrock as it is rotated. Continue rotating until the flange of the toggle meet flush with the wall surface. (See Fig.2)
3. Align the pre-drilled holes located on the ends of the French Cleat "2" with the installed toggles. Insert a Toggle Screw (B) into the hole located on the end of the French Cleat "2" and finally into the installed toggle. Continue to hold the French Cleat "2" in place while using the Phillips screwdriver to rotate clockwise the Toggle Screw (B) until it is fully tightened. See Fig.3 Be patient this will require several turns. Same way to assemble another Toggle Screw (B). Then attach French Cleat "2" center to the wall by assembling two screws (C) in the pre-drilled holes located on the middle of French Cleat "2". See Fig.4 Once all the screws are tight the French Cleat "2" will sit firmly against the wall.



4. Hanging Cabinet "1" on the French Cleat "2". In order to hold the bottom of the cabinet in place and to prevent the cabinet from accidentally being dislodged from the cleat, use the same way of assembling Toggle (A) to assemble the Anchor (D) and attach bottom of cabinet to the wall using Anchor screw (E). (See Fig.5)

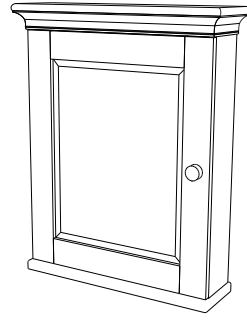
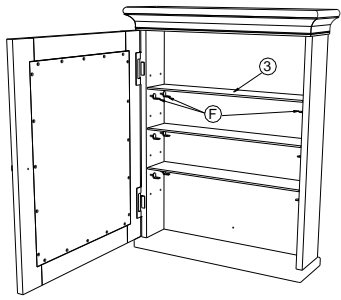
Fig.5



5. Determine the desired height of the Glass Shelf "3", put two Shelf Pines (F) in the pre-drilled holes on one side, then put another two Shelf pins in the same height on the other side, finally put Glass Shelf "3" on shelf pins, use the same way to assemble remaining Glass shelves "3". (See Fig.6)

Fig.6

Fig.7



6. Assembly is complete. (See **Fig.7**)

Care Instructions:

- Dust with a clean, soft damp cloth and wipe dry immediately.
- Avoid the use of chemicals and harsh cleaning agents.

thank you for your purchase
stores | catalog | www.potterybarn.com

