

POTTERY BARN

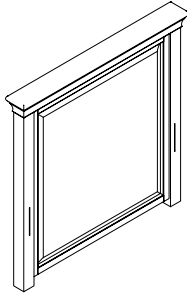
Hudson Daybed

Pre-Assembly:

- Please read all instructions carefully before assembly.
- For your safety and ease to assembly the products by two people is recommended.
- Carefully lay out and identify all parts and hardware prior to assembly.
- Save all packing materials until assembly is complete to avoid accidentally discarding small parts or hardware.

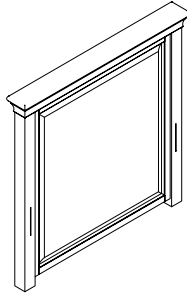
Parts Included:

□ BOX 1:



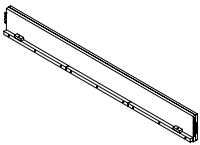
Headboard (1pc)

□ BOX 2:

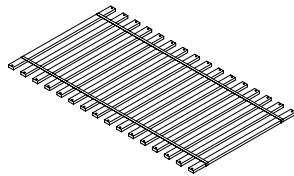


Footboard (1pc)

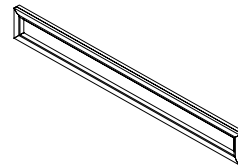
□ BOX 3:



Side rails (2pcs)



Slat roll (1pc)



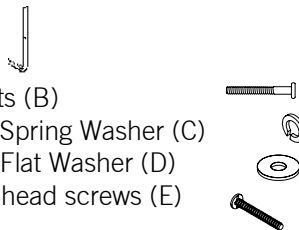
Trundle front board (1pc)

Tools Needed:

- Philips screwdriver (not provided)

Hardware included:

- (1) Allen Key (A)
- (6) 1/4"x3/4" Allen Bolts (B)
- (6) 1/4"x10mmx2mm Spring Washer (C)
- (6) 1/4"x16mmx1mm Flat Washer (D)
- (32) #8x30mm Phillip head screws (E)



Assembly Instructions:

1. Attach each side rail to the end boards by dropping the hooked ends into the corresponding slots. Be sure the ledges of the side rails are facing inward. Figure #1.

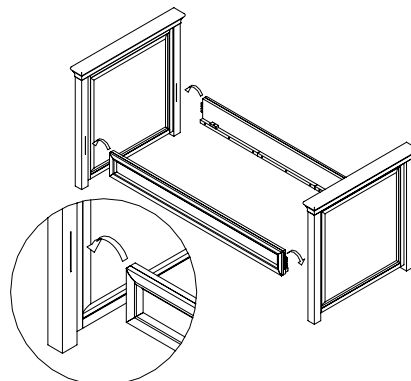


Figure #1

2. Place slat roll on side rail ledges so the pre-drilled holes on the slat roll line up with the pre-drilled holes on the side rail ledges. (binding should face UP). Attach the slats by inserting the Phillips wood screws (E). Tighten with Phillips screwdriver. Figure #2.

Note: If the floor is uneven, adjust the recessed levelers which are found pre-attached to the leg bottoms. Figure #3.

- Using two people, carefully grasp one side of the daybed and elevate it slightly to provide access to levelers.
- Turn the levelers until adequate contact will be made with the floor.
- Carefully set the daybed down. Repeat until the daybed sits level and is stable.

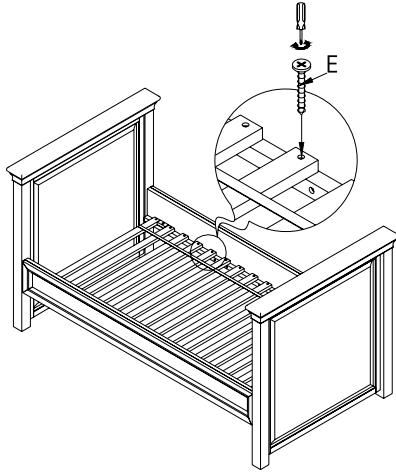


Figure #2

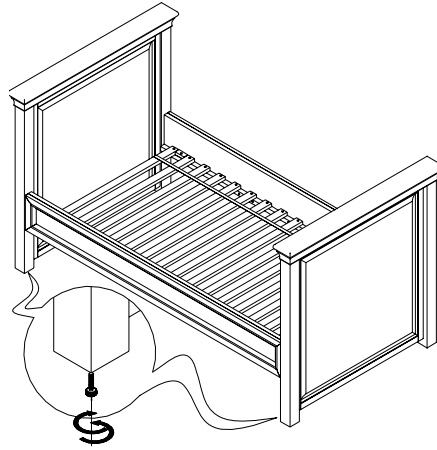


Figure #3

3. Hold trundle front board upright and tilted slightly towards the faceplates of the pre-assembled bed frame. Figure #4.

- Insert an (B) Allen bolt into (C) spring washer and (D) flat washer. Continue the screw through the hole in the back of the trundle front board.
- Repeat for all pre-drilled holes.
- Tighten Allen bolts by using enclosed (A) Allen key. Periodically tighten all connections.

4. Assembly is complete. Figure #5.

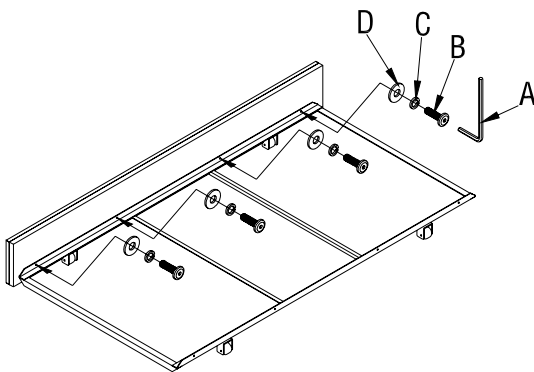


Figure #4

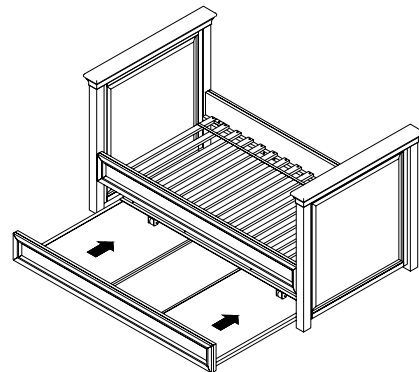


Figure #5

Care Instructions:

- To clean, wipe with a soft damp cloth.
- Always avoid the use of chemical and abrasive cleaners.
- Wipe spills immediately.

thank you for your purchase

stores | catalog | www.potterybarn.com