

POTTERY BARN

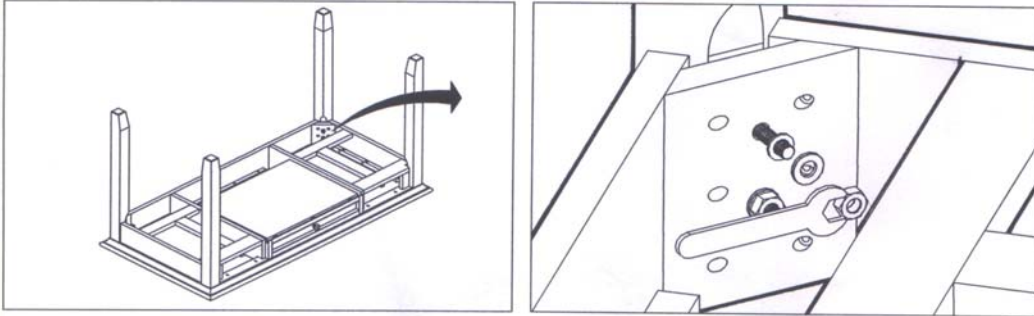
Hudson Writing Desk

Hardware Enclosed:

- (8) Thread bolt M.8 x 2 $\frac{3}{4}$ "
- (8) Flat Washer
- (8) Spring Washer
- (8) Hexagonal Nut M.8
- (1) Wrench Key

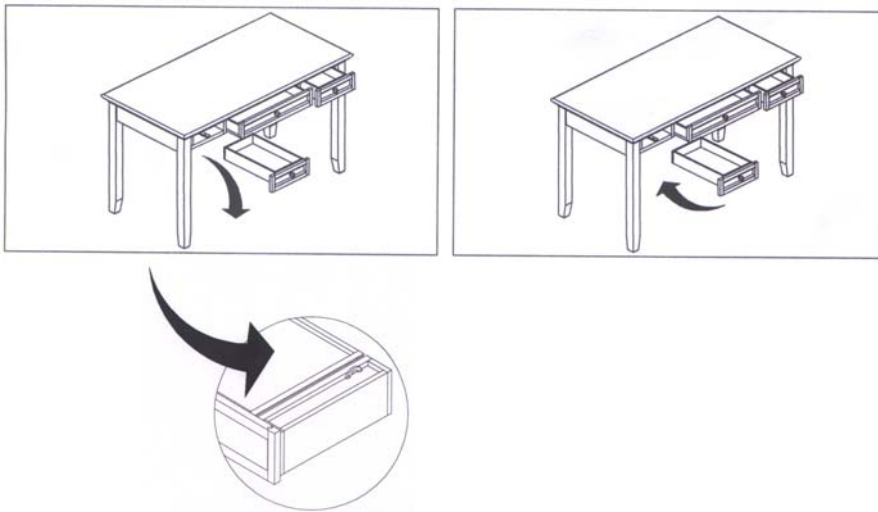
Assembly Instructions:

1. Lay the table top upside down on a soft, smooth and flat surface.
2. Install legs on the each corner using the bolt, spring washer, flat washer and hexagonal nut. Tighten with the wrench key.



Drawer removal instructions:

1. Grasp drawer and pull partially open.
2. Locate plastic drawer stop attached to the wooden drawer runner below the drawer box. Pull out. Remove drawer.
3. Re-engage drawer stop to original position before replacing drawer.



Care Instructions:

- For daily cleaning, dust with a dry, soft cloth.
- Avoid the use of chemical and abrasive cleaners.
- Wipe up spills immediately.

thank you for your purchase