

P O T T E R Y B A R N

Kensington Medicine Cabinet Mounting Instructions

Professional Installation is Strongly Recommended!

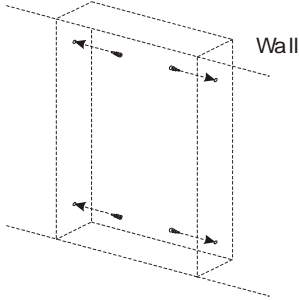
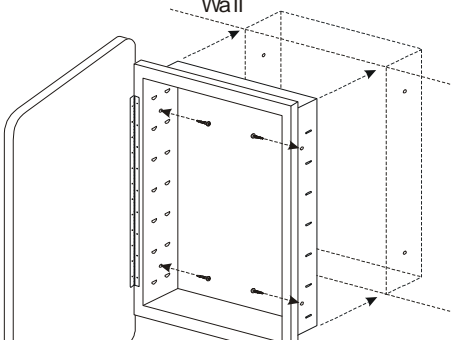
This item is meant to be installed in a recess formed within a framed wall construction and is sized to fit between conventional wall stud spacing (14.5 inches between studs – 16 inches between stud centers). Since the installation requires some cutting of the wall and some framing around the cut opening between the studs, we strongly recommend that this item be installed by a professional.

Tools Needed: Tape Measure, Stud Finder, #2 Phillips Screwdriver, Pencil, AND Appropriate cutting and framing tools to cut an accurate hole in a wall and properly frame the cut opening.

Parts Included: (4) Metal Screws (for mounting); (12) L-Shaped Shelf Supports; and (3) Glass Shelves

Maximum load for each shelf is 10 pounds (about 4.5kg.)

Installation Instructions:

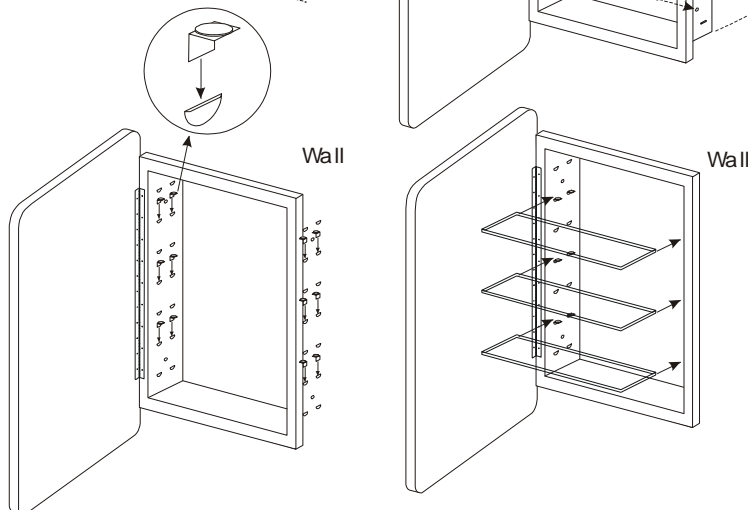
- 1) Determine the desired mounting location and use a stud finder to locate and mark the studs in the area. This cabinet is sized to fit between 16 inch spaced studs (from centers). If the desired mounting location happens to align between two studs, great. If, however, a stud happens to intersect the mounting location and you are unwilling to move the desired mounting location to avoid a stud, then the professional installer will have to cut the wall stud and properly frame the opening, as if it were a window. The details of this framing operation is beyond the scope of this installation. The end result is that this medicine cabinet requires a stud to be positioned along each side.
- 2) Use appropriate tools to carefully cut into the wall material a vertical rectangle measuring 14.5 inches wide and 24.25 inches in height.
- 3) Fit the cabinet into the cutout and push it in so that the frame of the cabinet is flush against the wall. Note that the cabinet may be inverted to change how the mirror opens (from the left or the right).
- 4) Use the provided screws to secure the cabinet to the adjacent side wall studs – two screws on each side. Use the provided two screw-holes located along the side walls inside the cabinet. Use a power screwdriver to secure the screws directly into the adjacent studs.
- 5) Installation complete.

Install the Shelves:

Insert the L-shaped shelf supports into select support loops that are provided along the inside walls of the cabinet, as shown in the adjacent illustration.

Each shelf requires four shelf supports.

Position each shelf as desired.



Care Instructions:

Wipe with a soft, dry cloth. To protect the finish, do not use household cleaners or abrasives.

thank you for your purchase!