

# P O T T E R Y B A R N

## Linden Bed

### Pre-assembly:

Please read all instructions carefully before assembly. For your safety and ease, assembly by two people is recommended.

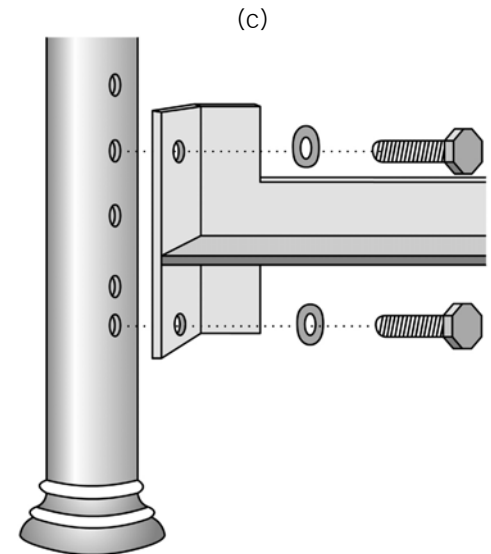
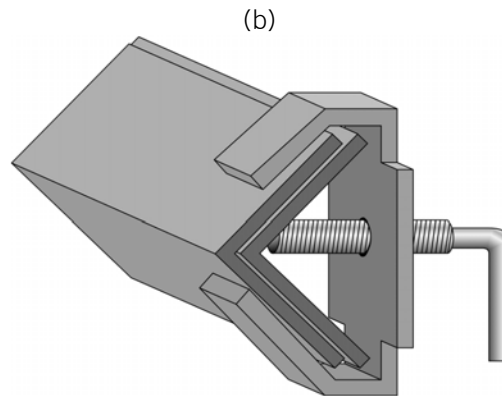
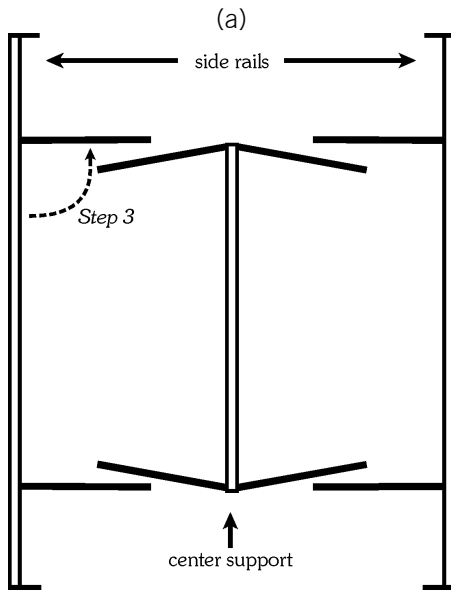
Save all packing materials until assembly is complete to avoid accidentally discarding small parts or hardware. Please note: Hardware Packet will be taped to foam packaging around Headboard Leg.

For a Twin/Full Frame you will not have a center support. All other directions will be the same.

Hardware Included:	Box 1	1	Headboard
	Box 1	1	Footboard
	Box 1	8	1/4" x 1" Screws
	Box 1	8	1/4" Flat Washers
	Box 2	2	Side rails
	Box 2	1	Center Support (Q/K/CK only)
	Box 2	4	Foot Pads (6 for Q/K/CK)
	Box 2	2	Clamps (4 for Q/K/CK)

### Assembly Steps:

1. Screw foot pads into legs of side rails (and center support for Q/K/CK).
2. Pull angle arms out to 90 degrees on both side rails and center support. Place rails and center support on the floor (a).
3. Slide clamps over the ends of the angle arms of the side rails. Note: They will only go on one way (b).
4. Press the siderail arms and the center support arms together until they are nestled. Slide the clamp back over both the nestled arms and tighten the clamp slightly (b). Repeat for all arms. Note: Do not completely tighten the clamps yet.
5. Attach the headboard and footboard to the frame with the included screws and washers (c). Do not tighten screws completely.
6. Place box spring (not included) onto the frame so that it fits snugly into the lips of the siderails. Adjust by sliding the frame in or out to ensure a snug fit. Once the box spring sits comfortably into the frame, carefully reach under frame and tighten the clamps by hand.
7. Tighten screws and washers until snug. Do not over-tighten.



**Care Instructions:** Dust with a soft dry or slightly damp cloth. Avoid the use of cleaners and polishes.

thank you for your purchase  
stores | catalog | [www.potterybarn.com](http://www.potterybarn.com)