

P O T T E R Y B A R N

Napa Double Sconce

Assembly Instructions

IMPORTANT SAFETY INSTRUCTIONS:

- These instructions are provided for your safety. It is important that they are read carefully and completely before installing fixture.
- **THIS PRODUCT MUST BE INSTALLED IN ACCORDANCE WITH THE APPLICABLE INSTALLATION CODES BY A PERSON FAMILIAR WITH THE CONSTRUCTION AND OPERATION OF THE PRODUCT AND THE HAZARDS INVOLVED.**
- We strongly recommend that a professional electrician install all direct wire fixtures.
- This fixture has been rated for up to **(2) 60-watt maximum TYPE A bulb** (not included). To avoid the risk of fire, do not exceed the recommended wattage.
- The lighting fixture is meant for indoor use, **SUITABLE FOR DAMP LOCATIONS**. It must be connected only to 3-wire, single-phase electrical supply systems (provided with Ground wire or equivalent protection system).
- **SAVE THESE INSTRUCTIONS.**

WARNING:

- **To reduce the risk of fire, electrical shock or personal injury, always turn off light fixture and allow it to cool prior to replacing light bulb.**
- **Do not touch bulb when fixture is turned on. Do not look directly at lit bulb.**
- **Keep flammable materials away from lit bulb.**

WARNING:

- This lighting fixture contains lead, a chemical know to the State of California to cause cancer, birth defects and other reproductive harm. Wash hands after installing, handling, cleaning or otherwise touching this light fixture.

Pre-assembly:

- For your safety and convenience, assembly by two people is recommended.
- Remove all parts and hardware from box along with any plastic protective packaging. Do not discard any contents until after assembly is complete to avoid accidentally discarding small parts or hardware.

Parts Enclosed:

- (1) Shade Ring ridged (A)
- (1) Metal Ring flat (B)
- (1) Glass Shade (C)
- (1) Socket (D)
- (2) Plate Screws (E)
- (1) Mounting Plate (F)
- (1) Green Ground Screw (G)
- (1) Socket Cup (H)
- (1) Back Plate (I)

Hardware included:

- (3) Plastic Wire Connectors (a)
----include (1) extra screws.
- (3) Mounting Screws (b)
----include (1) extra screws.

To install you will need:

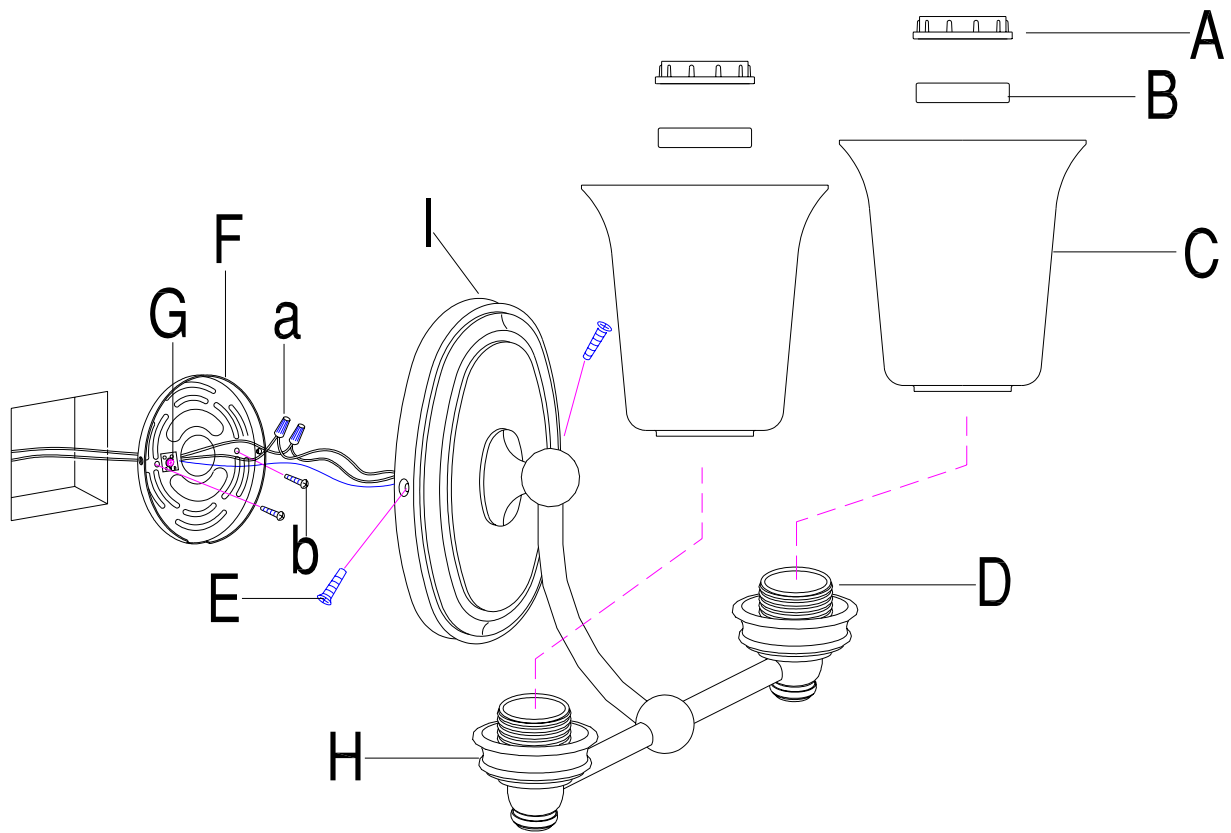
- Screwdriver
- Electrical tape
- Wire cutters

To Assemble:

1. SHUT OFF THE MAIN ELECTRICAL SUPPLY FROM THE MAIN FUSE BOX/CIRCUIT BREAKER
2. Carefully unpack all fixture parts and hardware and lay out on a clear workspace.
3. Gently pull the wiring from the outlet box and allow wires to hang. Thread the wires through the center hole on the Mounting Plate (F).
4. Carefully inspect the fixture's wires. The NEUTRAL FIXTURE WIRE is white. The HOT FIXTURE WIRE is black. The bare copper wire is the GROUND WIRE.
5. Attach the GROUND WIRE from the fixture to the GROUND JUNCTION BOX WIRE from the outlet box (usually green or bare wire). Fasten each together with a Plastic Wire Connector (a) and wrap the connection with electrical tape. Be sure that no wire strands are exposed. If your outlet box DOES NOT have a GROUND WIRE, be sure to insert the Green Ground Screw (G) into the Mounting Plate (F) and wrap the fixture's bare ground wire around the ground screw.
IT IS IMPERATIVE THAT THE OUTLET BOX IN YOUR HOME BE PROPERLY GROUNDED!
6. Connect the NEUTRAL FIXTURE WIRE to the NETURAL JUNCTION BOX WIRE (usually white). Fasten each together with a Plastic Wire Connector (a) and wrap the connection with electrical tape. Be sure that no wire strands are exposed.
7. Connect the HOT WIRE to the HOT JUNCTION BOX WIRE (usually black). Fasten each together with a Plastic Wire Connector (a) and wrap the connection with electrical tape. Be sure that no wire strands are exposed.
DO NOT REVERSE THE HOT AND NEUTRAL CONNECTIONS OR SAFETY WILL BE COMPROMISED.
8. Remove the Mounting Plate (F) from the Back plate (I) by turning the Plate Screws (E) counterclockwise with a screwdriver.
9. Attach the Mounting Plate (F) to the outlet box using the enclosed Mounting Screws (b). Tighten screws with a screwdriver.
10. Attach the Back Plate (I) to the affixed Mounting Plate (F), align the pre-drilled holes in the Mounting Plates (F) with the pre-drilled holes in the back plate, secure the back plate using the Plate Screws (E) and tighten with a screwdriver.
11. Unscrew the Shade ring (A) from the socket and take out the Metal ring (B).
12. Put the appointment Glass Shade (C) through the Socket (D) and sit on the socket cup (H)
13. Put back the Metal ring (B) onto the socket and screw back the Shade ring (A) to secure the glass shade. DON'T TIGHTEN THE SHADE RING TOO HARD AS IT MAY BREAK THE GLASS SHADE.
14. Insert **(2) 60-watt Type A bulb** (not included) into the Socket (D). DO NOT EXCEED SPECIFIED WATTAGE.
15. Restore power to junction box and test fixture.
16. Assembly is completed.

Care Instructions:

- Wipe clean using a soft, dry cloth or static duster.
- Always avoid using harsh chemicals and abrasives to clean fixture as they may damage the finish.



thank you for your purchase
 stores | catalog | www.potterybarn.com