

POTTERY BARN

Sonoma Recessed Medicine Cabinet – Regular and Extra Large

Note: Professional Installation Required

Important Safety Instructions:

- Please read all instructions carefully before assembling. For your safety, assembly by two people is recommended.
- The maximum individual shelf weight capacity is 20lbs (9kgs). Do not exceed the load capacity.

Parts Included:

- (A) Cabinet (1pc)
- (B) Glass Shelf (4 pcs)

Tools required (not included):

- Phillips Head Screwdriver
- Pencil

Hardware Included:



(C) L-Shape Peg (16 pcs)



(D) Mounting Screw (4 pcs)



(E) Rubber Sheet (2 pcs)

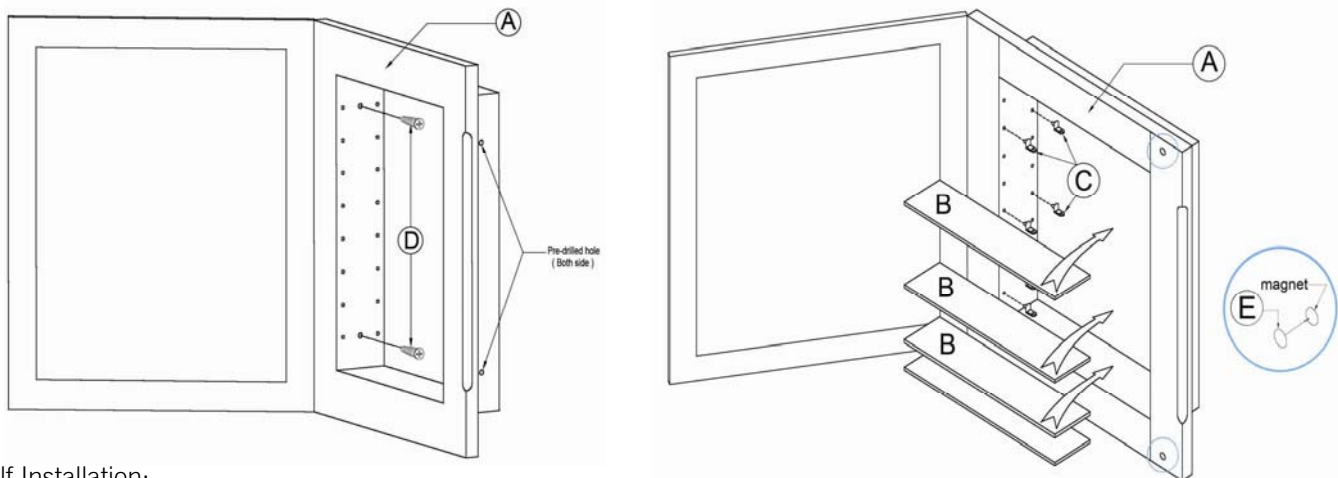
Pre-Assembly:

- Remove all parts from the box and lay out on a clear carpeted or scratch-free work surface. (The shipping box provides an ideal work surface). This will avoid damaging any parts during assembly. Do not dispose of any contents until assembly is complete to avoid accidentally discarding small parts. Use the parts lists above to identify and separate each of the pieces included.
- Contact your local hardware store to determine the proper mounting hardware needed for your wall type.
- Keep all parts and plastic bags out of the reach of children.

Professional Mounting Instructions:

1. After measuring the recessed portion of cabinet, make a cut out in the wall measuring 476mm W x 90mm D x 595mm H (approximately 18.75"W x 3.625"D x 23. 5"H) for Regular size Recessed Cabinet or 476mm W x 90mm D x 780mm H (approximately 18.75"W x 3.625"D x 30.75"H) for Extra Large size Recessed Cabinet.
2. Place the Cabinet (A) into the wall. With a pencil, mark the location of the 4 mounting screw (D) holes. Use a carpenter's level to ensure that the cabinet will be level.
3. Insert mounting screws (D) through the holes on the side panels of the cabinet (A). Using a Phillips Head Screwdriver, screw the mounting screws into the wall stud or wood support structure.

Note: Cabinet can be rotated to adjust door opening direction.



Shelf Installation:

Insert the L-shape Peg (C) into the pre-drilled holes on the interior side of the Cabinet (A) at desired level. Carefully insert the Glass Shelves (B) into the cabinet. Gently rest the shelves onto the shelf pegs.

Optional: Attach the Rubber Sheet (E) into the magnet in the Cabinet.

Care Instructions:

- Wipe cabinet with a soft, dry cloth.
- To protect the finish, avoid the use of all chemical and household cleaners and abrasives as they may damage finish.