

P O T T E R Y B A R N

Tara Headboard Assembly Instructions

Pre-assembly:

- Please read all instructions before assembly.
- For your safety, assembly by two people is recommended. Save all packing materials until assembly is complete to avoid accidentally discarding any small parts or hardware.

Parts included:

- (1) Headboard

Needed for assembly: (not included)

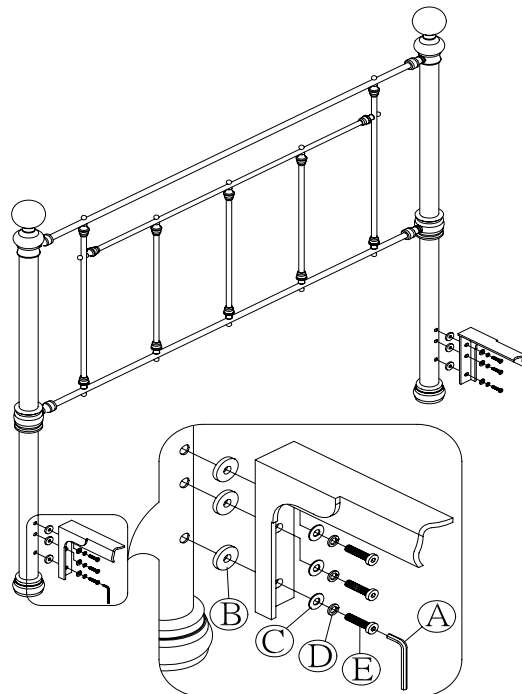
- Assembled bed frame

Hardware List:

- (1) Allen key: 4mm – A
- (6) Rubber washer: 24mm – B
- (6) Flat washers: 6mm - C
- (6) Lock washers: 6mm – D
- (6) Bolts: 6mm x 25mm – E

Assembly instructions:

1. Determine desired location of headboard. One person should hold the headboard in a vertical position tilted slightly forward.
2. Attach bed frame (not include) to headboard by aligning the holes on headboard to the holes in the faceplates of the bed frame. Please note: Bed frame faceplates are for illustrative purposes only. Actual design of faceplates may vary.
3. Secure the bed frame to the headboard using bolts (E) and washers (B, C, D) as illustrated. Tighten the bolts with Allen Key (A). Assembly is complete.



Care Instructions: Dust with a soft dry or slightly damp cloth. Avoid the use of cleaners and polishes.

thank you for your purchase

stores | catalog | www.potterybarn.com