

P O T T E R Y B A R N

Wood/Metal Triple Sconce

Assembly Instructions

Important Safety Instructions:

- These instructions are provided for your safety. It is important that they are read carefully and completely before installing the sconce.
- We strongly recommend that a professional electrician install all direct wire fixtures.
- This fixture has been rated for up to (3) 60-watt TYPE B bulbs (not included). To avoid the risk of fire, do not exceed the recommended wattage.

WARNING: This lighting fixture contains lead, a chemical known to the State of California to cause cancer, birth defects and other reproductive harm. Wash hands after installing, handling, cleaning or otherwise touching this light fixture.

Pre-assembly:

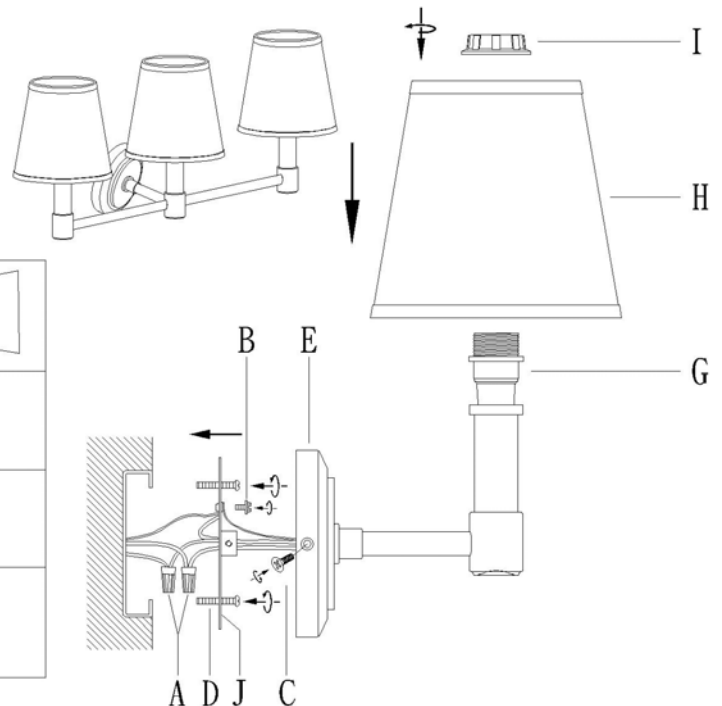
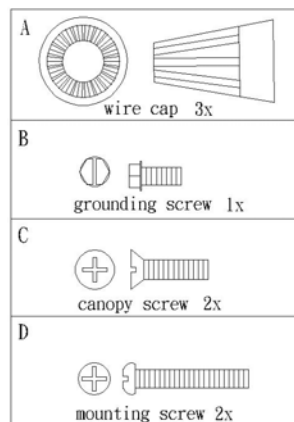
- Remove all parts and hardware from box along with any plastic protective packaging. Do not discard any contents until after assembly is complete to avoid accidentally discarding small parts or hardware.
- For your safety and convenience, assembly by two people is recommended.

Parts Enclosed:

- (1) Mounting plate (J)
- (1) Canopy (E)
- (3) Fabric Shade (H)
- (3) Lamp socket (G)
- (3) Socket Ring (I)

Hardware Included:

- (3) Wire Cap (A)
- (1) Green ground screw (B)
- (2) Canopy screws (C)
- (2) Mounting screws (D)



To install you will need:

- Electrical tape
- Screwdriver

To Assemble:

1. SHUT OFF THE MAIN ELECTRICAL SUPPLY FROM THE MAIN FUSE BOX/CIRCUIT BREAKER.
2. Carefully unpack all fixture parts and hardware and lay out on a clear workspace.
3. Unscrew the Socket ring(I) from the lamp socket.
4. Place the Fabric shade (H) onto the Lamp socket (G)
5. Screw the Socket Ring (I) onto lamp socket to secure the Fabric shade.
6. Carefully inspect the chandelier's fixture wires. The NEUTRAL FIXTURE WIRE is white or marked "N". The HOT FIXTURE WIRE is black or marked "L". The yellow-green or bare wire is the GROUND WIRE.
7. Attach the GROUND WIRE from the fixture to the GROUND JUNCTION BOX WIRE from the outlet (usually green or bare wire). Fasten each together with a plastic Wire connector (A) and wrap the connection with electrical tape. Be sure that no wire strands are exposed. If your outlet box DOES NOT have a GROUND WIRE, be sure to insert the green Ground screw (B) into the mounting plate (J) facing DOWN, and wrap the fixture's bare ground wire around the ground screw. IT IS IMPERATIVE THAT THE OUTLET BOX IN YOUR HOME BE PROPERLY GROUNDED.
8. Connect the NEUTRAL FIXTURE WIRE to the NEUTRAL JUNCTION BOX WIRE (white). Fasten each together with a plastic wire connector (A) and wrap the connection with electrical tape. Be sure no wire strands are exposed.
9. Connect the HOT FIXTURE WIRE to the HOT JUNCTION BOX WIRE (black). Fasten each together with a plastic wire connector (A) and wrap the connection with electrical tape. Be sure no wire strands are exposed. DO NOT REVERSE THE HOT AND NEUTRAL CONNECTIONS OR SAFETY WILL BE COMPROMISED.
10. Gently tuck the wire connections neatly into the ceiling junction box.
11. Attach the mounting plate (J) to the outlet box using the enclosed mounting screws (D). Tighten screws with a screwdriver.
12. Pull canopy (E) up over the mounting plate (J), align the hole in the mounting plate with the hole in the canopy.
13. Secure Canopy screws (C) and tighten with a screwdriver.

Completing the Assembly:

1. Insert (3) 60-watt Type B bulbs (not included) into the socket . DO NOT EXCEED SPECIFIED WATTAGE.
2. Restore power to junction box and test fixture.
3. Assembly is complete.

Care Instructions:

- Wipe clean using a soft, dry cloth or static duster.
- Avoid the use of harsh chemicals and abrasives to clean fixture as they may damage the finish.

thank you for your purchase
stores | catalog | www.potterybarn.com