




# P O T T E R Y B A R N

## New Metropolitan Round Table Assembly Instructions




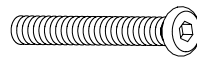

### Pre-Assembly:

- Please read all instructions before beginning assembly.
- Remove all parts and hardware from packaging and compare with parts and hardware listed. Do not discard any contents until the assembly is completed.

### Parts Enclosed:

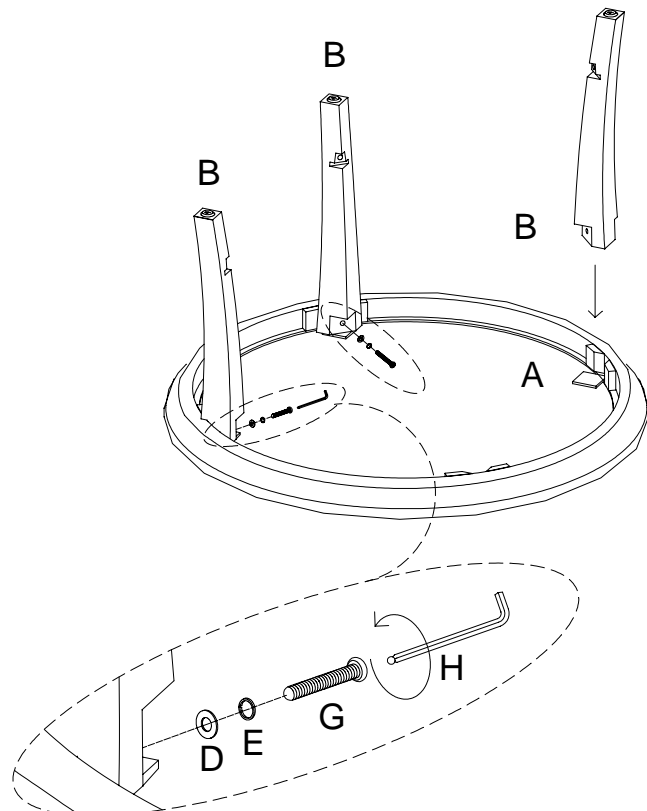
(1) Top Part - A	(4) Leg - B	(1) Shelf - C
	 Packed in two inner boxes	

### Hardware Included:

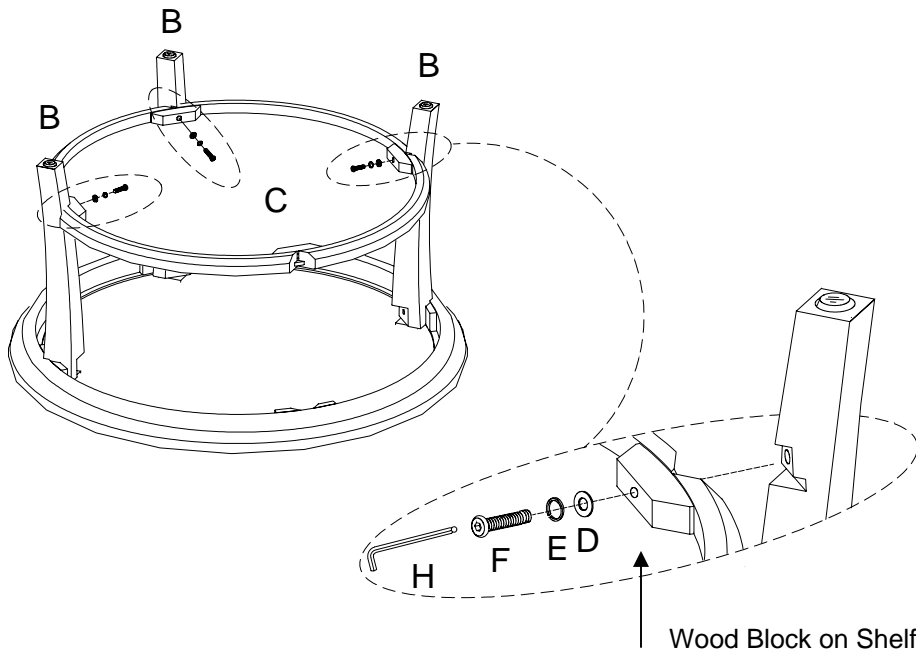
(8) Flat Washers - D	(8) Lock Washers - E	(4) Short Allen Bolts - F 1/4" x 45 mm
		
(4) Long Allen Bolts - G 1/4" x 65 mm	(1) Allen Key - H	
		

### Assembly Instructions:

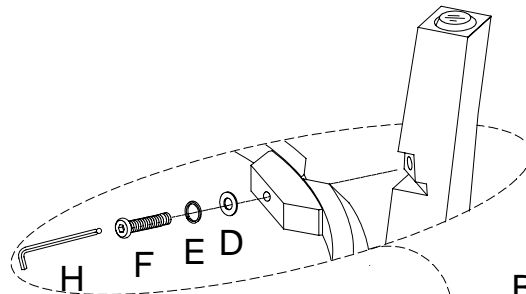
1. Lay the Top Part (A) upside down on a carpet or on the foam in shipping box. Attach 3 Legs (B) to Top Part (A) by inserting into the braces. Secure with Flat Washer (D), Lock Washer (E), Long Allen Bolt (G) by Allen Key (H). Do not tighten the bolts



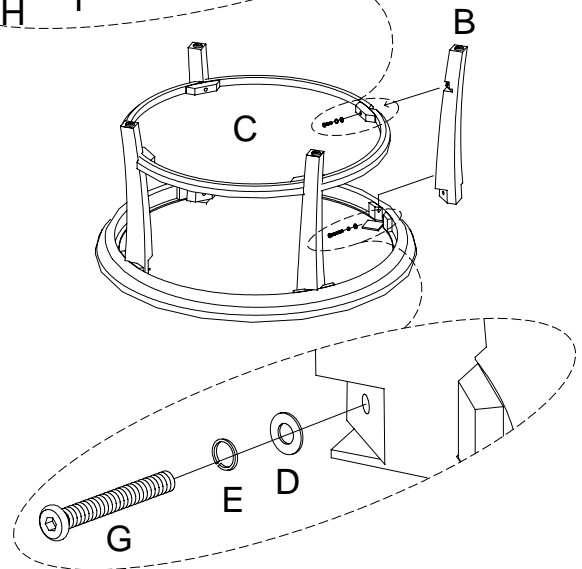
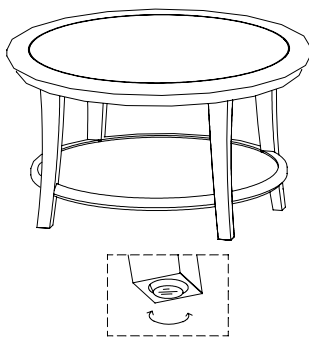
- Attach Shelf (C) to 3 assembly legs by inserting the shelf into the cut in on leg. Align the wood block pre-attached on shelf with the leg. Secure with Flat Washer (D), Lock Washer (E), Short Allen Bolt (F) by Allen Key (H). Do not tighten the bolts



- Attach the remaining Leg (B) to the Shelf (C) and Top Part (A). Secure with Flat Washer (D), Lock Washer (E), Short Allen Bolt (F) at the Shelf and Long Allen Bolt (G) at the Top Part by Allen Key (H). Make sure the parts are fit then tighten all bolts



- Turn the table upright. If need, adjust the pre-attached levelers under legs to make the table sit level.



- Assembly is completed

#### Care Instructions:

- For daily cleaning, wipe with a soft damp cloth; Wipe dry immediately.
- To protect the finish, avoid the use of chemicals and harsh cleaning agents.

thank you for your purchase  
stores | catalog | [www.potterybarn.com](http://www.potterybarn.com)