

POTTERY BARN

Hyde Occasional Coffee Table with straight leg Assembly Instructions

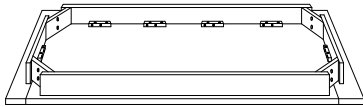
- Please read all instructions before beginning assembly.
- For your safety and convenience, assembly by two people is recommended.
- Use the parts and hardware lists to identify and separate each of the components included.
- Save all packing materials until assembly is complete to avoid the accidental discarding of smaller parts or hardware.

TOOLS:

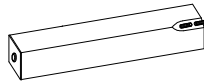


(1) Wrench 3/8"

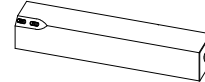
PARTS:



(1) Top and with Apron – A



(2) Left leg with bolts installed– B



(2) Right leg with bolts installed –C

HARDWARE:



(8) Nuts (3/8" Dia) -a



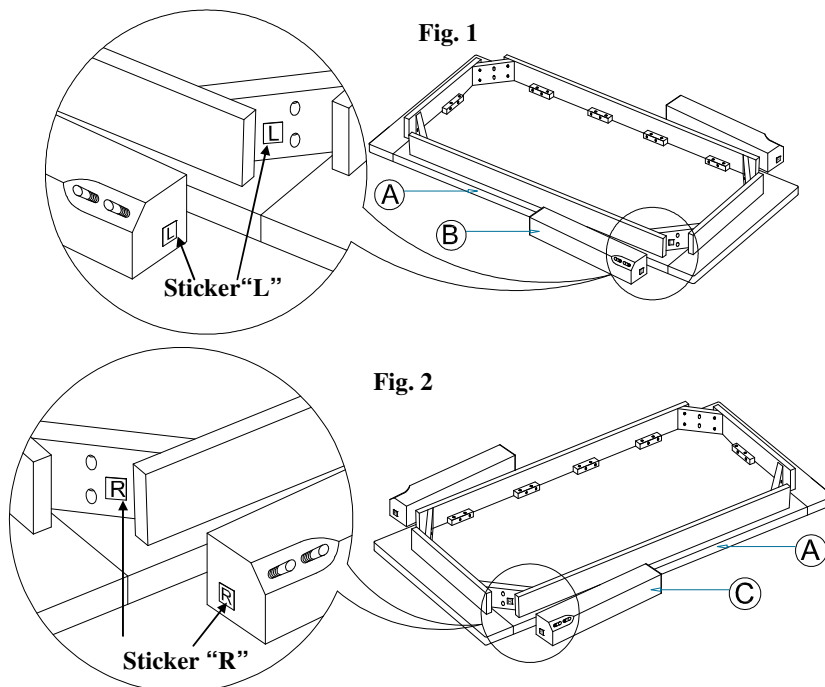
(8) Spring Washers (3/8" Dia) –b

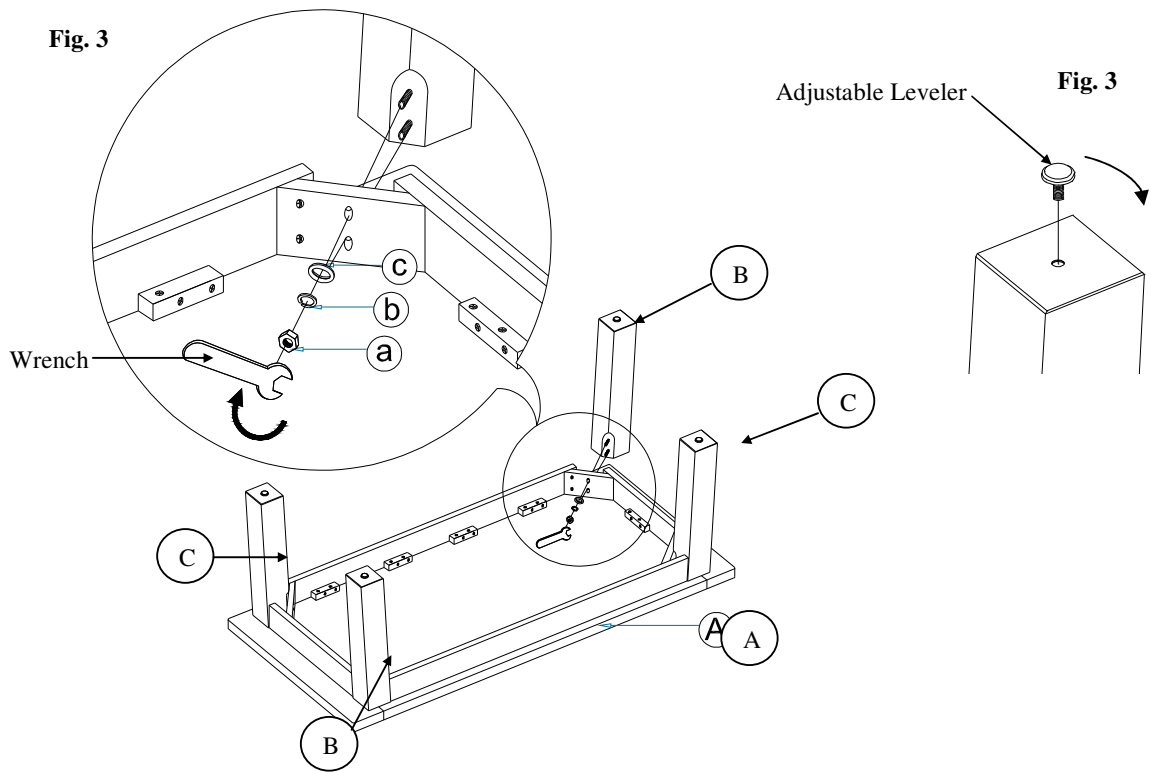


(8) Flat Washers (3/8") -c

Assembly Instructions:

1. Carefully turn the Top with Apron (A) upside down on a carpet or scratch-free surface.
2. Attach left leg (B) to the corner brace on the table top (A) following the sticker with "L" on the corner brace of table top(A) and the left leg (B) and using Nut (a) with flat washer (c) and spring washer (b) as shown in See **Fig. 1** and **Fig. 3**. Carefully tighten all nuts with wrench, but do not over tighten the nuts. Repeat the process with the other left leg (B).
3. Attach right leg (C) to the corner brace on the table top (A) following the sticker with "R" on the corner brace of table top(A) and the right leg (C) and using Nut (a) with flat washer (c) and spring washer (b) as shown in See **Fig. 2** and **Fig. 3**. Carefully tighten all nuts with wrench, but do not over tighten the nuts. Repeat the process with the other right leg (C).





4. Grip the assembled table firmly at each end and carefully turn the assembled table to the upright position.
5. Assembly is complete.

Adjusting Levelers:

Due to an uneven floor the furniture may not sit level due causing it to wobbles. If the piece wobbles, determine which corner does not touch the ground correctly. With two people follow these steps:

1. Carefully lift the item slightly to provide access to the levelers attached to the bottom. (**Fig.3**).
2. Turn the levelers until adequate contact will be made with the floor. Gently set down the piece and check stability.
3. Repeat steps until furniture sits firmly on the ground.

Care Instructions:

- Dust with a clean, soft damp cloth and wipe dry immediately.
- Avoid the use of chemicals and harsh cleaning agents.