

POTTERY BARN

Display Wall Double Cube Mounting instructions

Tools: Level, Philips Screwdriver, Stud-Finder

Hardware: (16) Allen Screws, (1) Allen Key
(4) Snap Screw (4) Screws

The hardware included with this item is meant for drywall or stud mounting only. If your walls are made from concrete, brick or plaster, please consult your local hardware store for assistance in selecting the appropriate hardware.

Parts Included: (2) Wooden Shelf (A & B)
(1) Wooden Plank (C)
(2) Metal Square Frame (D & E)
(2) Metal Strip (F & G)

Max.Load – Maximum total weight capacity for this product is 80 pounds (36.2Kg).

This item includes four mounting through-holes, which are used to receive screws for mounting the item to the wall.

Assembly Instruction:

Step 1: Place wooden shelf (A) vertically on the floor as per the illustration and insert wooden plank (C) into the groove of wooden shelf (A) such that its allen screw holes matches to the through holes. Insert allen screws and tight with the help of allen key provided.

Step 2: Now, place the shelf on the floor horizontally as per the illustration so that through holes of wooden shelf (B) matches to the allen screws holes of wooden plank(C), Insert allen screws and tight with the help of allen key provided.

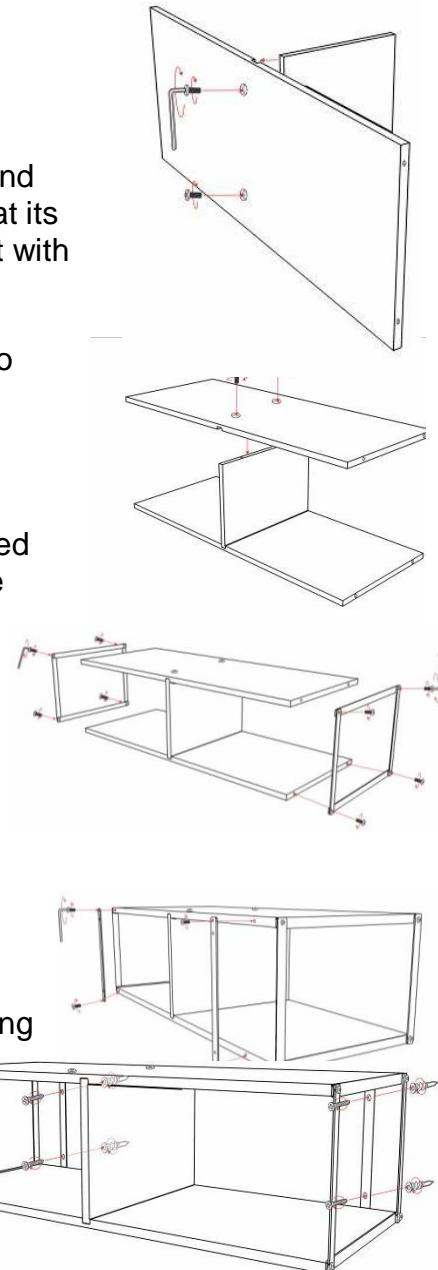
Step 3: Now, place the metal square frame (D) at the end of the both attached shelves (A & B) as per the illustration, such that its four holes matches to the through holes of square frame (D) insert allen screw and tight with the help of allen key provided.

Step 4: Similarly, attach metal square frame (E) at the other end and follow steps 3.

Step 5: Now, attach Metal Strip (F & G) at the back of the shelves as per illustration insert allen screw and tight with the help of allen key provided.

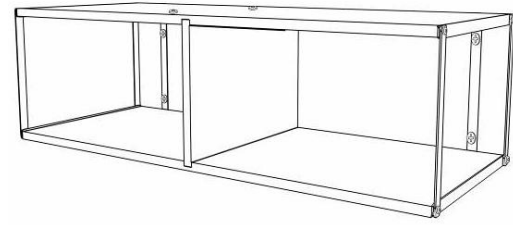
Mounting Instructions:

- 1) Hold the item upright and level against a wall at the desired mounting location. Use one of the provided screws to mark the wall through each through-hole and then set the item aside.
- 2) If either of the four marks of Step (1) aligns with a wall stud (use a stud-finder to determine this), use a screwdriver to



secure a screw at this mark directly into the wall and stud when instructed to do so below. Do not use a provided anchor at this stud location because the anchor cannot penetrate wood.

- 3) For each mark that does not align with a stud, use a Phillips screwdriver to install an anchor into the wall. To do this, position the tip of the anchor against the wall at the mark and then firmly push the anchor into the wall as you rotate it clockwise. The anchor is designed to drive itself into the wall as it is rotated. Continue rotating the anchor until the wide end becomes even with the surface of the wall.
- 4) With the help of another person, hold the item upright and against the wall so that the four through holes align with either a stud-aligned mark or an installed anchor. Use a screwdriver to secure a provided screw through each through hole and into the wall or an installed anchor. Rotate the screw clockwise until tight.
- 5) Installation complete!



Care Instructions:

To clean: Wipe with a soft, dry cloth.

Do not use any abrasive or strong-chemical household cleaners.

Thank you for your purchase
Stores | catalog | www.potterybarn.com