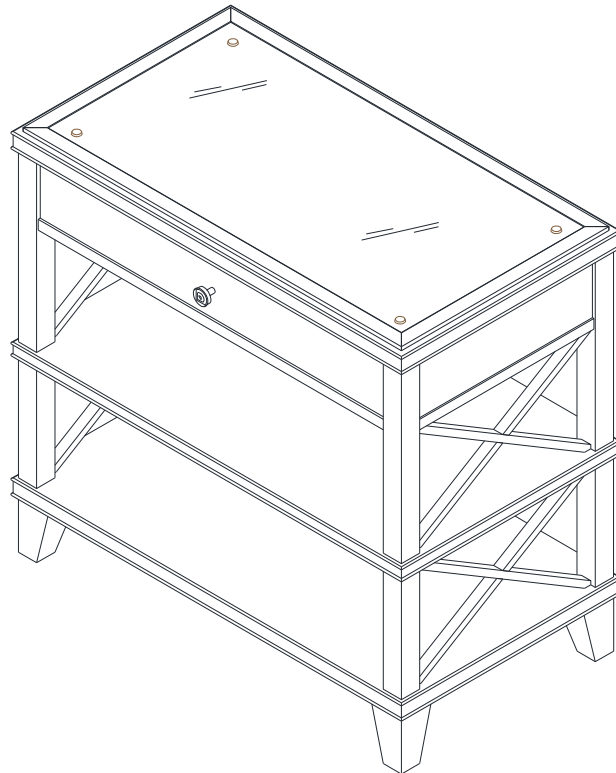


POTTERYBARN

LATTICE BEDSIDE WIDE

ASSEMBLY INSTRUCTIONS



Date: 2013-Aug-02

Rev:

www.potterybarn.com

Important Safety Instructions:

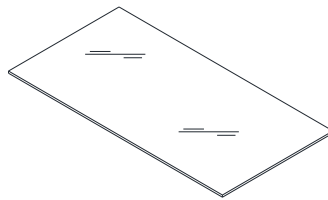
- Please read all instructions carefully before assembling this bedside.
- For your safety, assembly by two or more adults is strongly recommended.
- Keep these instructions for future use.
- Use only vendor-supplied hardware to assemble this item. Using unauthorized hardware could jeopardize the structural integrity of the item.

Pre-assembly:

- Remove all parts and hardware from the box. Place all items on a carpeted or scratch-free work surface, as this will avoid damaging parts during assembly. The shipping box provides an ideal work surface.
- To avoid accidentally discarding small parts or hardware, do not dispose of any packaging or contents of the shipping carton until assembly is complete.
- Use the parts and hardware lists below to identify and separate each of the pieces included.
- The illustrations provided allow for easier assembly when used in conjunction with the assembly instructions.
- The use of power tools to aid in assembly is not recommended. Power tools can damage the hardware and split the wood.

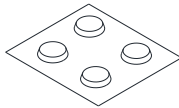
Parts Included:

Glass Top – 1x



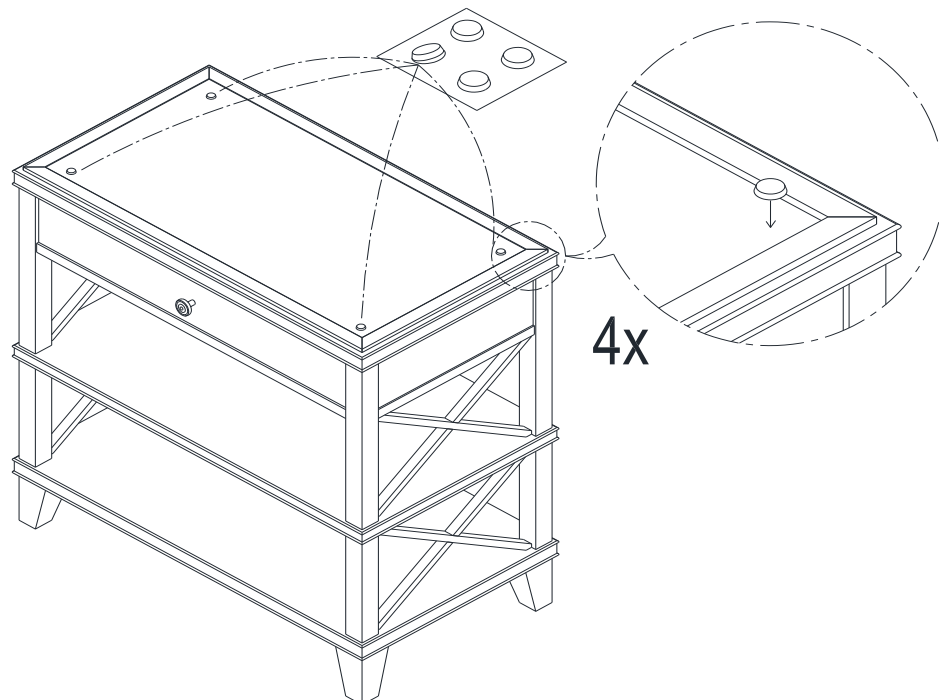
Hardware Included:

Plastic Shim – 4x

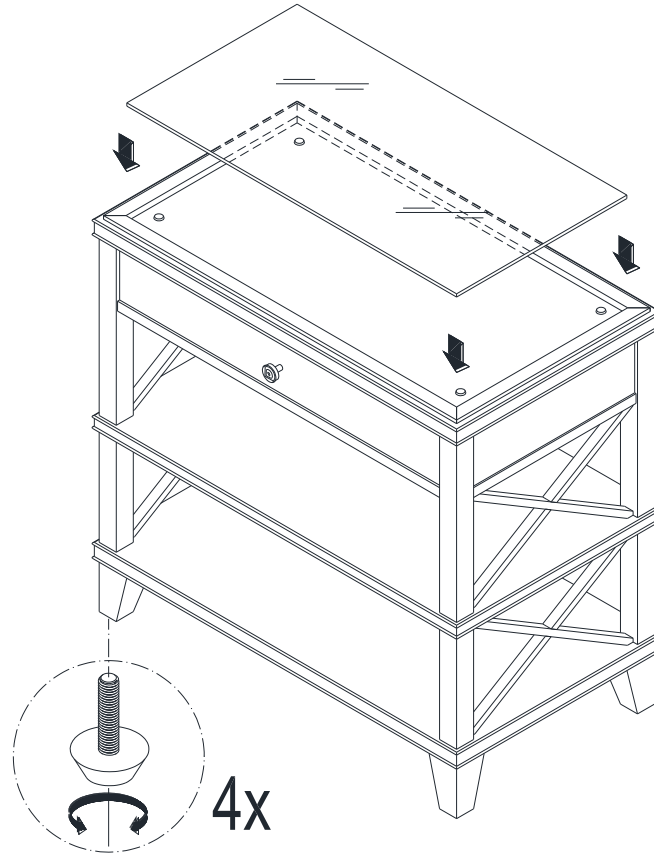


Assembly Instruction Steps:

1. Remove the 4 Plastic Shims from the paper holder and stick them onto the 4 inner frame corners of the bedside top, as seen in the illustration below.



- Carefully place and align the Glass Top onto the bedside top frame, as seen in the illustration below.
- If the bedside does not sit level, adjust the levelers found under the legs.



- Assembly is complete

Care Instructions:

- Dust often using a clean, soft, dry, and lint-free cloth.
- Blot spills immediately and wipe with a clean, damp cloth.
- We do not recommend the use of chemical cleansers, abrasives, or furniture polish on our lacquered finish.
- Hardware may loosen over time. Periodically check to make sure all connections are tight. Re-tighten if necessary.

Thank you for your purchase
Stores | catalog | www.potterybarn.com