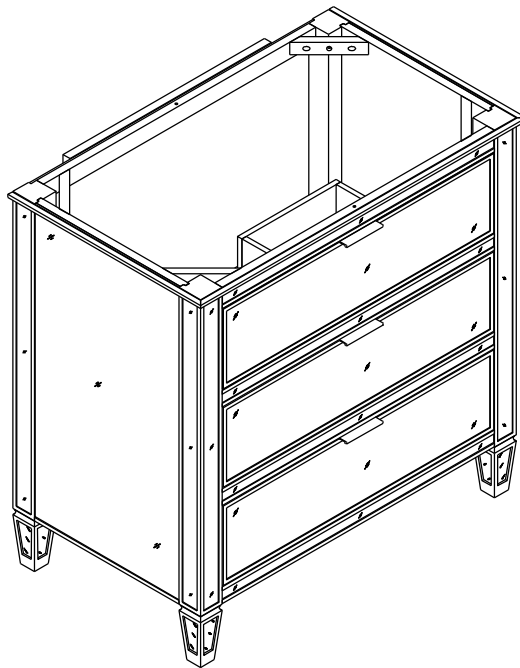


POTTERYBARN

Park Mirrored Console

ASSEMBLY INSTRUCTIONS



Date: 2014-June.-7

Rev:

www.potterybarn.com

IMPORTANT SAFETY INSTRUCTIONS:

- Please read all instruction carefully before assembling.
- For your safety, assembly by two or more adults is strongly recommended.
- Keep instructions for future use.
- Use only vendor supplied hardware to assembly. Using unauthorized hardware could jeopardize the structural integrity of the item.

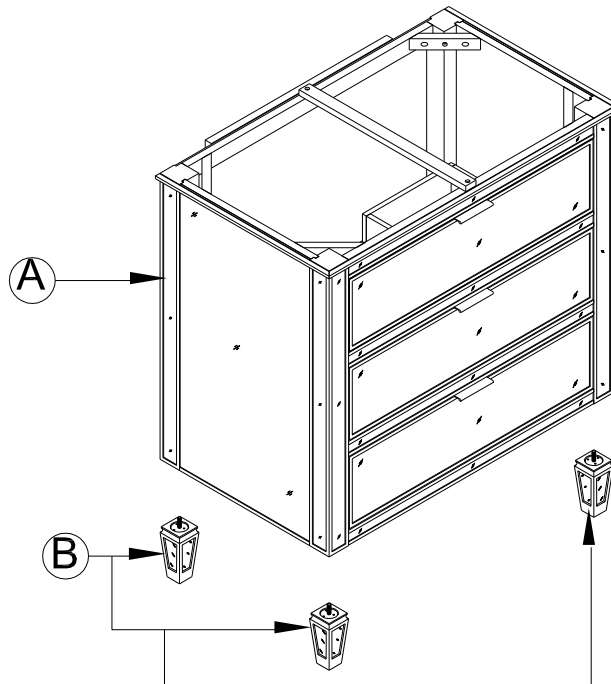
PRE- ASSEMBLY:

- Remove all parts and hardware from the box and place them on a carpeted or scratch-free work surface. The shipping box provides an ideal work surface.
- To avoid accidentally discarding small parts or hardware, please do not dispose of any contents until assembly is complete.
- Two people are recommended for your safety and ease of assembly.
- Prior to starting assembly, use the parts and hardware lists to identify and separate each of the pieces included.
- The illustrations provided allow for easier assembly when used in conjunction with the assembly instructions.
- Note: Do not fully tighten any bolts until all parts are in place. Failure to follow these instructions may cause the bolts to misalign during assembly.
- Please use caution if using power tools to aid in assembly. Power tools can damage hardware or split the wood.

PARTS INCLUDED:

A – Console Top (x1)

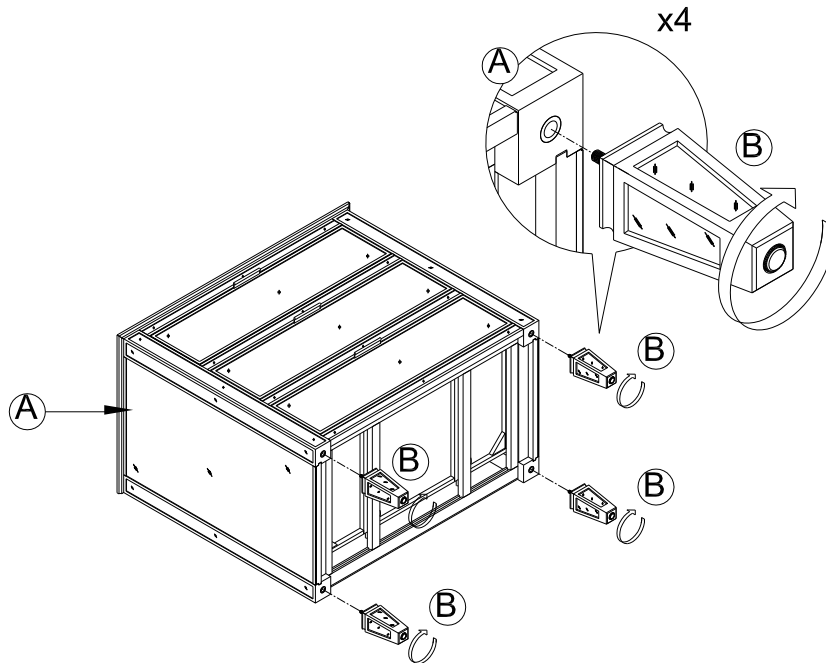
B – Leg (x4)



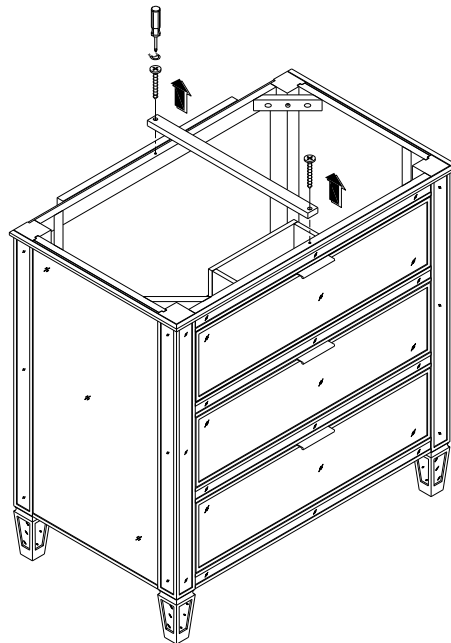
ASSEMBLY INSTRUCTION STEPS:

1. Carefully place the Console Top (A) down on a soft scratch free surface such as carpet or foam in a shipping box.
2. Attach the 4 legs (B) to the Console Top (A) by inserting the bolt of the leg to the hole of the Console Top bottom post as seen in the illustration below.
3. Turn the leg clockwise to tighten.

Note: Do not over tighten.

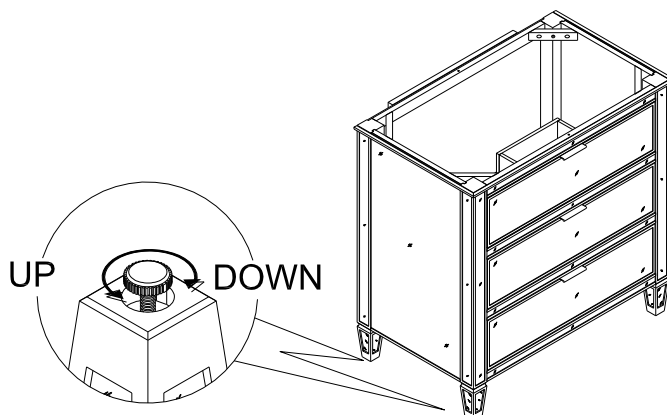


4. Turn the Console upright, making sure to hold the drawer so it does not fall out.



5. Before placing the Console Top Frame on top the Console Top (A), please remove the Screws (2pcs) from the Center Stability Support Rail and remove the Support Rail away as well. As seen in the illustration above.

6. If the Dresser doesn't sit level, adjust the levelers underneath the legs.



7. Assembly is complete.

Care Instructions:

- Dust often using a clean, soft, dry and lint-free cloth.
- Blot spills immediately and wipe with a clean, damp, cloth.
- We do not recommend the use of chemical cleansers, abrasives or furniture polish on our lacquered finish.
- Hardware may loosen over time. Periodically check to make sure all connections are tight.
Re-tighten if necessary.

Thank you for your purchase
Stores | catalog | www.potterybarn.com