

# POTTERY BARN

Willem Pine Sink Console Dbl

Assembly instructions

VANITY TOP

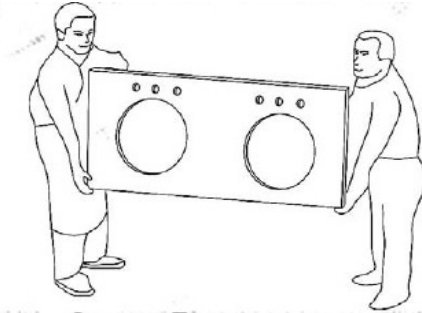
Handling Instructions

**CAUTION:**

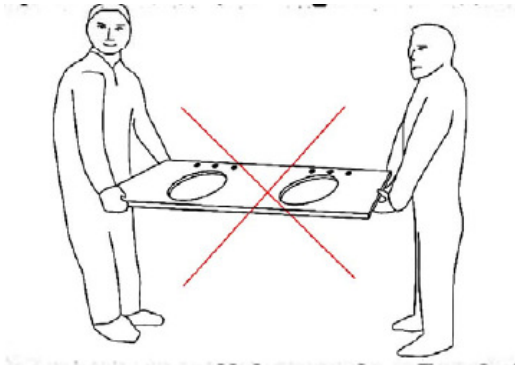
Keep natural stone materials in its packaging until installation and store on its edge.

When removing natural stone product from its package, always ensure it is removed vertically on its long edge.

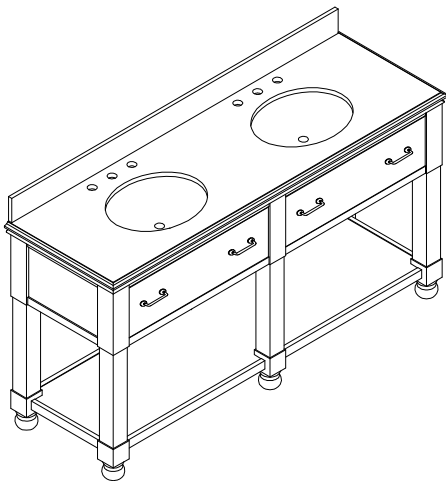
\*Always carry natural stone product vertically on its long edge.



\*Carrying natural stone flat WILL cause them to crack or break.



\* Place top as close as possible to the final desired location.



**NOTE: Avoid moving the top after it has been set into place**

**PROFESSIONAL INSTALLATION REQUIRED- Contractor and Plumber needed for Installation**

**Important Note: Please read all instructions carefully and completely before beginning assembly.**

**Pre-Installation:**

- **Remove all parts and hardware from boxes along with any protective packaging. Identify each part and each piece of hardware included. Do not discard any contents until after installation is complete to avoid accidentally discarding small parts or hardware. Keep all parts out of the reach of children.**
- **A standard 8" spread faucet should be used with this Marble top console.**

**Note:** The Marble top is fragile. In order to preserve its integrity, it is important to limit the amount of handling it gets. Due to the nature of this natural material, slight chipping or cracking may result with excessive handling or if placed on a hard surface.

The Marble top, even when it is still packed, should never lie flat, except for when it is placed on top of the console or during unpacking. Please note that arrows on the package indicate the side to be placed up while storing.

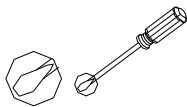
Marble should be unpacked with extreme care. Once unpacked, the marble top should be placed directly on top of the console. If placing down, marble top should only be placed on its end and on a very soft, cushioned surface such as a rug or thick toweling.

**Note:** Consoles need to be leveled and mounted to both wall and floor. Some hardware items needed for proper assembly and installation are not included: ex. shim, spacer, high quality silicone or acrylic based bath sealant, etc.

**DO NOT USE PLUMBERS PUTTY OR ANY OIL BASED SEALANT AS THIS WILL STAIN THE MARBLE.**

**Note:** Some cutting and drilling may be necessary to mount console base to wall or to shape shelves for undersink hardware or plumbing.

**Tools Required (Not included):**

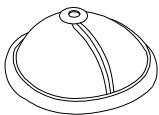


Flat Head Screwdriver

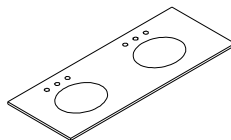


Open wrench

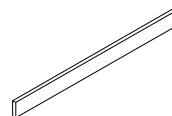
**Parts Included:**



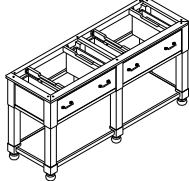
A. Basin (2pcs)



B. Marble countertop (1pc)



C. Back splash (1pc)



D. Console base (1pc)

**Hardware Included:**



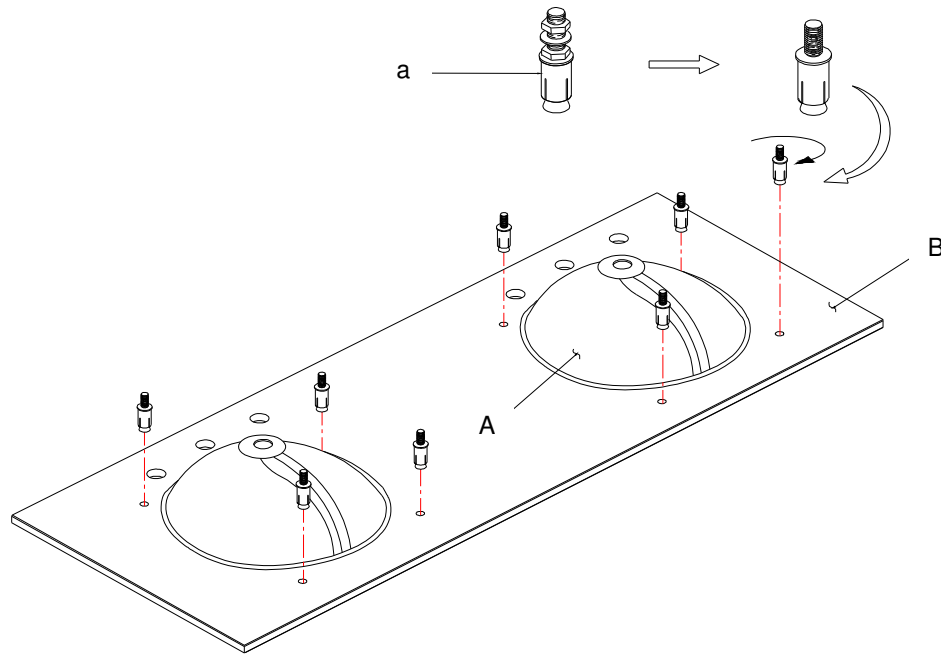
a. Anchor (8pcs)



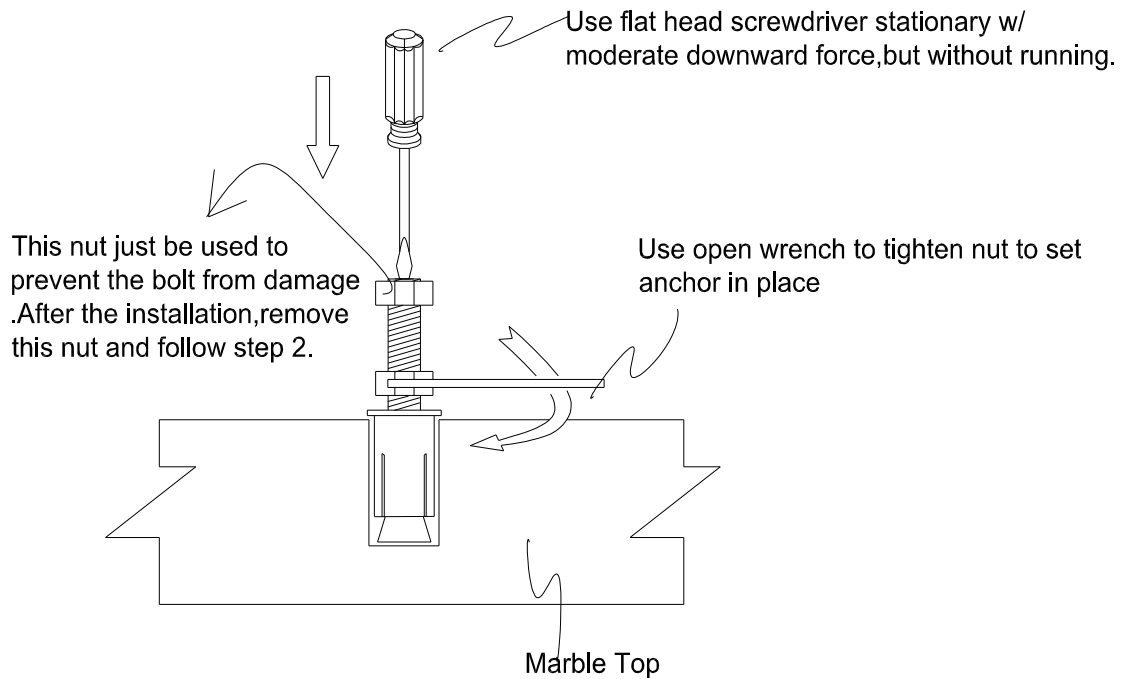
b. L shape bracket (8pcs)

**Step 1:**

Carefully position the marble countertop (B) upside down on foam or soft padding to protect the surface. Position the basin (A) by placing over the marble top cutout. Remove top washer and nut from anchor (a). Carefully set the threadless anchor end into the predrilled holes at backside of countertop. See **Figure 1**.



**Figure 1**



**Step 2:**

Place the L shape brackets (b), top washer and nut in succession through the other end of anchor. Secure by tightening the nut with a wrench. See **Figure 2**

Note: position the basin (A) squarely under the cutout before fixing L shape brackets tightly; don't tighten the brackets at this stage.

Apply a continuous bead of high quality silicone or acrylic based bath sealant to the basin rim where it will contact the countertop

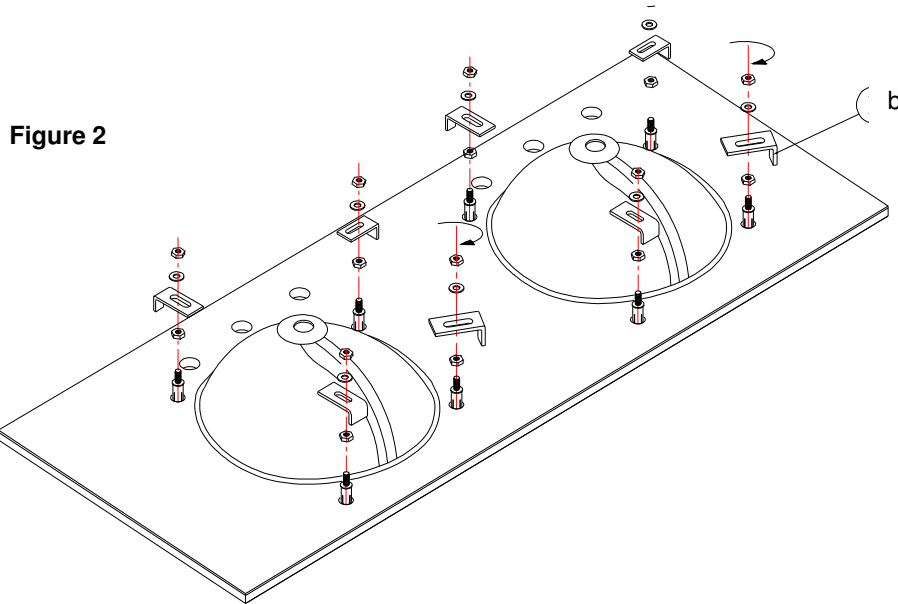
**DO NOT USE PLUMBERS PUTTY OR ANY OIL BASED SEALANT AS THIS WILL STAIN THE MARBLE.**

**Note: Don't use adhesives or adhesive sealants.**

Draw the basin rim up to the countertop until it is snug.

**CAUTION: TO AVOID BREAKAGE, DON'T OVER-TIGHTEN WITH WRENCH.**

Immediately wipe away any excessive sealant.

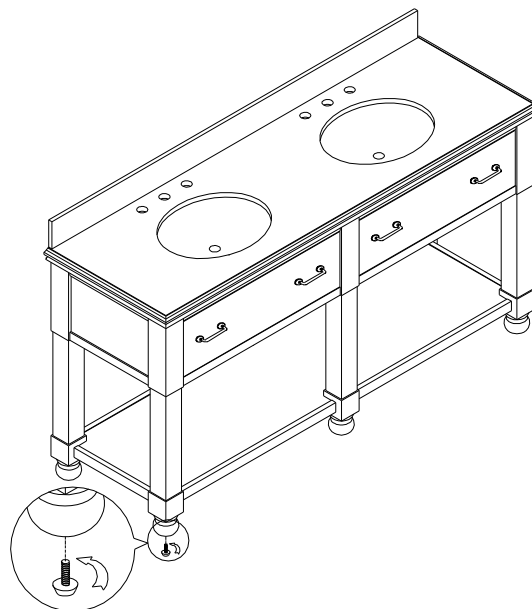


**Figure 2**

Note: Before installing marble top onto console base; console needs to be properly leveled, shimmed (if necessary), and secured to floor and wall as required.

**Leveler adjustment: Levelers are pre-installed on the legs and adjust as needed to make sure the console is level. Turn counter-clockwise to increase height, clockwise to decrease height. See Figure 3**

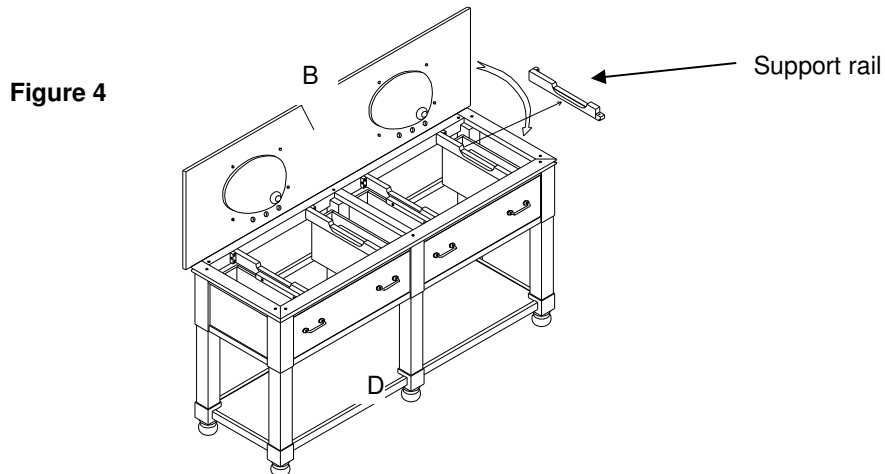
**Figure 3**



**Step 3:**

If needed, mounting blocks need to be centered on the sides and even with the top of the console. Use a dry cloth to wipe off any dirt or dust from the top edge of console, apply high quality silicone or acrylic based bath sealant to top edge of console. **DO NOT USE PLUMBERS PUTTY OR ANY OIL BASED SEALANT AS THIS WILL STAIN THE MARBLE.**

**Carefully** lift up the marble Top (B) with basin attached to place it onto the console base(D). If the Marble Countertop(B) can't be placed flat because of the position of Supporting Rail, then you can readjust the position of Supporting Rail to make sure the marble lies flat. See **Figure 4**



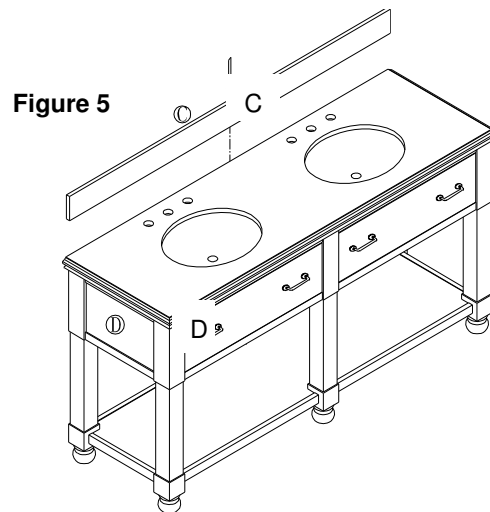
**Caution: For safe handling, 2-3 people are recommended.**

Note: Always carry any natural stone vertically; carrying stone products flat may cause cracking or breakage.

Adjust the basin position to make sure drain holes are right on top of the cutout for drainpipe on the shelf.

Now, secure the basin tightly.

Avoid moving the top after it has been set into place. Allow the top to dry a minimum of 24 hours to allow for proper adhesion to the console. Use high quality silicone or acrylic based bath sealant to install back splash ( C ) in place, clean up any excess immediately with a clean damp rag. **DO NOT USE PLUMBERS PUTTY OR ANY OIL BASED SEALANT AS THIS WILL STAIN THE MARBLE.** Wipe off any excess wax or residue that may have accumulated around sink area. See **Figure 5**



**Caution: Do not allow children to stand on lower shelf or drawer.**

**Console Care:** Wipe cabinet with a soft, dry cloth. To protect the finish, avoid the use of all chemical and household cleaners and abrasives as they may damage finish.

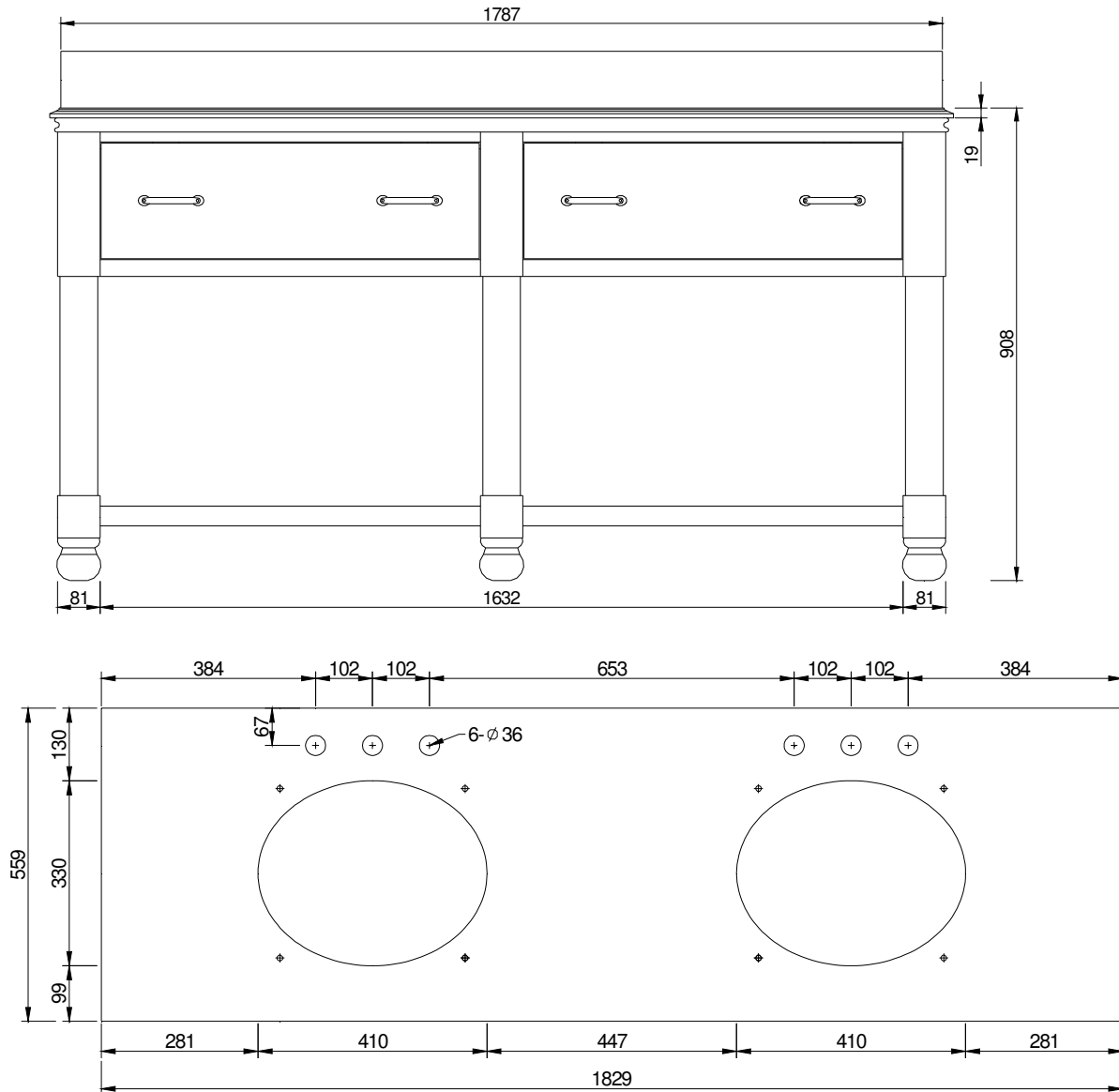
**Marble Care:** Marble is a natural material, the amount of veining and coloration will vary which is part of its inherent beauty.

Marble is sensitive to acid, as it's kind of natural stone, and consists mainly of calcium carbonate; please remove wine or fruit juice immediately from the surface of marble top. We strongly advise to avoid using acidic cleaners.

**To maintain the marble top:**

Consult with a professional at your local home supply store regarding sealer. Re-apply sealer every two years. Clean frequently with a clean soft damp cloth. Use a mild liquid detergent and warm water. Avoid all types of abrasive cleaners and rough cleaning pads. Do not use any products that contain acids on the marble as this can cause the finish to dull. Liquid spills should be cleaned up promptly. Placing protective pads on the bottom of any heavy objects will help prevent scratching of the marble surface. Do not place extremely heavy items on the marble top.

thank you for your purchase  
stores | catalog | [www.potterybarn.com](http://www.potterybarn.com).



- 281mm= from side of marble top to side of first basin
- 486mm= from side of marble top to basin drain hole
- 857mm= from drain hole of first basin to drain hole of second basin
- 447mm= from side of first basin to side of second basin
- 429mm= from front of marble top to basin drain hole
- 99mm= from front of marble top to front of basin
- 130mm= from center of basin drain hole to back of marble top