

P O T T E R Y B A R N

Catalon Bed Assembly Instructions

- Please read all instructions before assembly.
- Save all packing materials until assembly is complete to avoid the accidental discarding of smaller parts or hardware.
- Use the parts and hardware lists to identify and separate each of the components included.
- For your safety, assembly by two people is recommended.

Parts included:

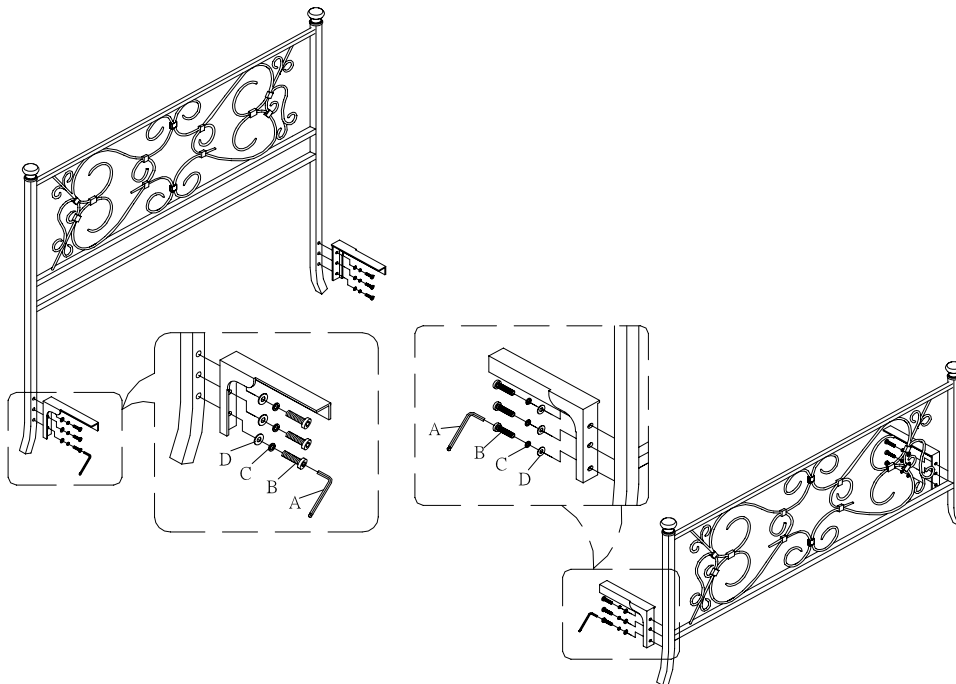
- (1) Headboard
- (1) Footboard
- (1) Bed frame (separate box)

Hardware Enclosed:

- (1) 4mm Allen key (A)
- (12) Bolts - 1/4"x1" (B)
- (12) Lock washers - 1/4" (C)
- (12) Flat washers - 1/4" (D)

Assembly Instructions:

1. Determine the desired location of headboard. One person should hold the headboard in a vertical position tilted slightly forward.
2. Attach bed frame to headboard by aligning the holes on the headboard with the holes in the faceplates of the bed frame. Secure using the bolts (B), lock washers (C) and flat washers (D), tighten with the enclosed Allen key (A). Repeat the same step with the footboard.
3. Periodically tighten all connectors.



Care Instructions:

- Dust with a clean, soft damp cloth and wipe dry immediately.
- Avoid the use of chemicals and harsh cleaning agents.

thank you for your purchase

stores | catalog | www.potterybarn.com