

P O T T E R Y B A R N

Cynthia Chiffonier Assembly Instructions

Pre-Assembly:

- Please read all instructions carefully before beginning assembly.
- Save all packing materials until assembly is complete to avoid accidentally discarding any small parts or hardware.

Parts Included:

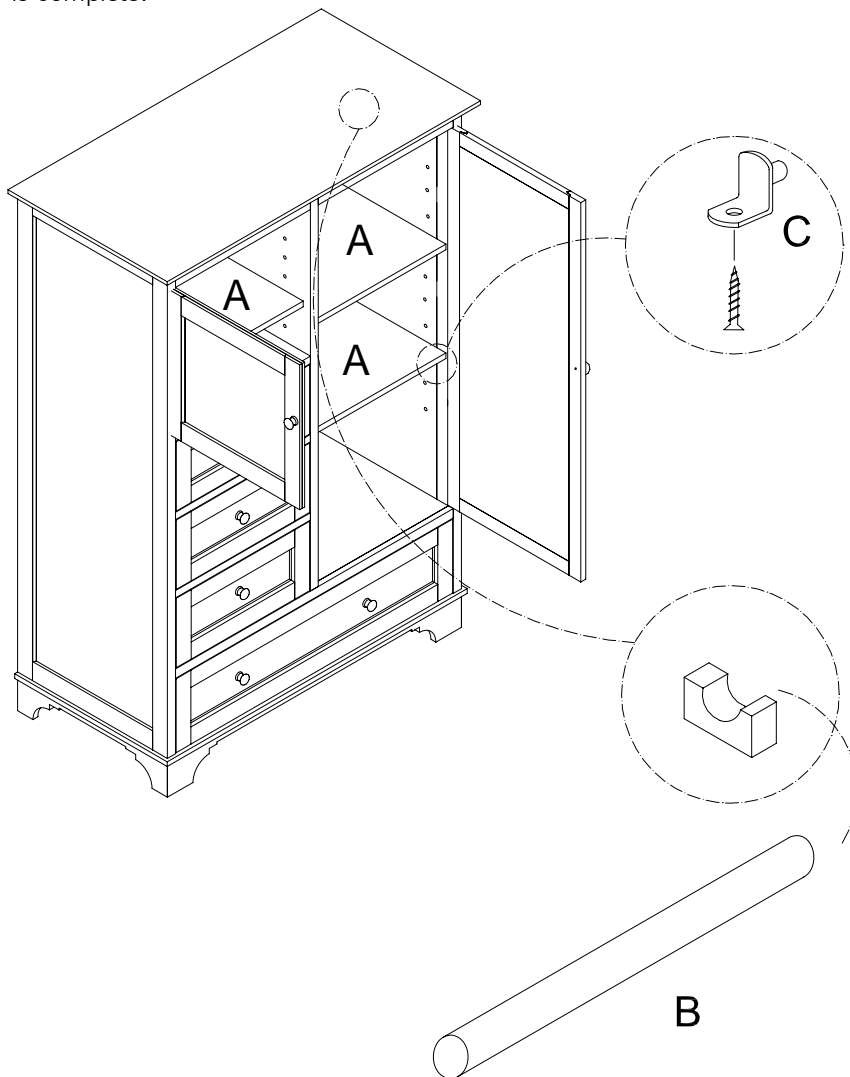
- (1) Chiffonier with:
 - (3) Shelves Pre-Installed - A
- (1) Clothing Rod - B

Hardware Enclosed:

- (7) Glass Knobs

Assembly Instructions:

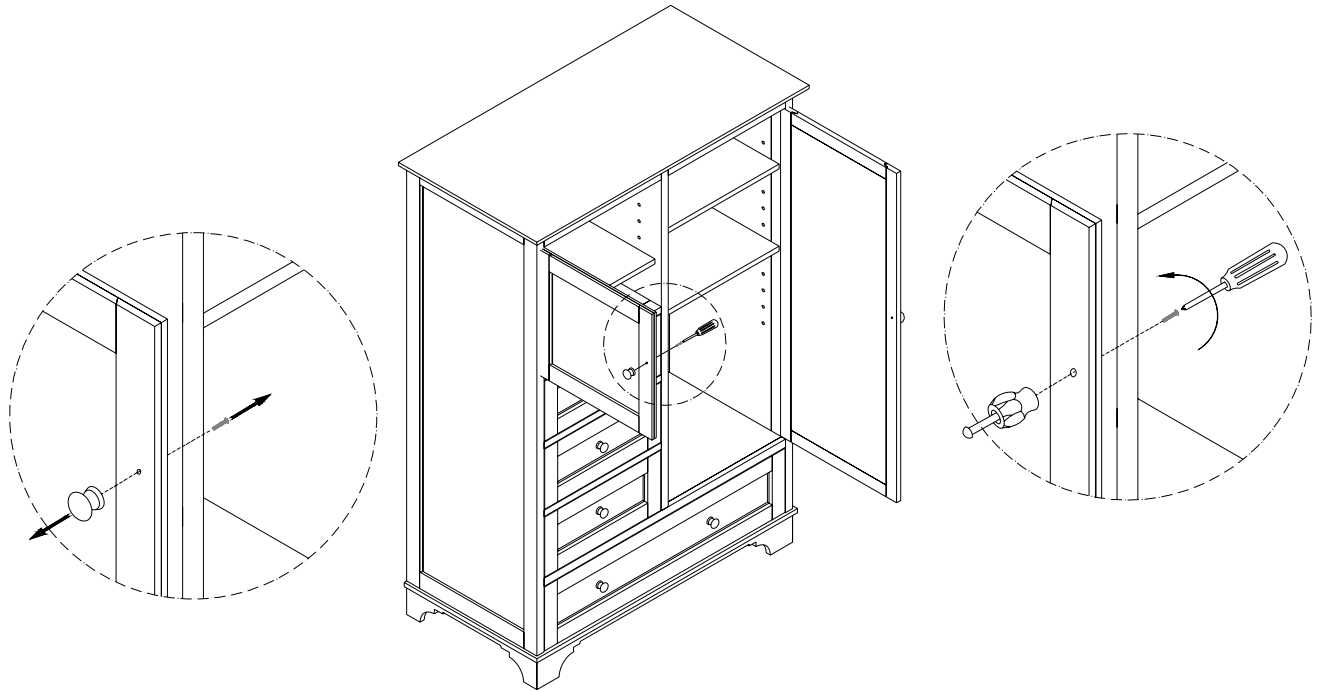
1. Shelves have been pre-installed using (12) shelf pegs and (12) Phillips screws (C). (See illustration below).
2. To install the clothing rod (B):
 - Locate the clothing rod supports in the cabinet interior
 - Place the clothing rod directly onto the supports
 - To utilize as a wardrobe: Remove Phillips screws, shelves & shelf pegs from cabinet interior.
3. Assembly is complete.



Instructions for replacing wood knobs with glass knobs:

1. To detach the wooden knobs: Carefully hold the wooden knob in place and remove screws from other side of door using Phillips screwdriver. Store knobs for future use.
2. To attach the glass knobs: Hold the glass knob in place at the front of door while aligning it with pre-drilled hole. Insert the nut through the front of the glass knob and the screw from inside as shown. Tighten with screwdriver, turning in a clockwise motion.

Note: Glass knob is fragile. Use caution when attaching or detaching.



Care Instructions:

- Wipe with a soft damp cloth. Wipe dry immediately.
- To protect the finish, avoid the use of chemicals and harsh cleaning agents.