

P O T T E R Y B A R N

Hayden Shade Sconce

Assembly and Installation Instructions

CAUTION:

- **BEFORE INSTALLING FIXTURE, MAKE SURE THE POWER TO THE CIRCUIT IS TURNED OFF AT THE MAIN FUSE BOX / CIRCUIT BREAKER UTILITY BOX.**

Important Safety Instructions:

- These instructions are provided for your safety. It is very important that they are read carefully and completely before beginning the assembly and installation of this lighting fixture.
- We strongly recommend that a professional electrician install all direct wire fixtures.
- THIS PRODUCT MUST BE INSTALLED IN ACCORDANCE WITH THE APPLICABLE INSTALLATION CODES BY A PERSON FAMILIAR WITH THE CONSTRUCTION AND OPERATION OF THE PRODUCT AND THE HAZARDS INVOLVED.
- The lighting fixture is meant for indoor use. It must be connected only to 3-wire, single-phase electrical supply systems (provided with Ground wire or equivalent protection system).
- For your safety, it is strongly recommended that two people install the lighting fixture.
- Light bulb should be centered inside the sconce shade. Making sure it does not touch the shade sides.
- This fixture has been rated for up to one (1) **40-Watt maximum TYPE B standard (candelabra) incandescent light bulb** (not included) or one (1) **9-watt compact fluorescent light bulb** (not included). To avoid the risk of fire, do not exceed the recommended wattage.
- Use with approved Pottery Barn Shades only, having a minimum opening diameter of 3-1/2 inches and a minimum lamp-to-shade spacing of 2 inches.
- The lighting fixture is meant for indoor use, **SUITABLE FOR EITHER DRY OR DAMP LOCATIONS**
- **Save these instructions.**

WARNING:

- **To reduce the risk of fire, electrical shock or personal injury, always turn off light fixture and allow it to cool prior to replacing light bulb.**
- **Do not touch bulb when fixture is turned on. Do not look directly at lit bulb.**
- **Keep flammable materials away from lit bulb.**
- **This lighting fixture contains lead, a chemical known to the State of California to cause cancer, birth defects and other reproductive harm. Wash hands after installing, handling, cleaning or otherwise touching this light fixture.**

Pre-assembly:

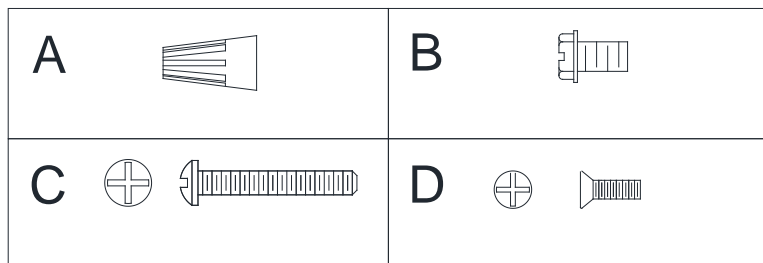
- Remove all parts and hardware from box along with any plastic protective packaging.
- Do not discard any contents until after assembly is complete to avoid accidentally discarding small parts or hardware.
- For your safety and convenience, assembly by two people is recommended.

Parts Included:

- (1) Canopy (E)
- (1) Shade (F)
- (1) Socket Ring (G)
- (1) Socket (H)
- (1) Mounting Plate (I)

Hardware Enclosed:

- (3) Plastic Wire Nut Connectors (A)
- (1) Green Ground Screw (B)
- (3) Mounting Screws (C) (includes (1) extra)
- (4) Canopy Screws (D)



Tools Required: (not included): Step Ladder, Phillips Head & Flat Blade Screwdrivers, Wire Cutter/Stripper & Electrical Tape.

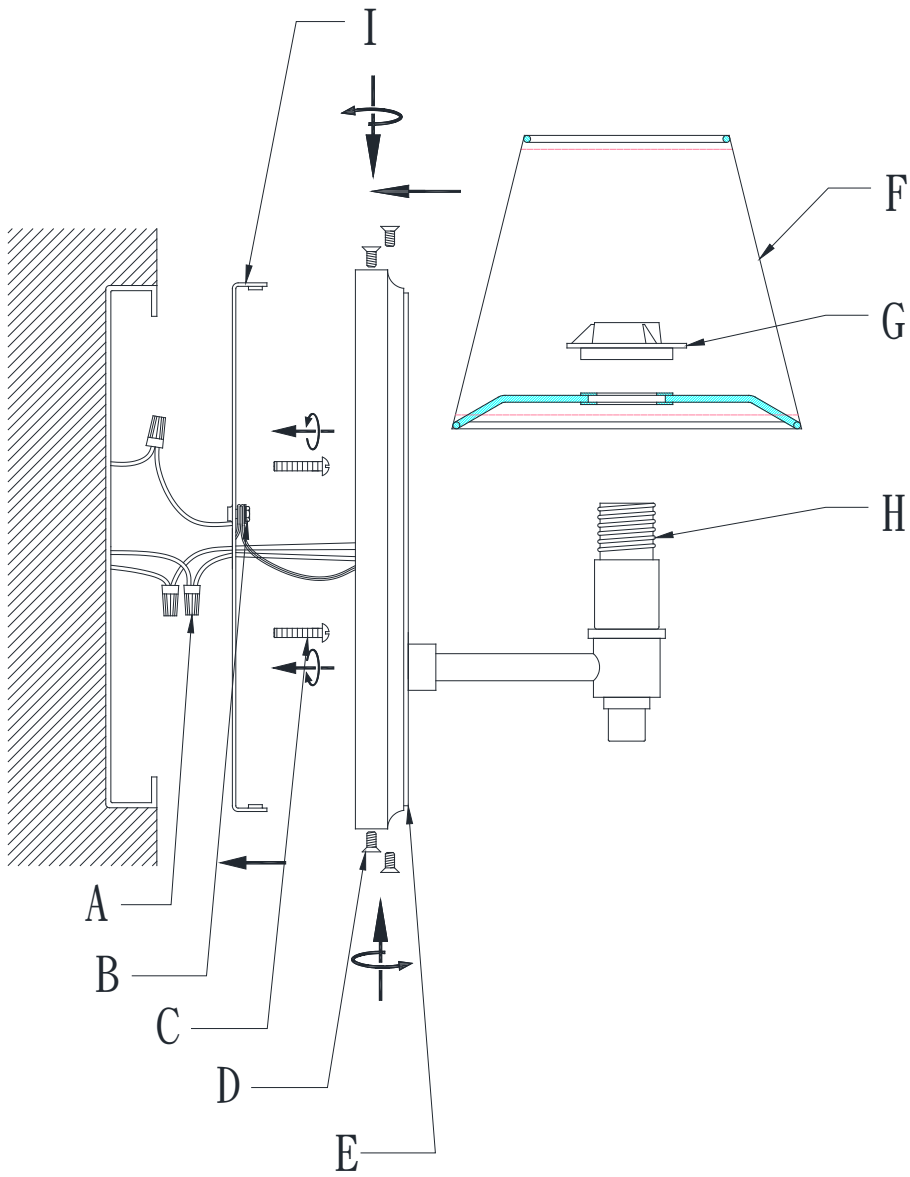
Assembly & Installation Instructions:

1. **SHUT OFF THE MAIN ELECTRICAL SUPPLY FROM THE MAIN FUSE BOX/CIRCUIT BREAKER!**
2. Carefully unpack all fixture parts and hardware and lay out on a clear workspace.
3. Separate the Mounting Plate (I) from the Canopy (E) by removing 4 Canopy Screws (D). Do not discard the Canopy Screws (D) as these will be used later.
4. Gently pull the existing wire down from the junction box and allow wires to hang through center opening of Mounting Plate (I). The HOT or LIVE wire is usually black. The NEUTRAL wire is usually white. Check to see if there is a ground wire that is usually green or green with a yellow stripe or exposed copper metal wire. If needed, use a pair of wire strippers to remove about 1/2 inch of insulation from each wire.
5. Attach the Mounting Plate (I) to the wall outlet box using the two J-box Mounting Screws (C). Align the slots of the Mounting Plate (I) with the two threaded holes located on the J-Box. Use a screwdriver to tighten each screw with a screwdriver until the Mounting Plate (I) is firmly secured to the J-Box
6. Carefully inspect the fixtures wires. The NEUTRAL FIXTURE WIRE is White. The HOT FIXTURE WIRE is Black. The BARE COPPER WIRE is the GROUND WIRE. If you have any doubt and cannot identify the power-supply wires with confidence, then we recommend that you ask an electrician and that you not continue with the installation.
7. With the help of another person to hold the weight of the light fixture, attach the GROUND WIRE from the fixture to the GROUND JUNCTION BOX WIRE from the outlet junction box (J-box) (usually green insulation or bare wire). Fasten each together with a Plastic Wire Nut Connector (A) by twisting the connector in a clockwise direction and wrap the connection with electrical tape. Be sure that no wire strands are exposed. If your outlet junction box DOES NOT have a GROUND WIRE, be sure to insert the Green Ground Screw (B) into the Mounting Plate (I), marked as "GND", facing outward and wrap the fixture's bare ground wire around the Green Ground Screw (B). Tighten screw to clamp ground wire between ground screw head and Mounting Plate (I). **IT IS IMPERATIVE THAT THE JUNCTION BOX IN YOUR HOME BE PROPERLY GROUNDED!**
8. Connect the NEUTRAL FIXTURE WIRE to the NEUTRAL JUNCTION BOX WIRE (usually white insulation). Fasten each together with a Plastic Wire Nut Connector (A) by twisting the connector in a clockwise direction and wrap the connection with electrical tape. Be sure that no wire strands are exposed.

9. Connect the HOT FIXTURE to the HOT JUNCTION BOX WIRE (usually black insulation). Fasten each together with a Plastic Wire Nut Connector (A) by twisting the connector in a clockwise direction and wrap the connection with electrical tape. Be sure that no wire strands are exposed. **DO NOT REVERSE THE HOT AND NEUTRAL CONNECTIONS OR SAFETY WILL BE COMPROMISED.**
10. Check the wiring connections and if all looks good, gently tuck the wire connections neatly into the junction box.
11. Position Canopy (E) over the Mounting Plate (I), aligning the 4 holes on the Canopy (E) with the 4 threaded holes on Mounting Plate (I). Insert the 4 Canopy Screws (D) and tighten each with a screwdriver until secure.
12. Unscrew the Socket Ring (G) from the Socket (H) and set it aside.
13. Place the Shade (F) onto the Socket (H) and secure the Shade (F) in place by turning the Socket Ring (G) clockwise by hand until tight.(See diagram)
14. Insert one (1) **40-Watt maximum TYPE B standard (candelabra) incandescent light bulb** (not included) or one (1) **9-watt compact fluorescent light bulb** (not included) into the Socket (H). **DO NOT EXCEED SPECIFIED WATTAGE.**
15. Restore power to junction box and test fixture.
16. Assembly and installation is complete.

Care Instructions:

- Wipe clean with a soft, dry cloth or static duster.
- Always avoid the use of harsh chemicals or abrasive cleaners as they may cause damage to the fixture's finish.



Thank you for your purchase
Stores | Catalog / www.potterybarn.com
USA 1.800.290.8181