

POTTERY BARN

STINSON LINEN CLOSET

Assembly Instructions

Pre-Assembly:

- Please read all instructions carefully before beginning assembly.
- For your safety, assembly by two people is recommended.

Hardware enclosed:

- (12+2) Shelf pegs (a)

Parts enclosed:

- (3) Shelves (B)

Assembly Instructions:

1. Determine the desired height for each shelf. Insert the shelf pegs (a) into the pre-drilled holes as shown (Fig.1).
2. Carefully insert the shelves (B) into the cabinet and gently rest the shelves onto the pegs as shown (Fig.2).

Fig.1

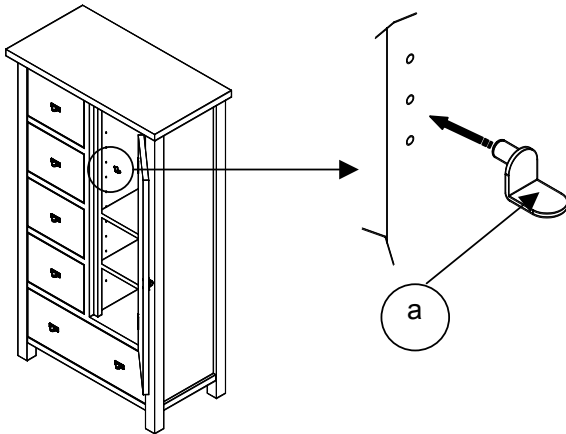
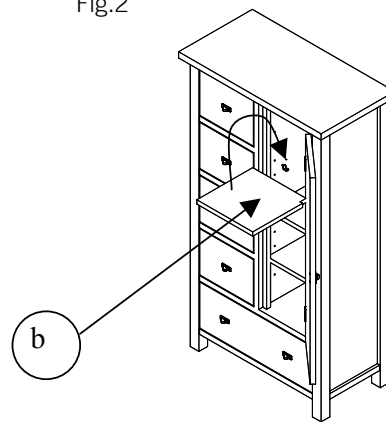
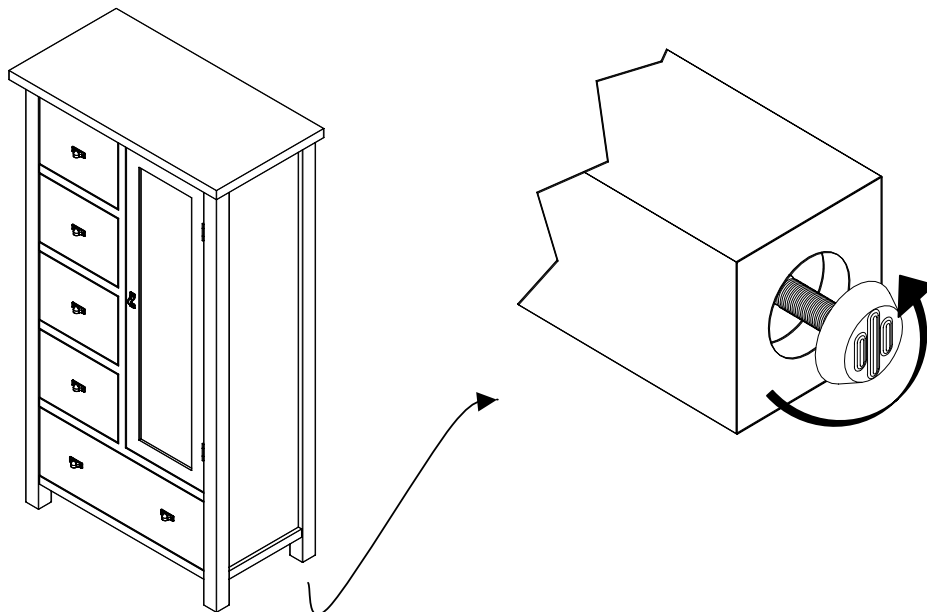


Fig.2



The cabinet may not sit level due to uneven floors. If this occurs, follow the steps below:

- **If left side does not touch the floor:** Carefully grasp the left side of the cabinet. Elevate it slightly to provide access to the levellers attached to the base of the LEFT legs. Turn the levellers in a counter-clockwise direction. Carefully return cabinet to its upright level position.
- **If right side does not touch the floor:** Carefully grasp the right side of the cabinet. Elevate it slightly to provide access to the levellers attached to the base of the RIGHT legs. Turn the levellers in a counter-clockwise direction. Carefully return cabinet to its upright level position.
- If the cabinet is still not level, repeat the above steps.



Care Instructions:

- Use a soft dry or slightly damp cloth to clean daily.
- Wipe up spills immediately.
- To protect the finish, avoid the use of chemical and abrasive cleaners.