

P O T T E R Y B A R N

Sussex Double Sconce Assembly Instructions

Important Safety Instructions:

- These instructions are provided for your safety. It is very important that they are read completely before beginning the installation of your fixture.
- We strongly recommend that a professional electrician install all direct wired fixtures.
- This fixture has been rated for up to two (2) **60-watt maximum TYPE A standard light bulbs** (not included) or two (2) **13-watt compact fluorescent light bulbs** (not included). To avoid the risk of fire, do not exceed the recommended wattage.

WARNING: This lighting fixture contains lead, a chemical known to the State of California to cause cancer, birth defects and other reproductive harm. Wash hands after installing, handling, cleaning or otherwise touching this light fixture.

Parts Included:

- Lighting fixture including:
 - (1) Light base (A)
 - (2) Sockets (B)
 - (2) Glass shades (C)
 - (2) Socket cups (D)
 - (1) Mounting plate (E)

Hardware included:

- (8) Shade thumbscrews (F)
- (2) Mounting plate screws (G)
- (3) Base screws (H)

To Install You Will Need:

- Phillips screwdriver/Flat screwdriver
- (3) Plastic wire connectors (Enclosed)
- Electrical tape

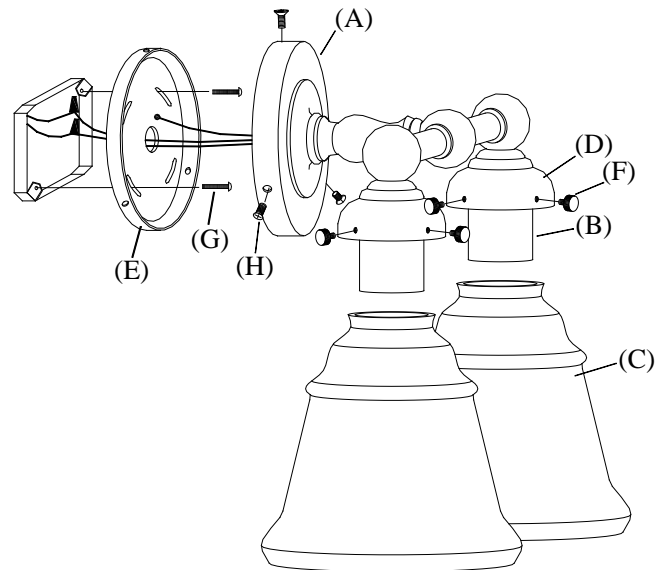
Pre-assembly:

- Remove all parts and hardware from box along with any plastic protective packaging and lay the items out on a clear work surface.
- Do not discard any contents until after assembly is complete to avoid accidentally discarding small parts or hardware.

NOTE: THIS FIXTURE CAN BE MOUNTED WITH ITS SHADE FACING UP OR DOWN

Installation Instructions:

1. **SHUT OFF THE MAIN ELECTRICAL SUPPLY FROM THE MAIN FUSE BOX/CIRCUIT BREAKER!**
2. Remove the mounting plate (E) from the base of the lighting fixture (A) by unscrewing the base screws (H).
3. Gently pull the wiring from the wall outlet box and allow the wires to hang. Thread the wires through the center hole in the mounting plate.
4. Affix the mounting plate to the wall outlet box with the mounting plate screws provided (G).
5. Wrap the ground wire (green) to around the ground screw found on the mounting plate or connect it to the ground wire found in the wall outlet box (usually green or copper in color). If attaching to ground wire in outlet box, fasten together with a plastic wire connector and tightly wrap the connection with electrical tape to seal the connector. **IT IS IMPERATIVE THAT THE OUTLET BOX IN YOUR HOME BE PROPERLY GROUNDED.**
6. Connect two neutral (white) fixture wires to the neutral (usually white) outlet wire. Fasten together with a plastic wire connector and tightly wrap the wire connector with electrical tape.
7. Repeat this procedure with the hot (black) wires. Always make sure that no wire strands are left outside the connectors. **DO NOT REVERSE THE HOT AND NEUTRAL CONNECTIONS OR SAFETY WILL BE COMPROMISED.**
8. Attach the lighting fixture base (A) to the affixed mounting plate (E) by aligning the holes and inserting the base screws (H). Tighten with a screwdriver.
9. Remove the shade thumbscrews (F) found attached to the shade cup (D).
10. Insert glass shades (C) over socket and into shade cup (D) and position properly. While holding shade, replace thumbscrews to secure in place. Do not over-tighten as this can cause glass to be broken.
11. Insert bulbs (not included).
12. Restore power and test fixture. Installation is complete.



Care Instructions:

Lamp base: Wipe with dry cloth only. Avoid the use of all detergents and chemicals.

Glass lampshade: Remove and hand wash only. Do not use cleaners or abrasives. Dry thoroughly before replacing.