

# POTTERY BARN

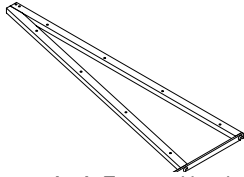
## WHITE BATH LADDER

### Important Safety Instructions:

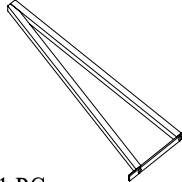
- Please read all instructions carefully and completely before beginning assembly.
- Remove all parts and hardware from boxes along with any protective packaging.
- Save all packing materials until assembly is complete to avoid accidentally discarding smaller parts or hardware.
- Keep all parts and plastic bags out of the reach of children.
- For your safety and ease, assembly by two people is recommended.

Note: To protect the surface, assemble this item on a soft, protected surface such as cardboard or carpet.

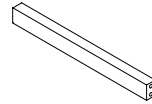
### Parts Included:



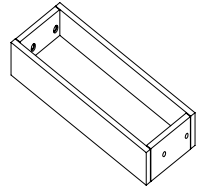
A. A Frame (1pc)



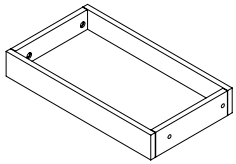
B. B Frame (1pc)



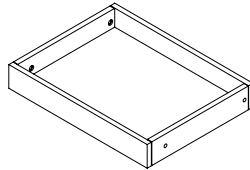
C. Top rail (1pc)



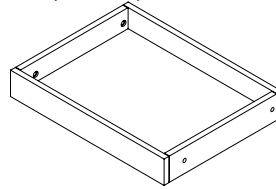
D. Small box (1pc)



E. Middle small box (1pc)



F. Middle larger box (1pc)



G. Largest box (1pc)

### Hardware Included:



1. Wooden dowel (4pcs)



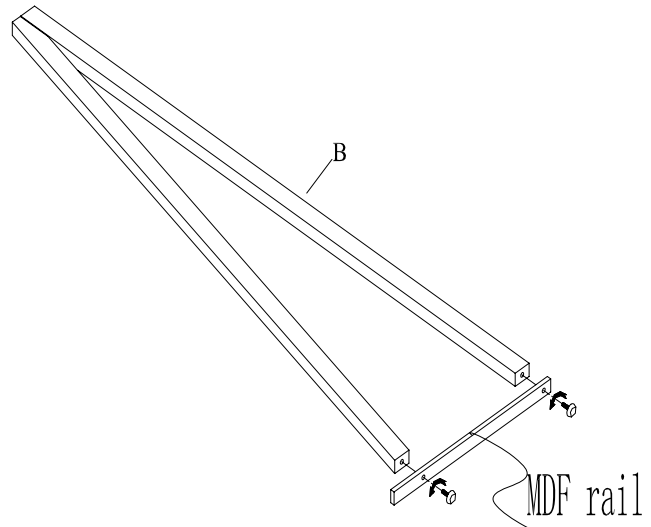
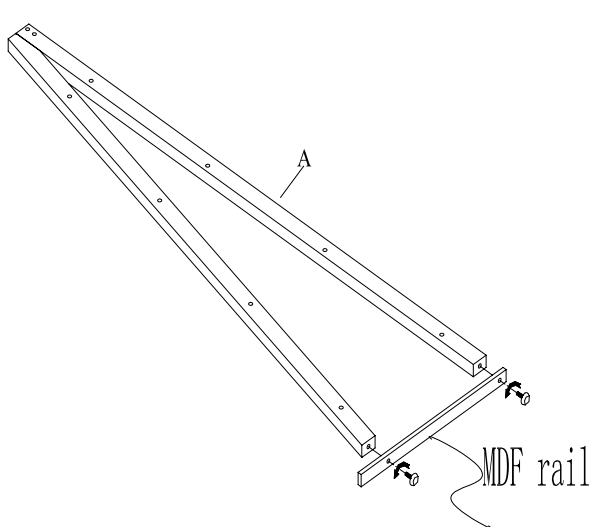
2. Bolt (16pcs)



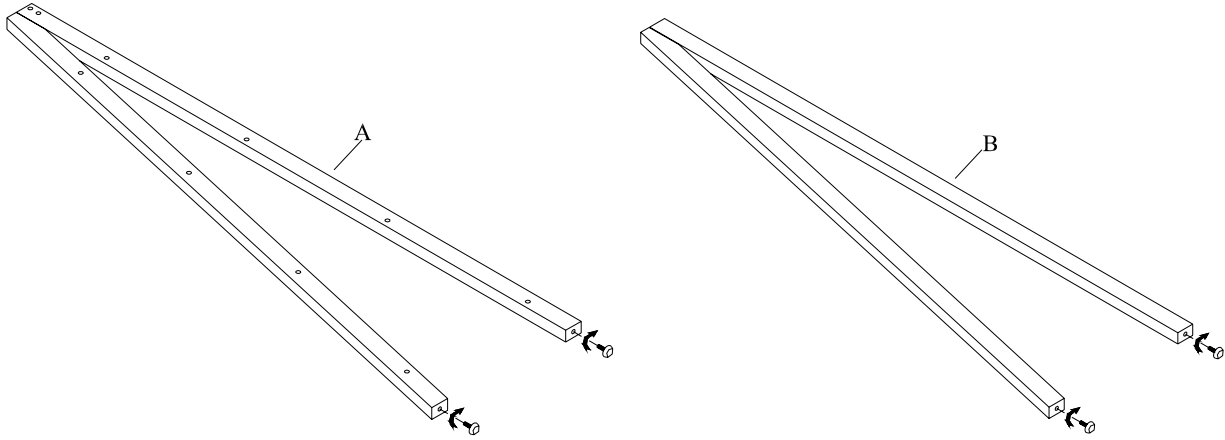
3. Allen key (1pc)

### Assembly Instructions:

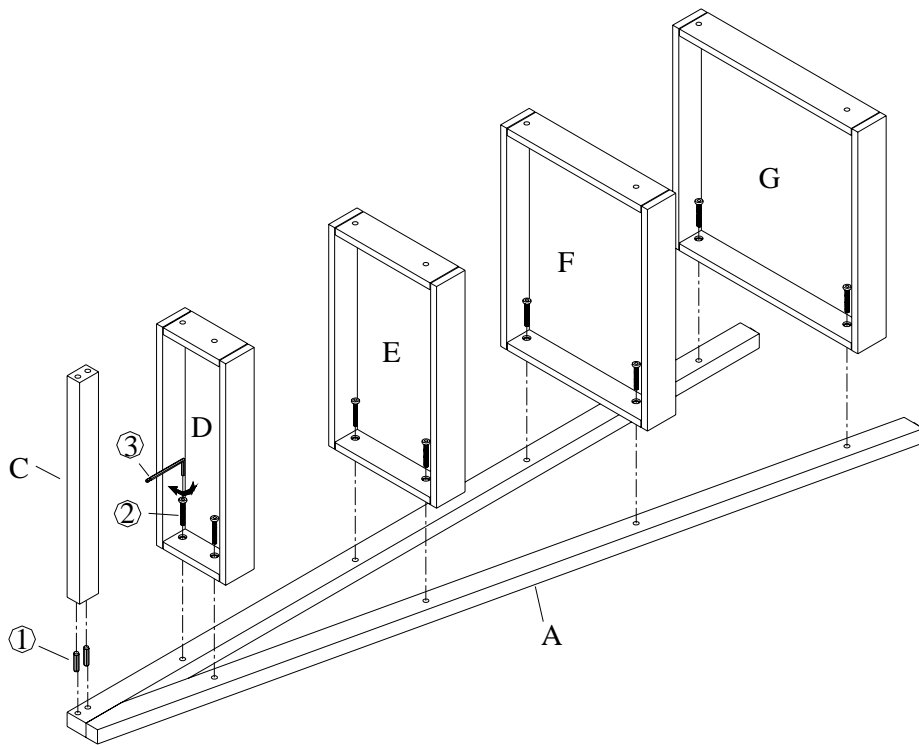
1. Place the frames (A and B) on a soft surface. Remove the pre-attached rail at bottom. This rail is not used for assembly. After removing the rail, install the adjustable levelers by screwing them clockwise into the bottom of the frame.



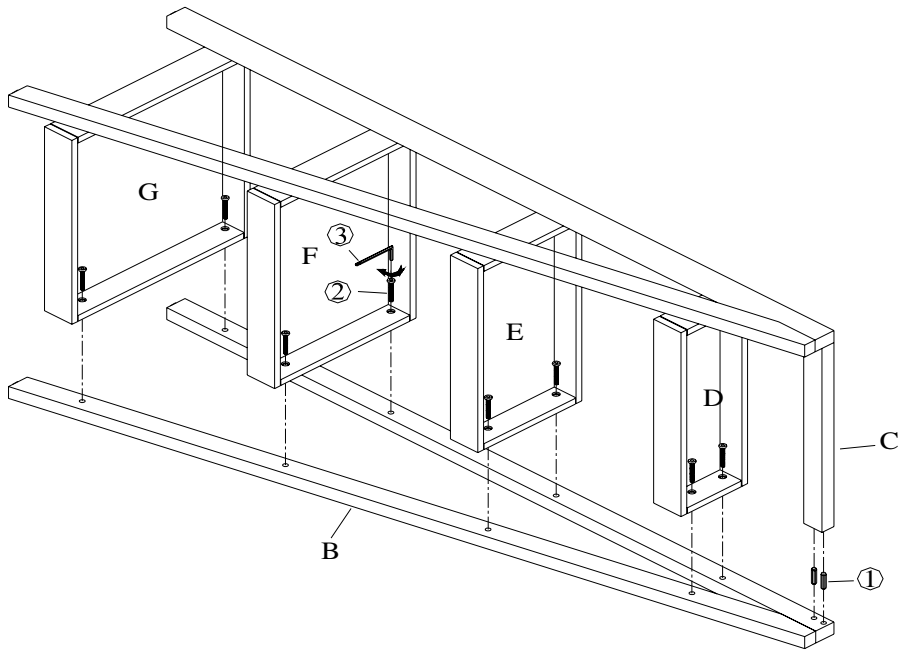
# POTTERY BARN



2. Lay one of the frames (A) on floor and attach the top rail (C) with the dowels. Attach boxes (D, E, F, G) to frame with bolts, tightening with Allen key. Make sure the bolts are inserted completely. Turn the bolts clockwise with Allen key. Place the second frame on floor. With two people, carefully flip the first (A) frame with top rail and boxes attached. Secure the second side with bolts.

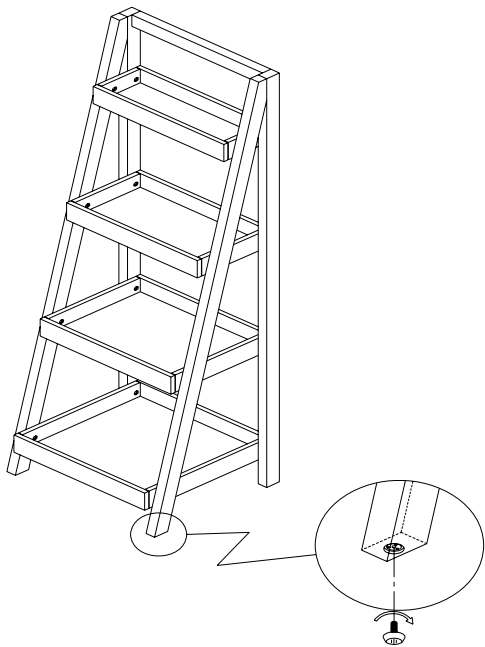


# POTTERY BARN



## Levelers:

The levelers can be adjusted as needed to make sure the ladder is level. Turn counter-clockwise to increase height, clockwise to decrease height.



- ◆Wipe cabinet with a soft, dry cloth.
- ◆To protect the finish, avoid the use of all chemical and household cleaners and abrasives as they may damage finish.

thank you for your purchase  
[stores/catalog/www.potterybarn.com](http://stores/catalog/www.potterybarn.com)