

P O T T E R Y B A R N

Rattan Desk Assembly Instructions

Pre-Assembly:

- Please read all instructions carefully before assembly.
- For your safety and ease, assembly by two people is recommended.
- Carefully lay out and identify all parts and hardware prior to assembly.
- Save all packing materials until assembly is complete to avoid accidentally discarding small parts or hardware.

Parts Included:

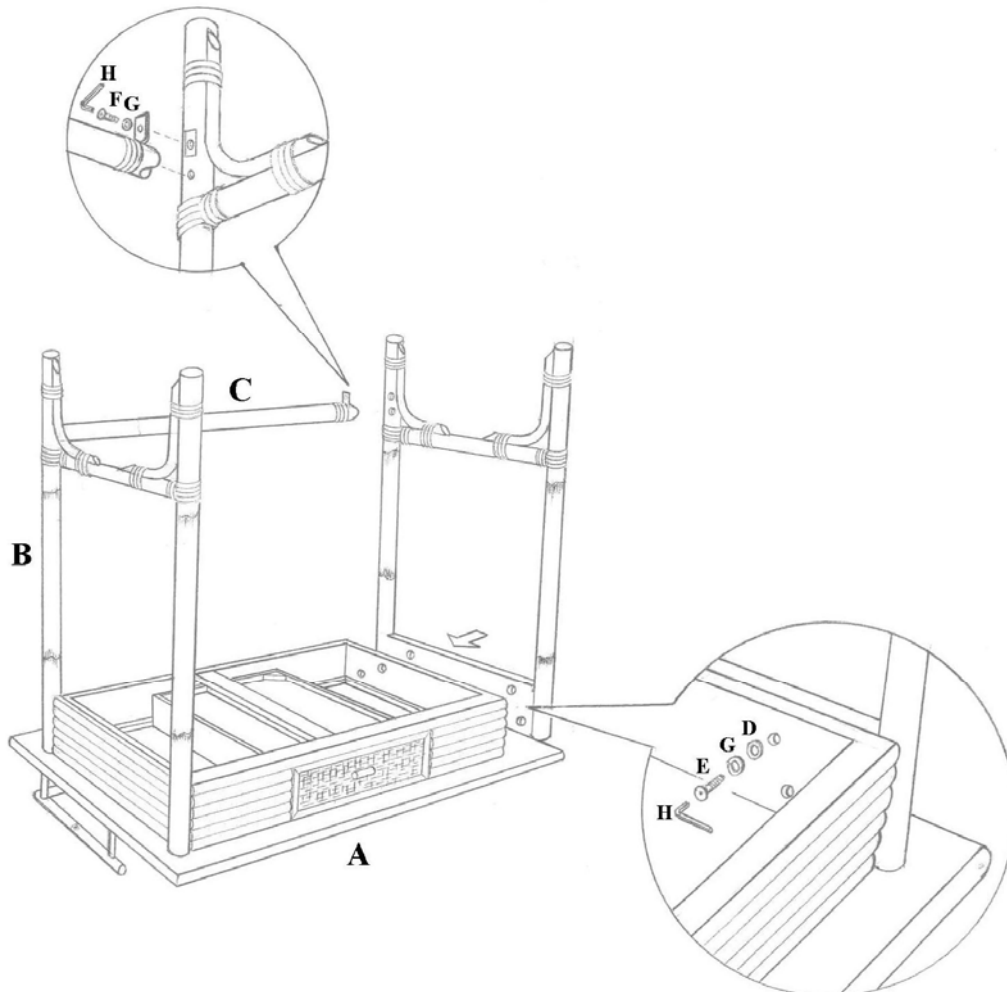
- A (1) Desk Body
- B (2) Side Leg Panels
- C (1) Stretcher

Hardware Included:

- D (8) Flat Washers
- E (8) KD Bolts – Long
- F (2) KD Bolts – Short
- G (10) Spring Washers
- H (1) Allen Key

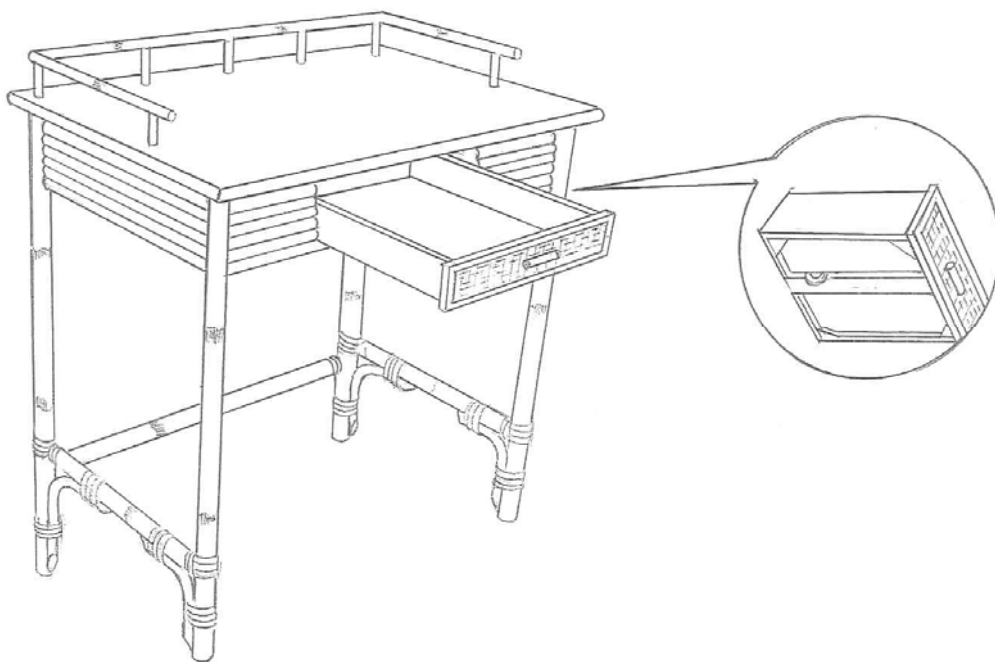
Assembly instructions:

1. Carefully lay desk body (A) upside-down on a flat, scratch-free or carpeted surface. There is a foam padding attached to the desk top to protect railing from damage during assembly. Do not remove it when turning desk body upside-down.
2. Attach side leg panels (B) to desk body. Make sure pre-attached dowels are correctly secured into pre-drilled holes.
3. Insert flat washers (D) followed by spring washers (G) and long KD bolts (E) into the pre-drilled holes. Secure by slightly tightening the long KD bolts (E) with Allen key (H).
4. Attach stretcher (C) to side leg panels. Insert spring washers (G) followed by short KD bolts (F) into the pre-drilled holes. Secure by slightly tightening short KD bolts (F) with Allen key (H).
5. Be sure alignment is correct before fully tightening all bolts.
6. With at least two people, firmly grip desk and turn right side up. Remove foam padding.
7. Assembly is complete.



Drawer Removal Instructions:

1. Grasp drawer and pull partially open
2. Locate plastic drawer stop attached to the wooden drawer runner below the drawer box. Pull out.
3. Remove drawer.
4. Re-engage drawer stop to original position before replacing drawer.



Care Instructions:

- For daily cleaning, dust with a dry, soft cloth.
- Wipe up spills immediately.
- Avoid the use of chemicals and abrasive cleaners.

thank you for your purchase
store | catalog | www.potterybarn.com